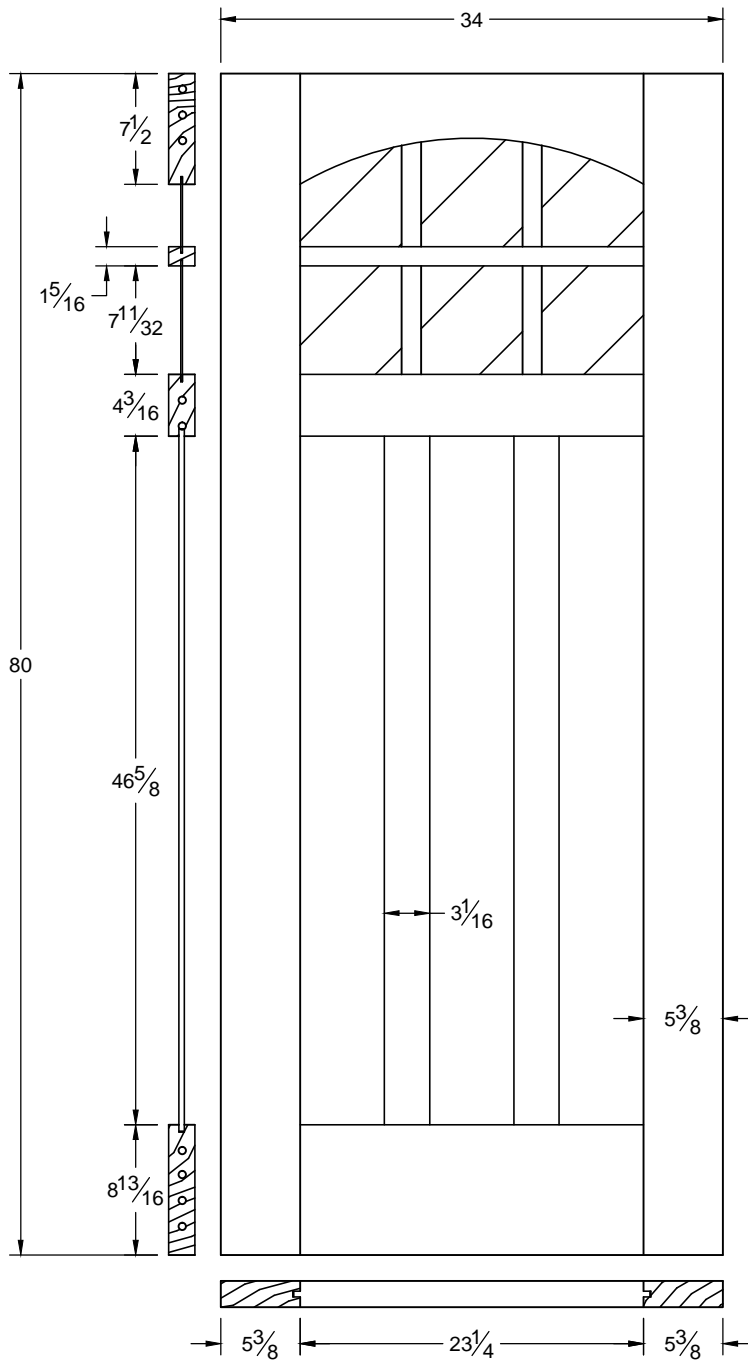


This drawing contains information which is the property of Woodgrain Millwork, Inc. This drawing is received on confidence and contents may not be disclosed without the prior written consent of Woodgrain Millwork, Inc.

**4835**

Draw #:	Shaker 4835_36_80	
Date:	10 - 16 - 14	R1
Drawn By:	T Doughty	



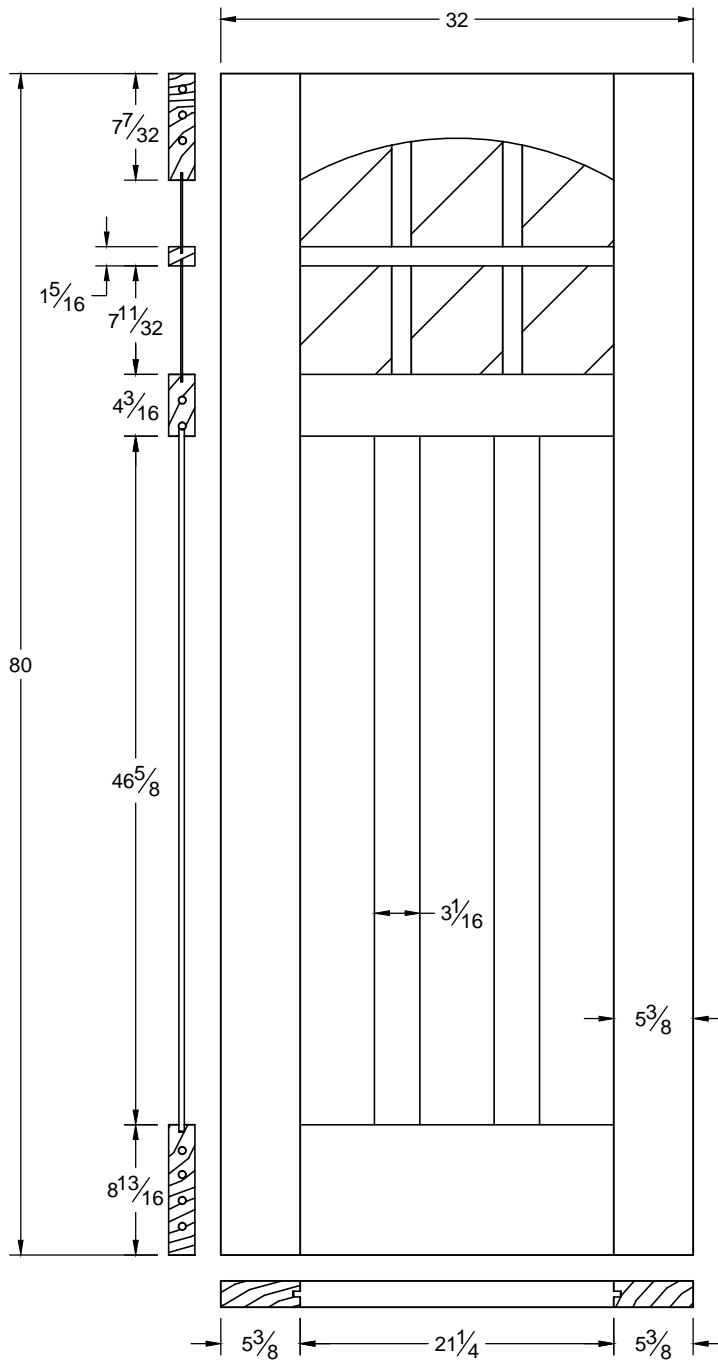


This drawing contains information which is the property of Woodgrain Millwork, Inc. This drawing is received on confidence and contents may not be disclosed without the prior written consent of Woodgrain Millwork, Inc.

4835

Draw #:	Shaker 4835_34_80	
Date:	10 - 16 - 14	R1
Drawn By:	T Doughty	





This drawing contains information which is the property of Woodgrain Millwork, Inc. This drawing is received on confidence and contents may not be disclosed without the prior written consent of Woodgrain Millwork, Inc.

4835

Draw #:	Shaker 4835_32_80	
Date:	10 - 16 - 14	R1
Drawn By:	T Doughty	

