

This drawing contains information which is the property of Woodgrain Millwork, Inc. This drawing is received on confidence and contents may not be disclosed without the prior written consent of Woodgrain Millwork, Inc.

4832

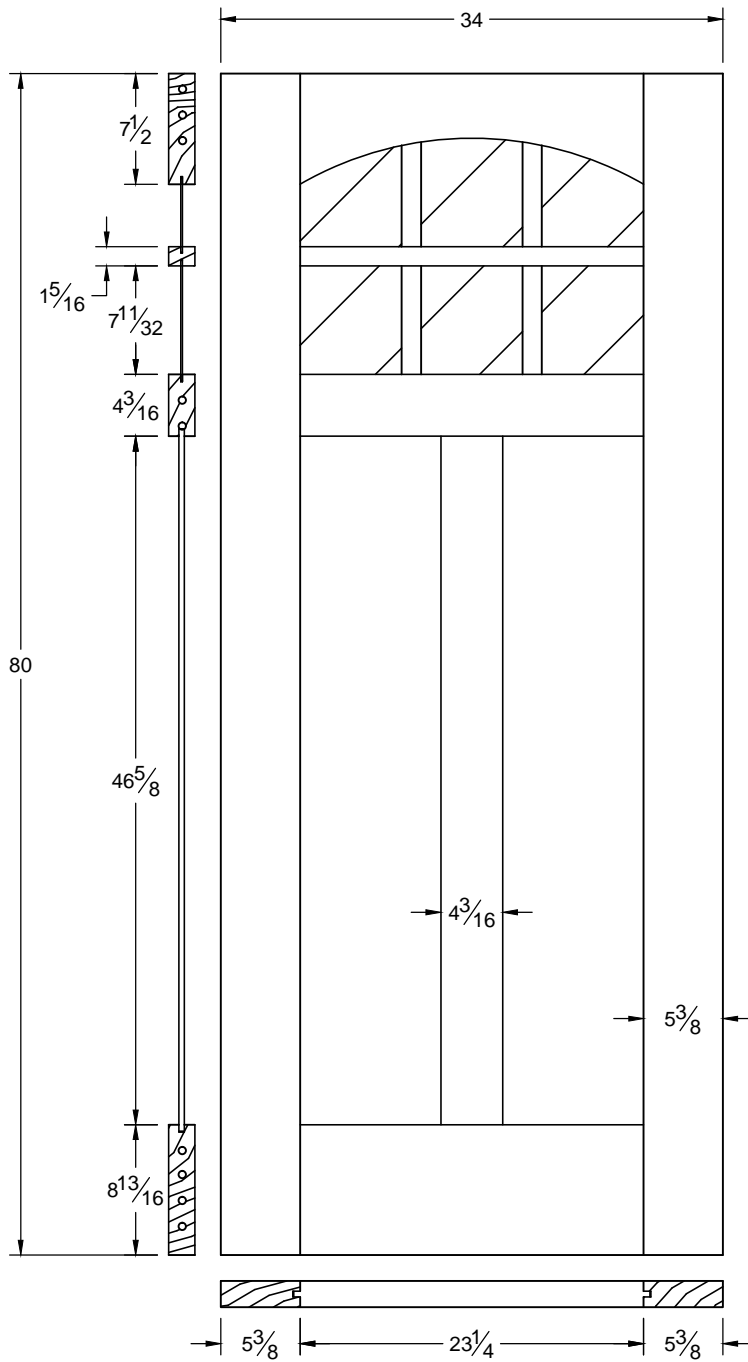
Draw #: Shaker 4832_36_80

Date: 10 - 16 - 14

R1

Drawn By: T Doughty

woodgrain doors

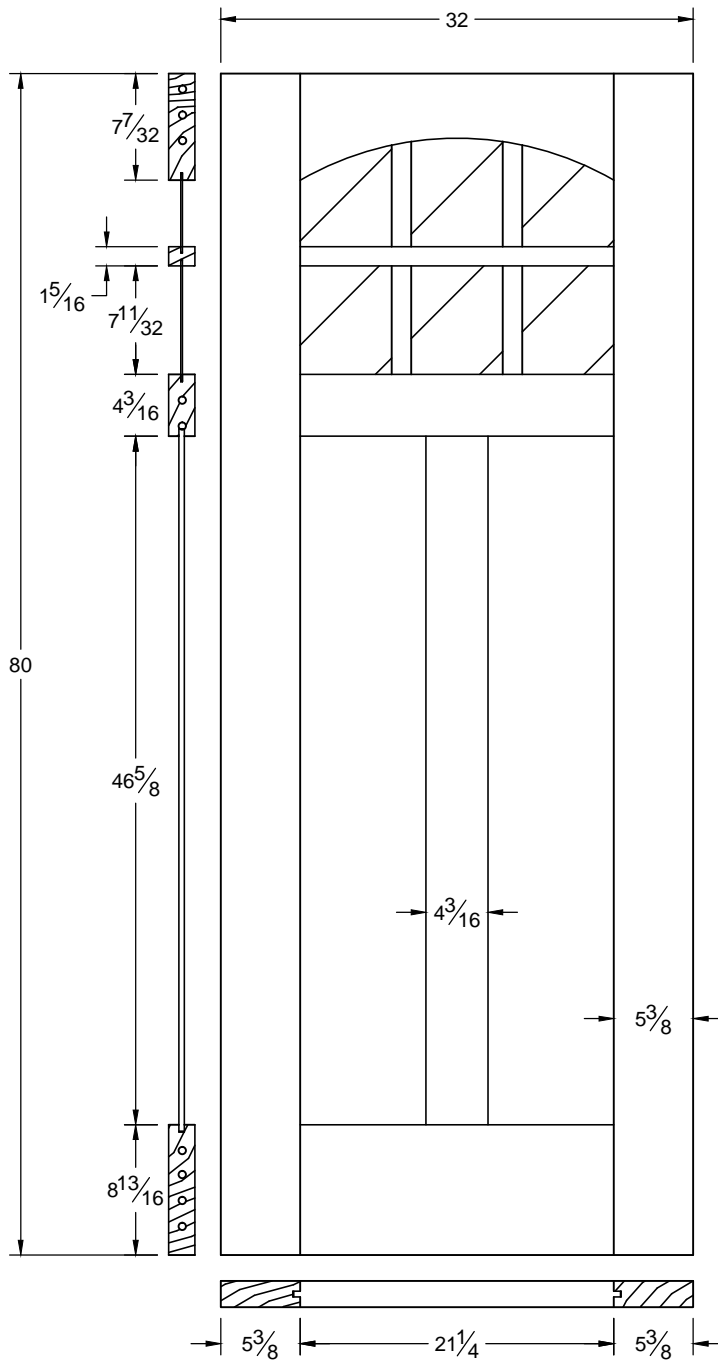


This drawing contains information which is the property of Woodgrain Millwork, Inc. This drawing is received on confidence and contents may not be disclosed without the prior written consent of Woodgrain Millwork, Inc.

4832

Draw #:	Shaker 4832_34_80	
Date:	10 - 16 - 14	R1
Drawn By:	T Doughty	



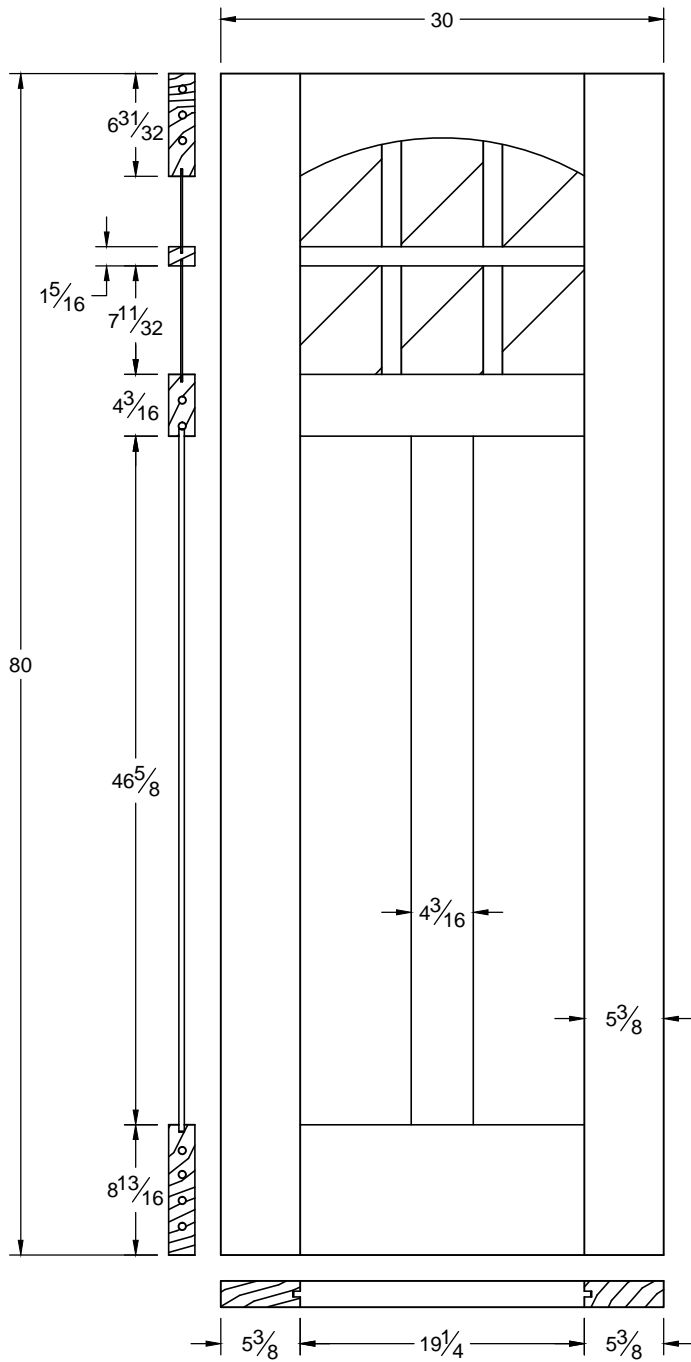


This drawing contains information which is the property of Woodgrain Millwork, Inc. This drawing is received on confidence and contents may not be disclosed without the prior written consent of Woodgrain Millwork, Inc.

4832

Draw #:	Shaker 4832_32_80	
Date:	10 - 16 - 14	R1
Drawn By:	T Doughty	





This drawing contains information which is the property of Woodgrain Millwork, Inc. This drawing is received on confidence and contents may not be disclosed without the prior written consent of Woodgrain Millwork, Inc.

4832

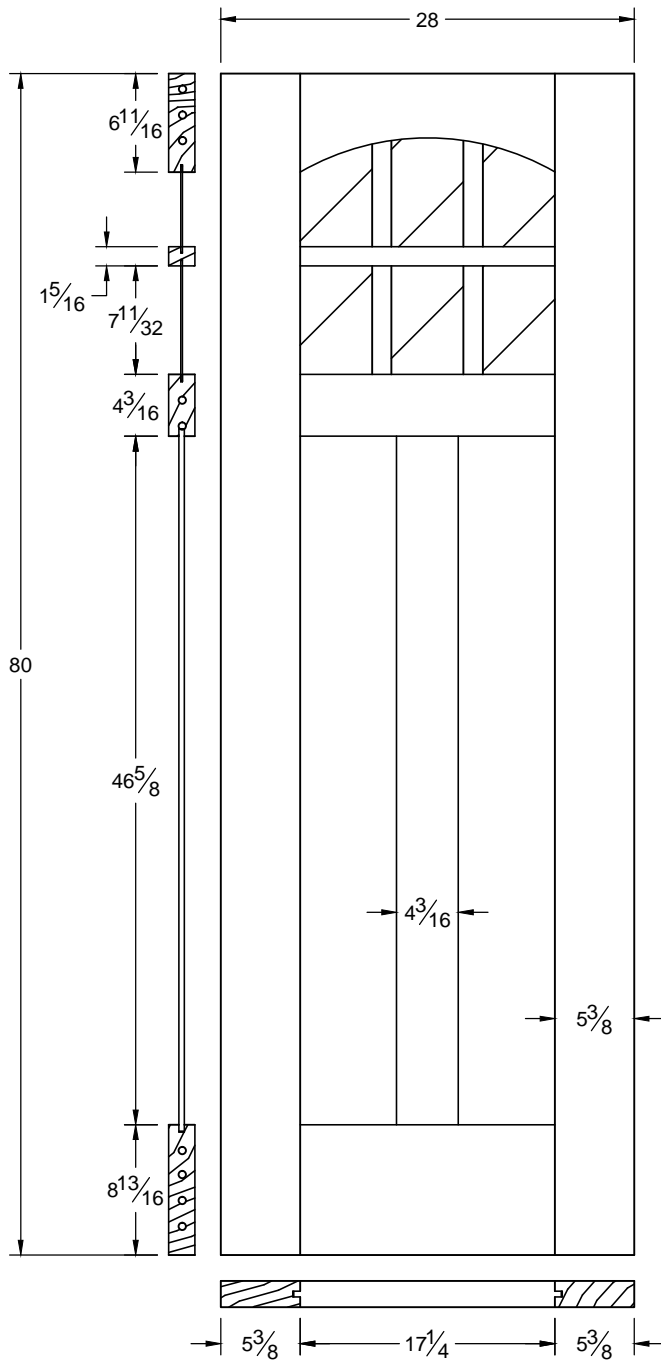
Draw #: Shaker 4832_30_80

Date: 10 - 16 - 14

R1

Drawn By: T Doughty


 woodgrain doors



This drawing contains information which is the property of Woodgrain Millwork, Inc. This drawing is received on confidence and contents may not be disclosed without the prior written consent of Woodgrain Millwork, Inc.

4832

Draw #:	Shaker 4832_28_80	
Date:	10 - 16 - 14	R1
Drawn By:	T Doughty	

