

This drawing contains information which is the property of Woodgrain Millwork, Inc. This drawing is received on confidence and contents may not be disclosed without the prior written consent of Woodgrain Millwork, Inc.

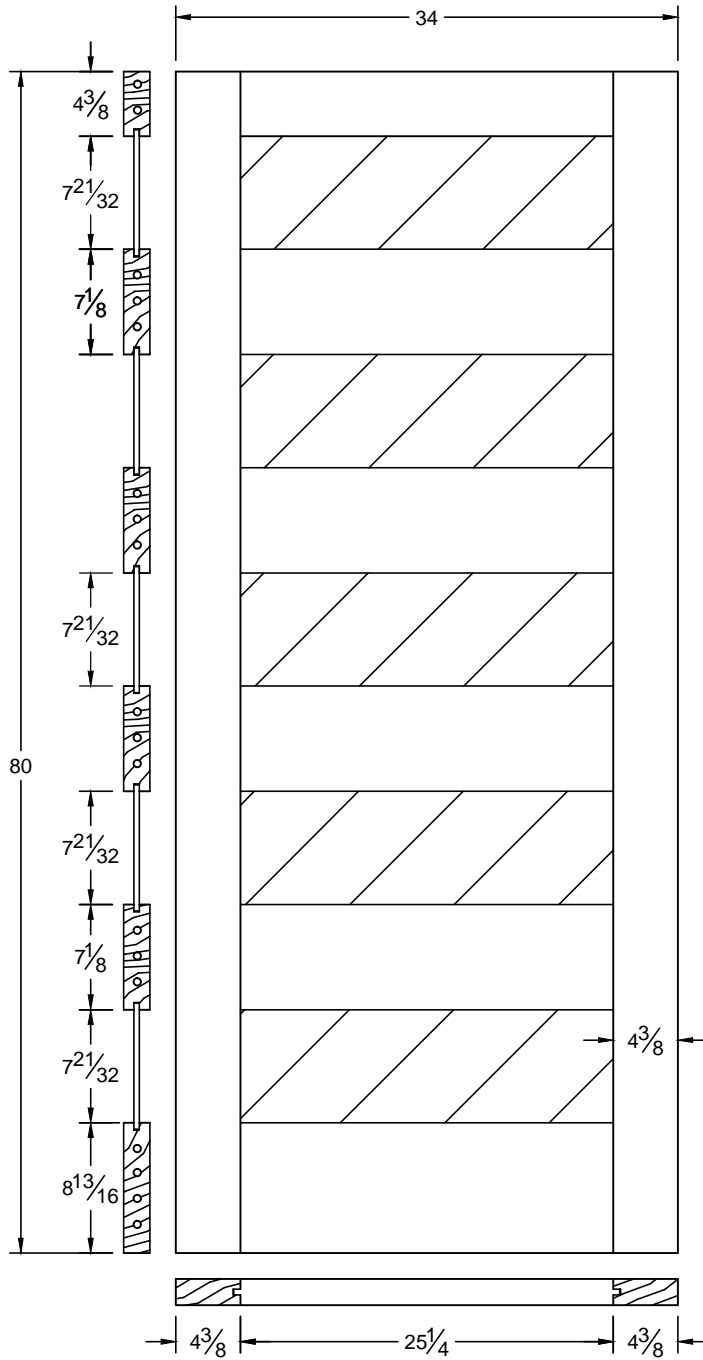
4605W

Draw #: Shaker 4605W_36_80

Date: 10 - 16 - 14 R1

Drawn By: T Doughty



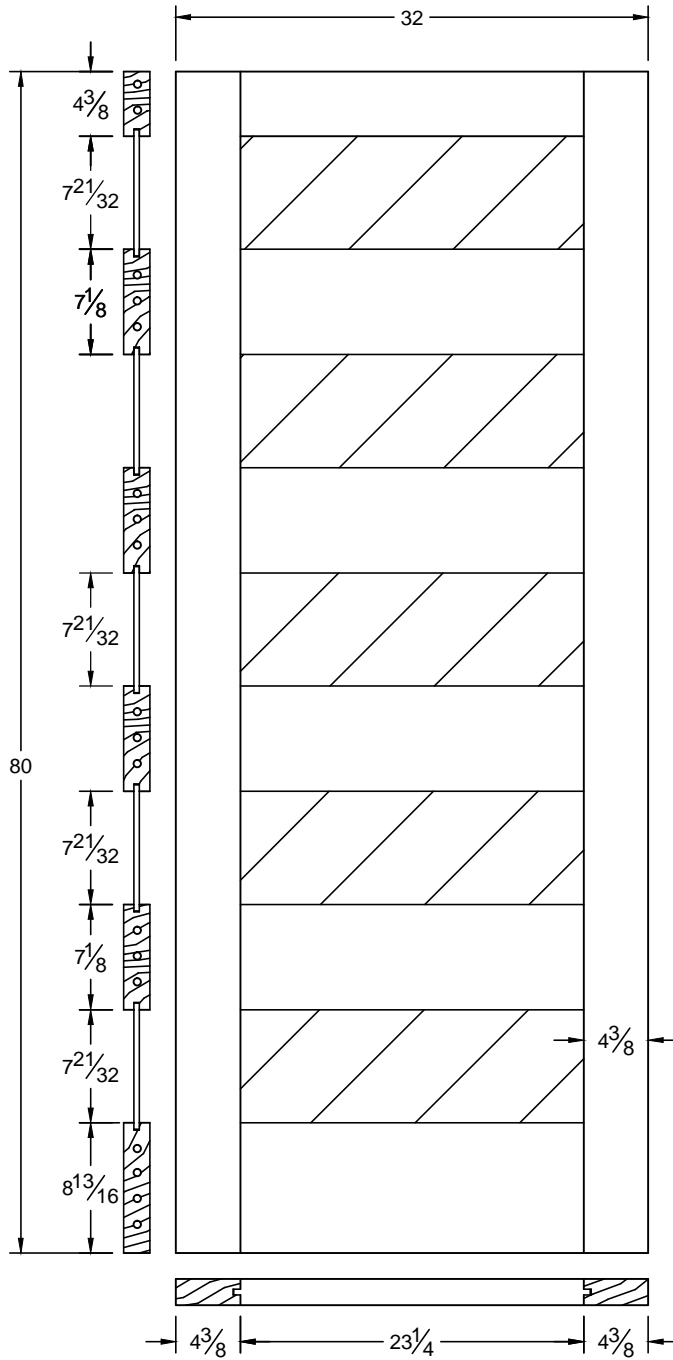


This drawing contains information which is the property of Woodgrain Millwork, Inc. This drawing is received on confidence and contents may not be disclosed without the prior written consent of Woodgrain Millwork, Inc.

4605W

Draw #:	Shaker 4605W_34_80	
Date:	10 - 16 - 14	R1
Drawn By:	T Doughty	



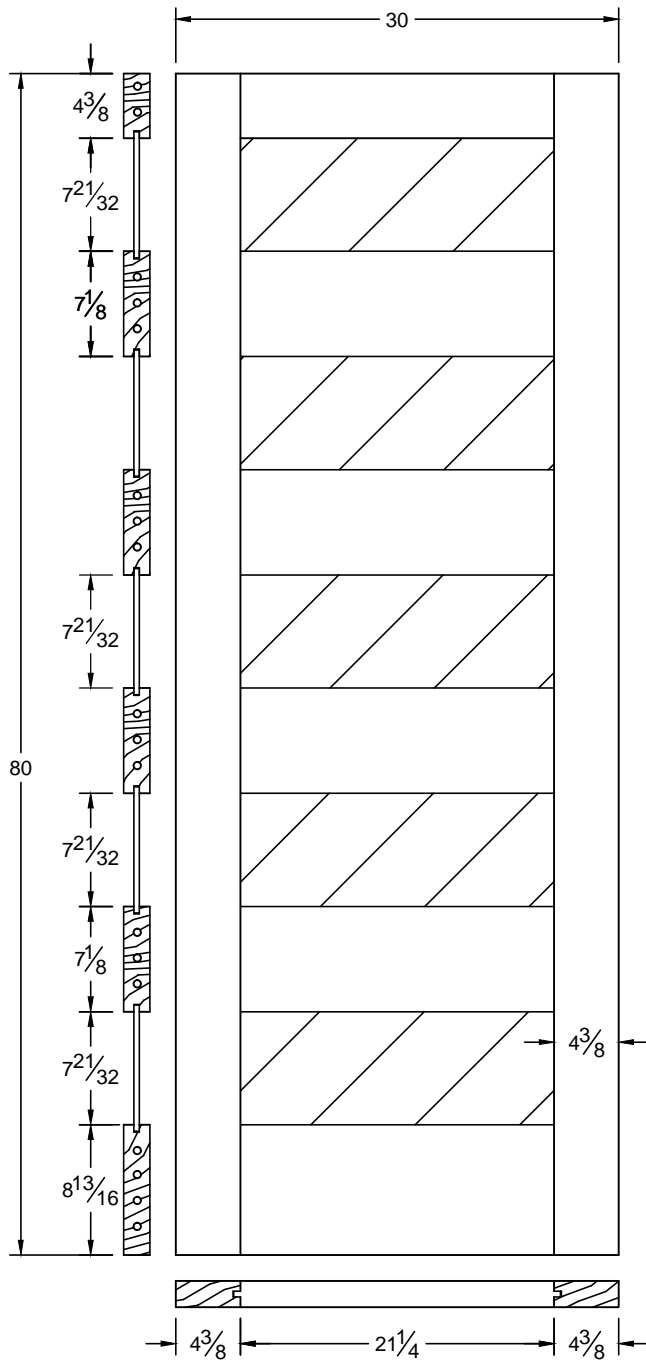


This drawing contains information which is the property of Woodgrain Millwork, Inc. This drawing is received on confidence and contents may not be disclosed without the prior written consent of Woodgrain Millwork, Inc.

4605W

Draw #:	Shaker 4605W_32_80	
Date:	10 - 16 - 14	R1
Drawn By:	T Doughty	



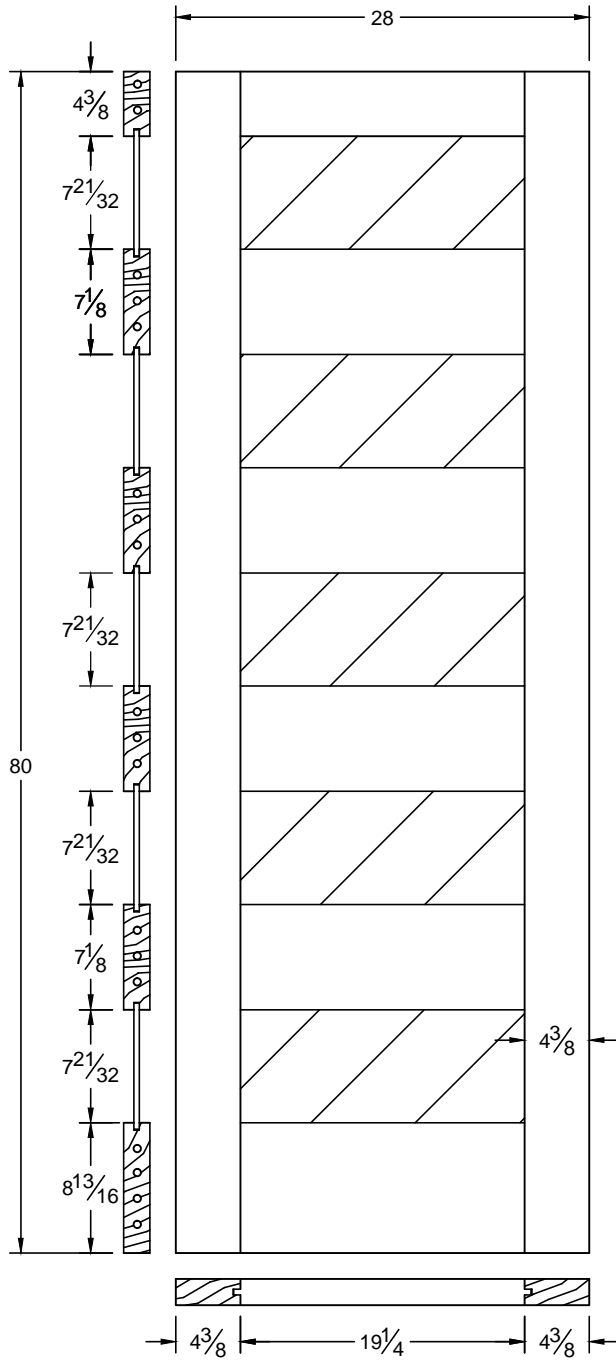


This drawing contains information which is the property of Woodgrain Millwork, Inc. This drawing is received on confidence and contents may not be disclosed without the prior written consent of Woodgrain Millwork, Inc.

4605W

Draw #:	Shaker 4605W_30_80	
Date:	10 - 16 - 14	R1
Drawn By:	T Doughty	



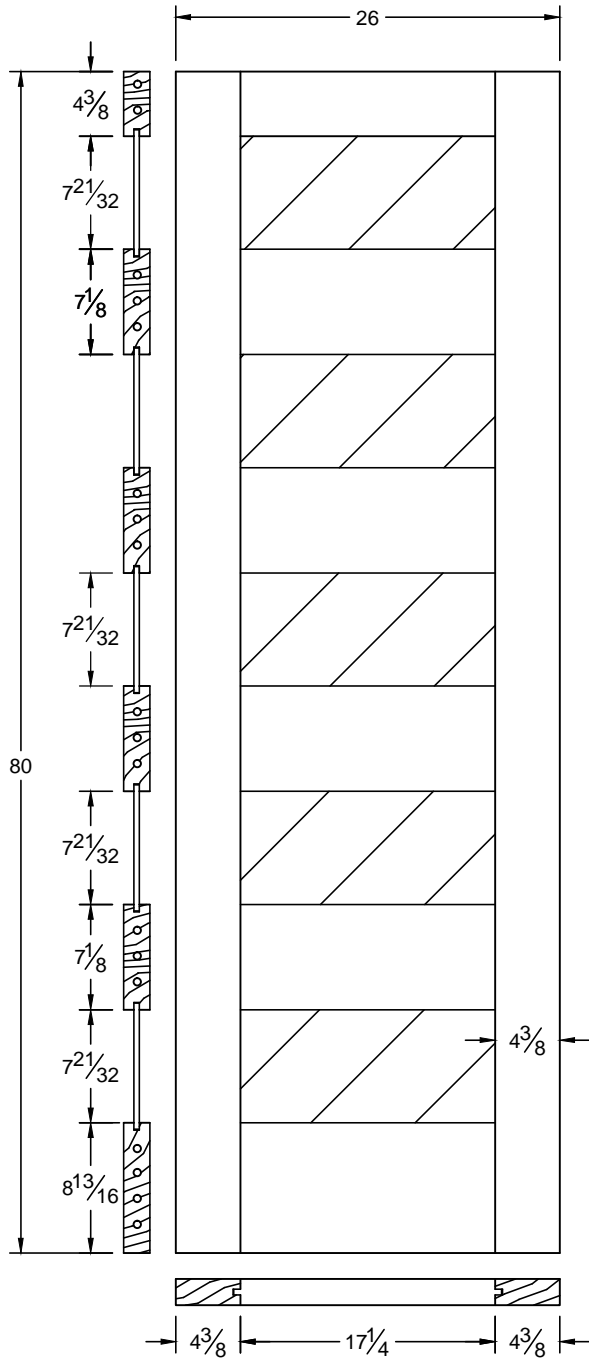


This drawing contains information which is the property of Woodgrain Millwork, Inc. This drawing is received on confidence and contents may not be disclosed without the prior written consent of Woodgrain Millwork, Inc.

4605W

Draw #:	Shaker 4605W_28_80	
Date:	10 - 16 - 14	R1
Drawn By:	T Doughty	



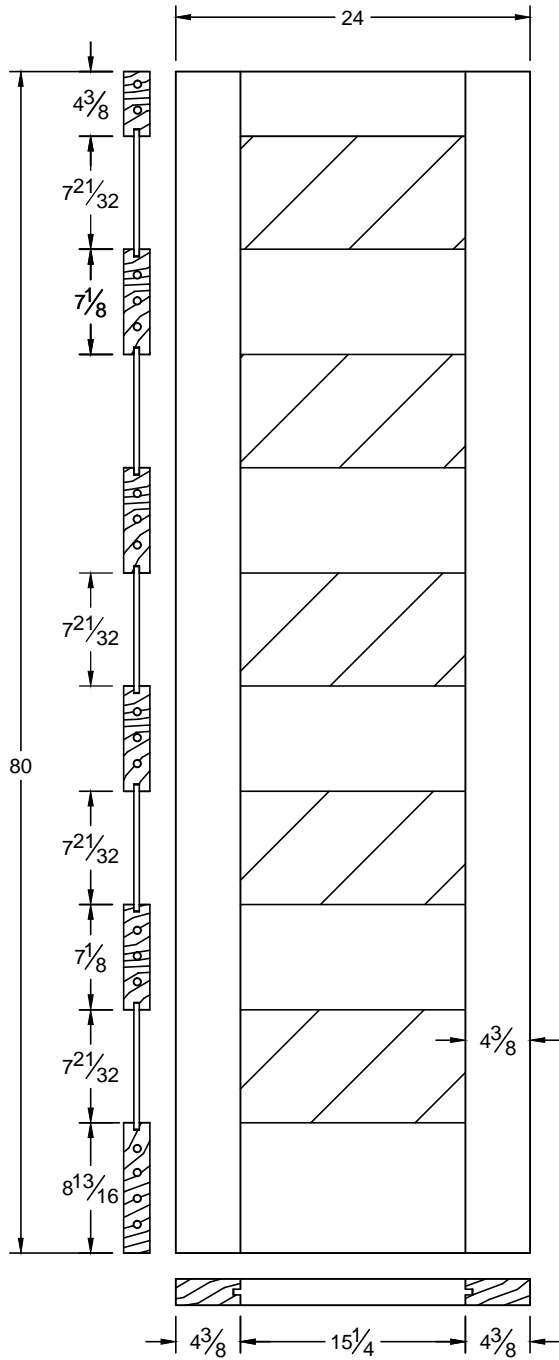


This drawing contains information which is the property of Woodgrain Millwork, Inc. This drawing is received on confidence and contents may not be disclosed without the prior written consent of Woodgrain Millwork, Inc.

4605W

Draw #:	Shaker 4605W_26_80	
Date:	10 - 16 - 14	R1
Drawn By:	T Doughty	



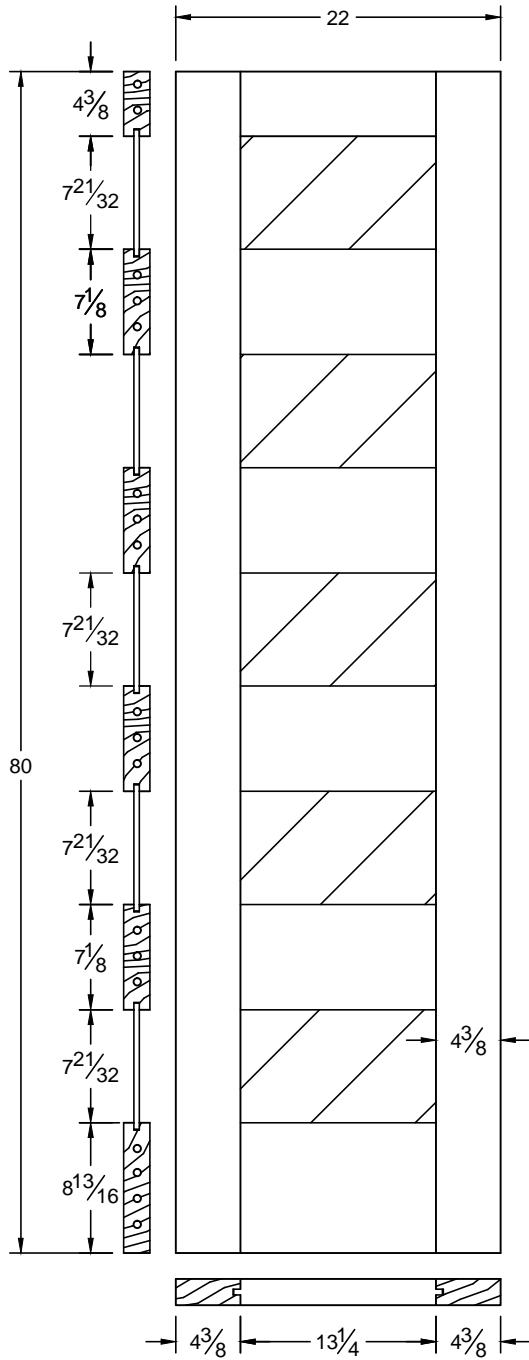


This drawing contains information which is the property of Woodgrain Millwork, Inc. This drawing is received on confidence and contents may not be disclosed without the prior written consent of Woodgrain Millwork, Inc.

4605W

Draw #:	Shaker 4605W_24_80	
Date:	10 - 16 - 14	R1
Drawn By:	T Doughty	





This drawing contains information which is the property of Woodgrain Millwork, Inc. This drawing is received on confidence and contents may not be disclosed without the prior written consent of Woodgrain Millwork, Inc.

4605W

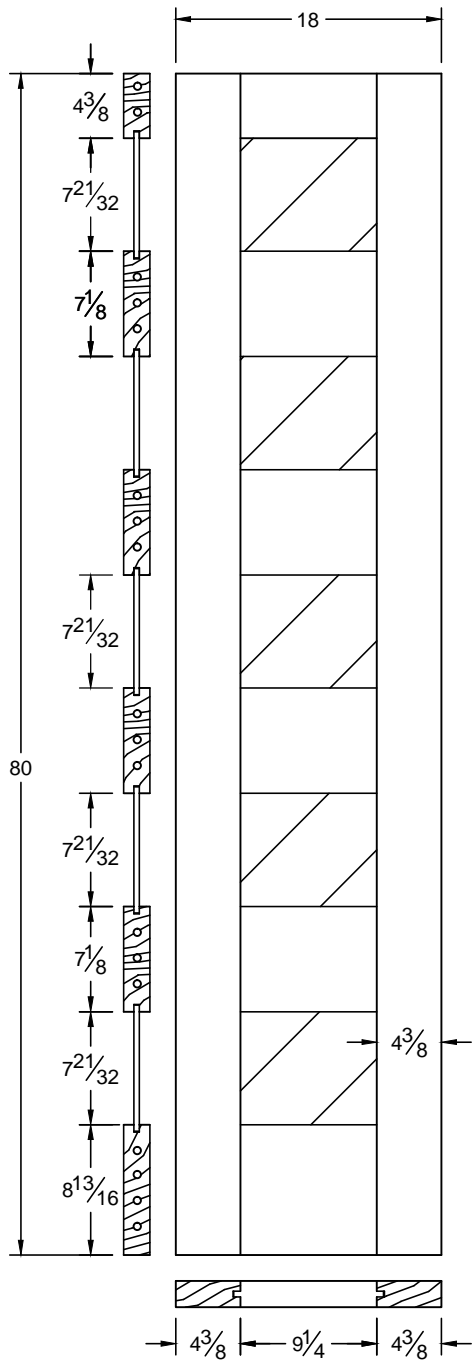
Draw #: Shaker 4605W_22_80

Date: 10 - 16 - 14

R1

Drawn By: T Doughty


woodgrain doors



This drawing contains information which is the property of Woodgrain Millwork, Inc. This drawing is received on confidence and contents may not be disclosed without the prior written consent of Woodgrain Millwork, Inc.

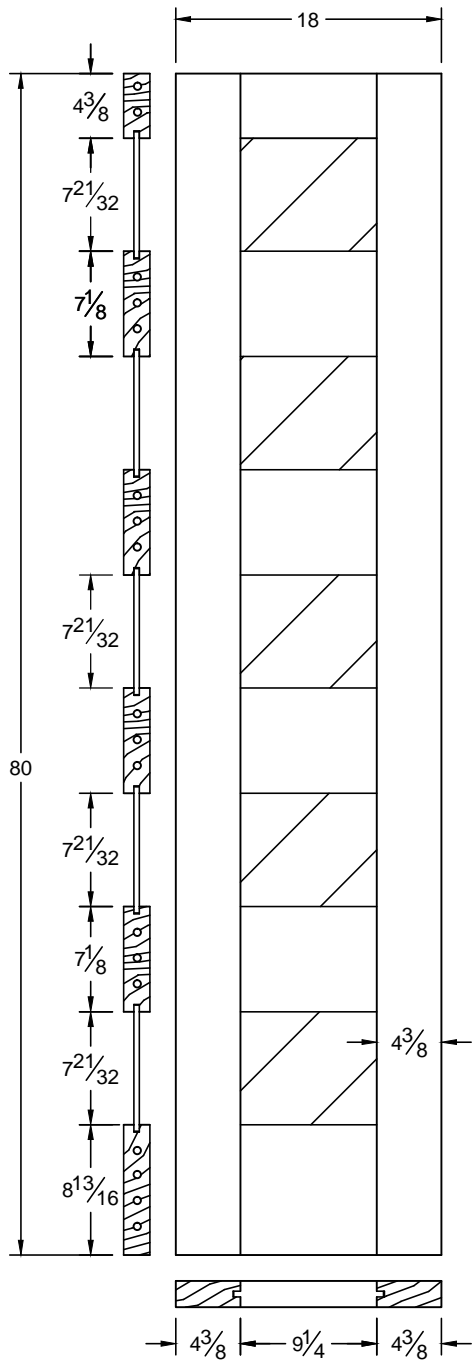
4605W

Draw #: Shaker 4605W_18_80

Date: 10 - 16 - 14 R1

Drawn By: T Doughty


woodgrain doors



This drawing contains information which is the property of Woodgrain Millwork, Inc. This drawing is received on confidence and contents may not be disclosed without the prior written consent of Woodgrain Millwork, Inc.

4605W

Draw #:	Shaker 4605W_18_80	
Date:	10 - 16 - 14	R1
Drawn By:	T Doughty	

