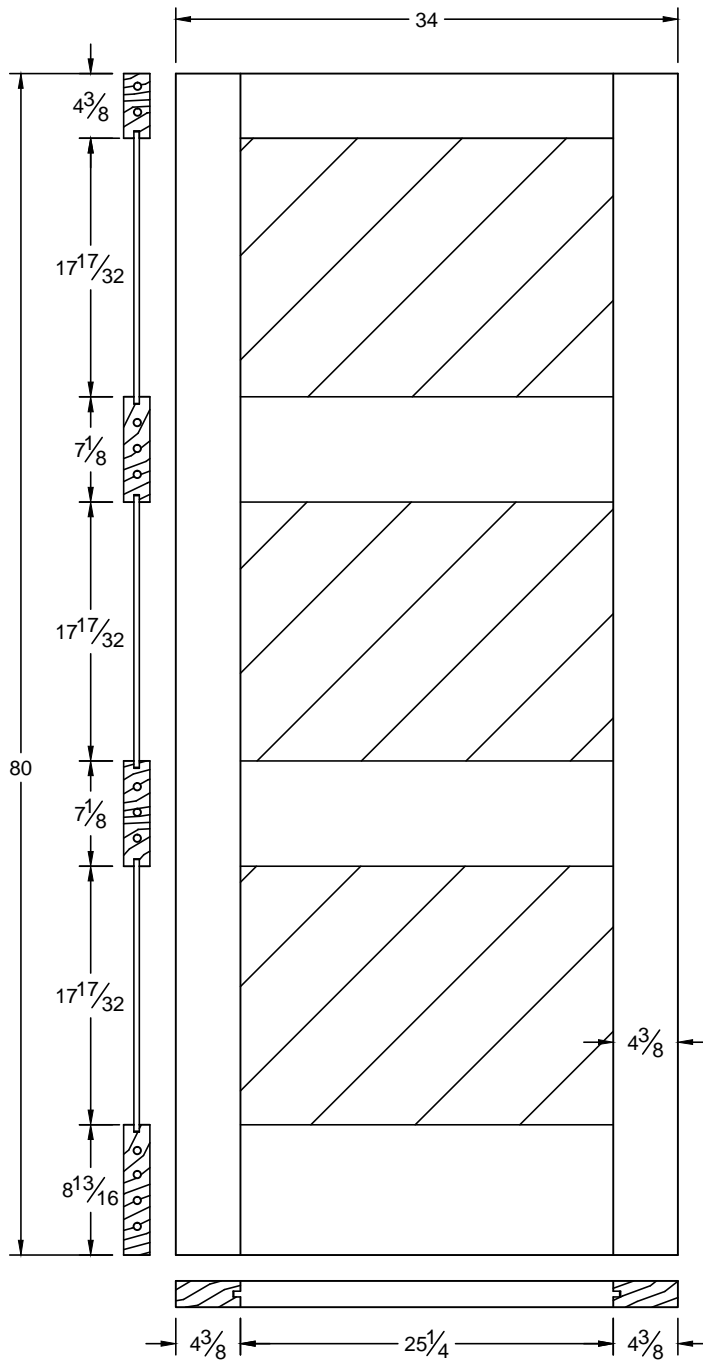


This drawing contains information which is the property of Woodgrain Millwork, Inc. This drawing is received on confidence and contents may not be disclosed without the prior written consent of Woodgrain Millwork, Inc.

4603W

Draw #:	Shaker 4603W_36_80	
Date:	10 - 16 - 14	R1
Drawn By:	T Doughty	





This drawing contains information which is the property of Woodgrain Millwork, Inc. This drawing is received on confidence and contents may not be disclosed without the prior written consent of Woodgrain Millwork, Inc.

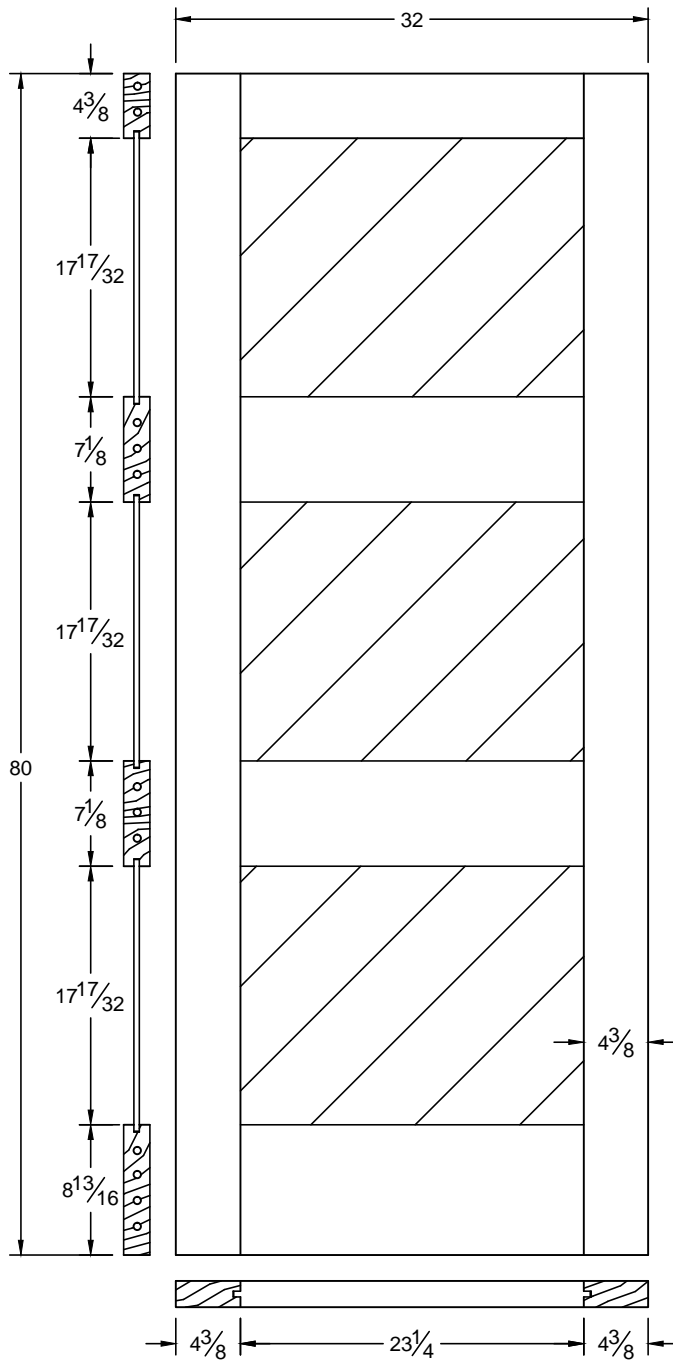
4603W

Draw #: Shaker 4603W_34_80

Date: 10 - 16 - 14 R1

Drawn By: T Doughty



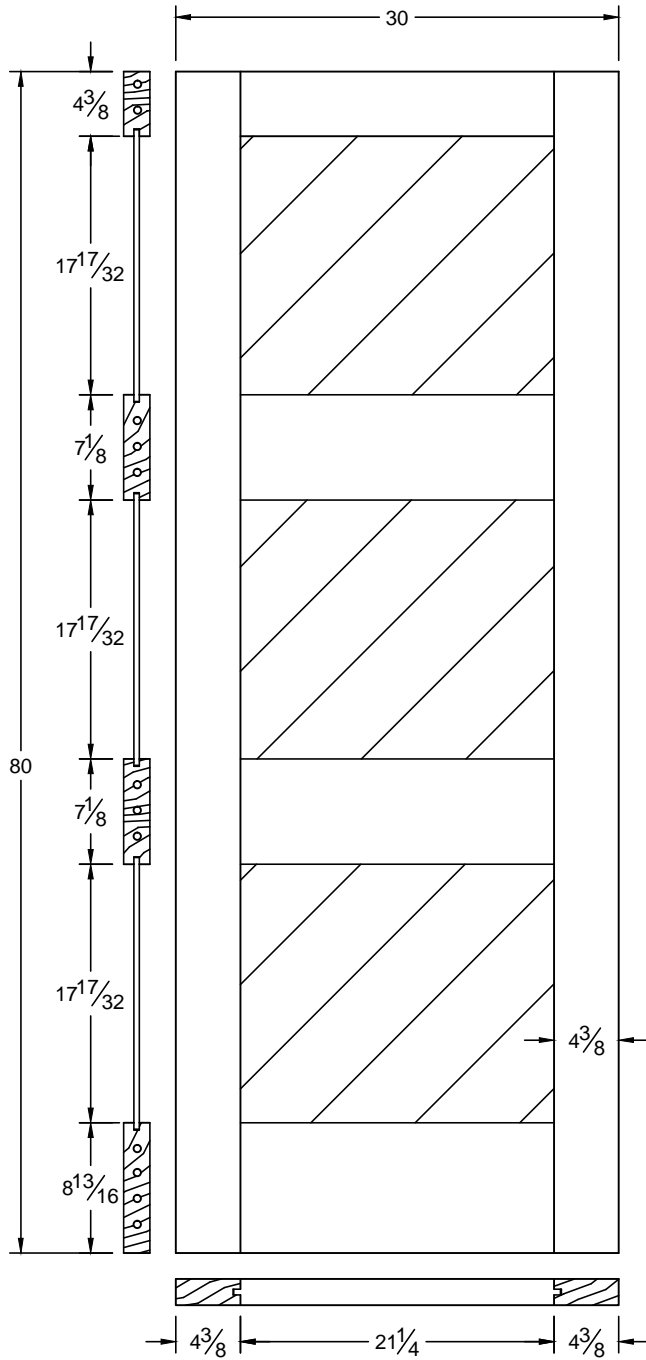


This drawing contains information which is the property of Woodgrain Millwork, Inc. This drawing is received on confidence and contents may not be disclosed without the prior written consent of Woodgrain Millwork, Inc.

4603W

Draw #:	Shaker 4603W_34_80	
Date:	10 - 16 - 14	R1
Drawn By:	T Doughty	



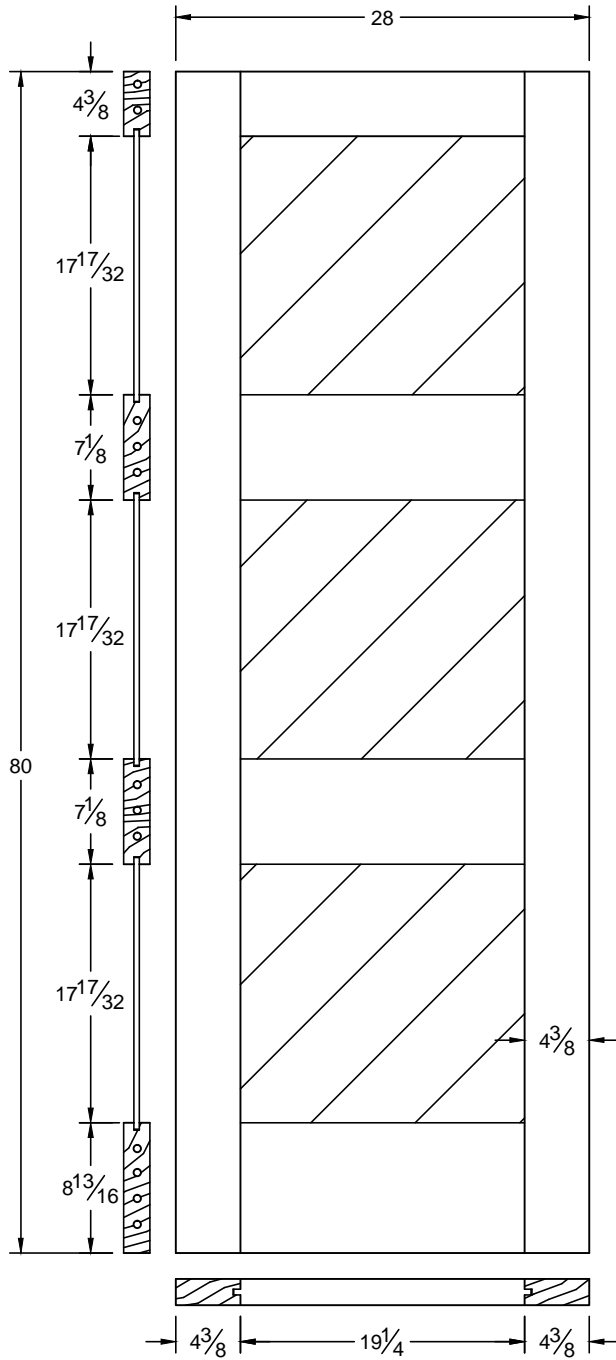


This drawing contains information which is the property of Woodgrain Millwork, Inc. This drawing is received on confidence and contents may not be disclosed without the prior written consent of Woodgrain Millwork, Inc.

4603W

Draw #:	Shaker 4603W_30_80
Date:	10 - 16 - 14 R1
Drawn By:	T Doughty



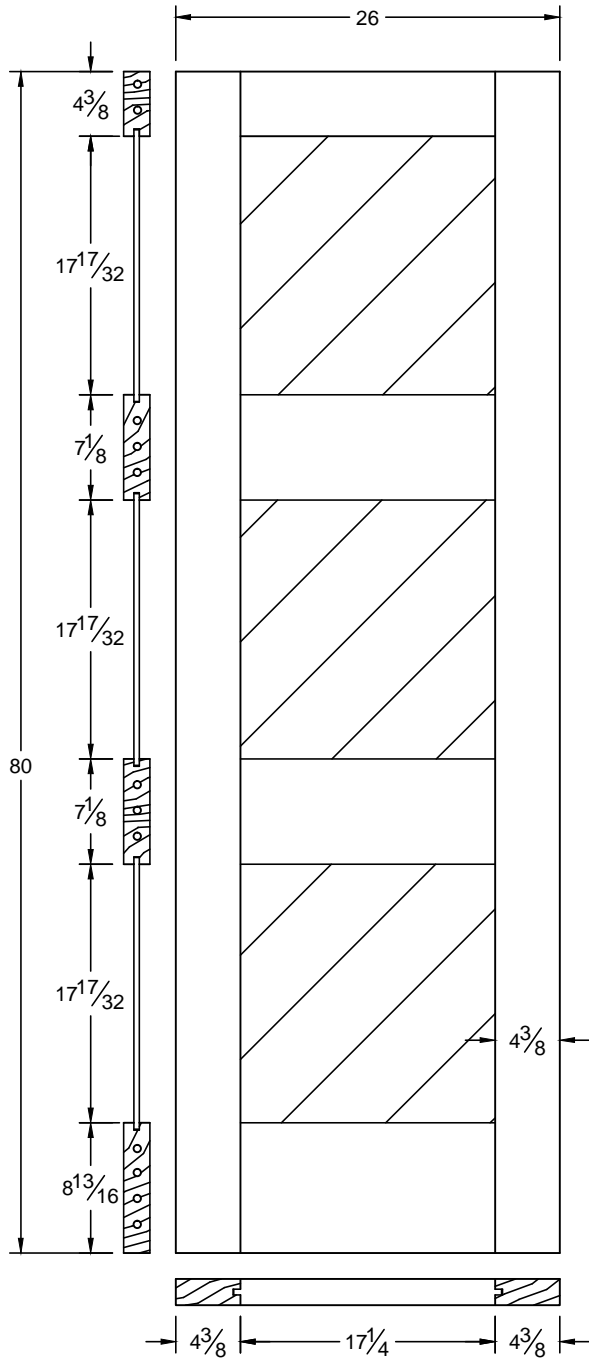


This drawing contains information which is the property of Woodgrain Millwork, Inc. This drawing is received on confidence and contents may not be disclosed without the prior written consent of Woodgrain Millwork, Inc.

4603W

Draw #:	Shaker 4603W_28_80
Date:	10 - 16 - 14 R1
Drawn By:	T Doughty



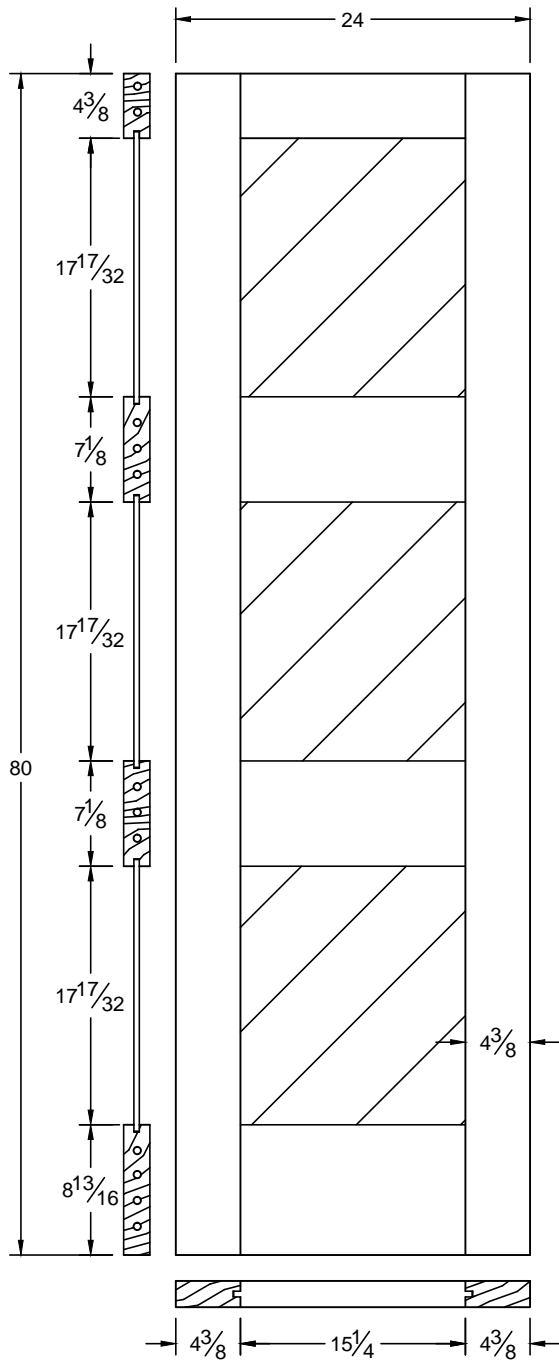


This drawing contains information which is the property of Woodgrain Millwork, Inc. This drawing is received on confidence and contents may not be disclosed without the prior written consent of Woodgrain Millwork, Inc.

4603W

Draw #:	Shaker 4603W_26_80
Date:	10 - 16 - 14 R1
Drawn By:	T Doughty



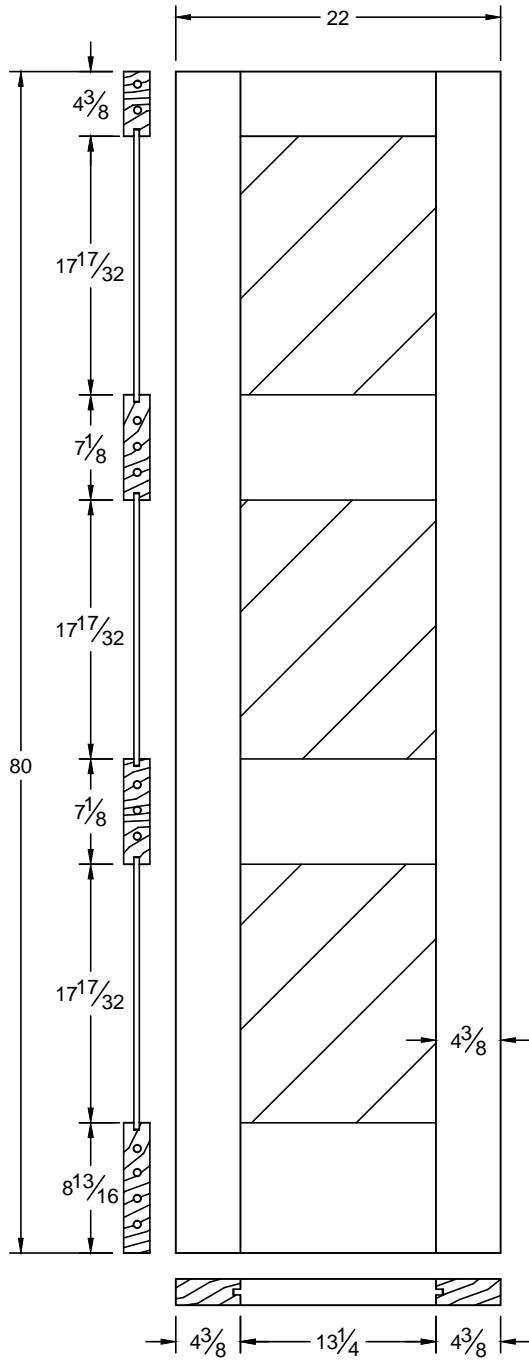


This drawing contains information which is the property of Woodgrain Millwork, Inc. This drawing is received on confidence and contents may not be disclosed without the prior written consent of Woodgrain Millwork, Inc.

4603W

Draw #:	Shaker 4603W_24_80	
Date:	10 - 16 - 14	R1
Drawn By:	T Doughty	





This drawing contains information which is the property of Woodgrain Millwork, Inc. This drawing is received on confidence and contents may not be disclosed without the prior written consent of Woodgrain Millwork, Inc.

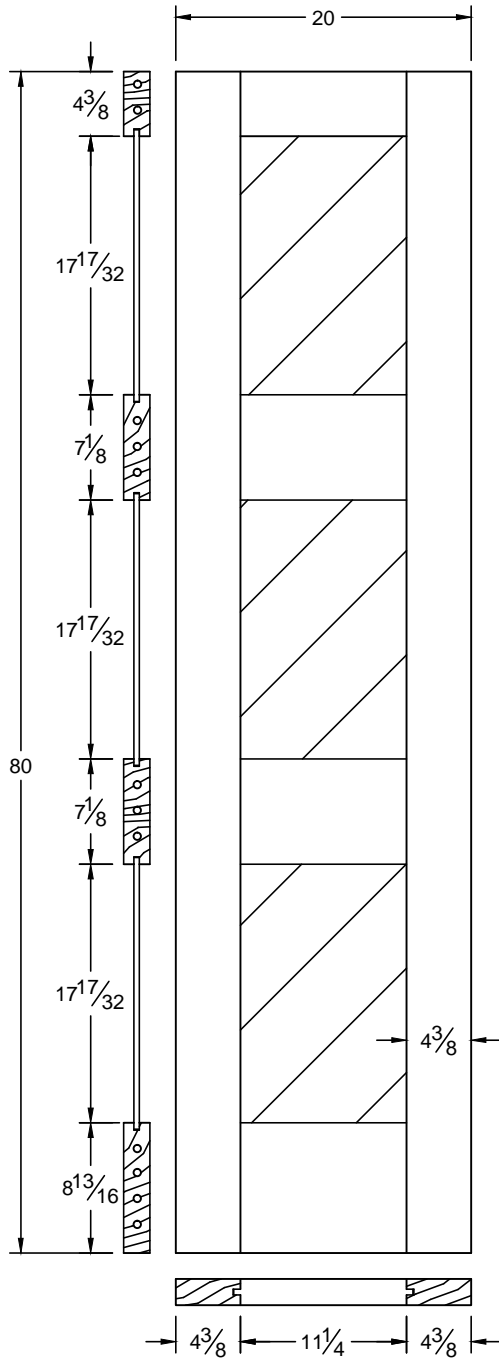
4603W

Draw #: Shaker 4603W_22_80

Date: 10 - 16 - 14 R1

Drawn By: T Doughty


woodgrain doors

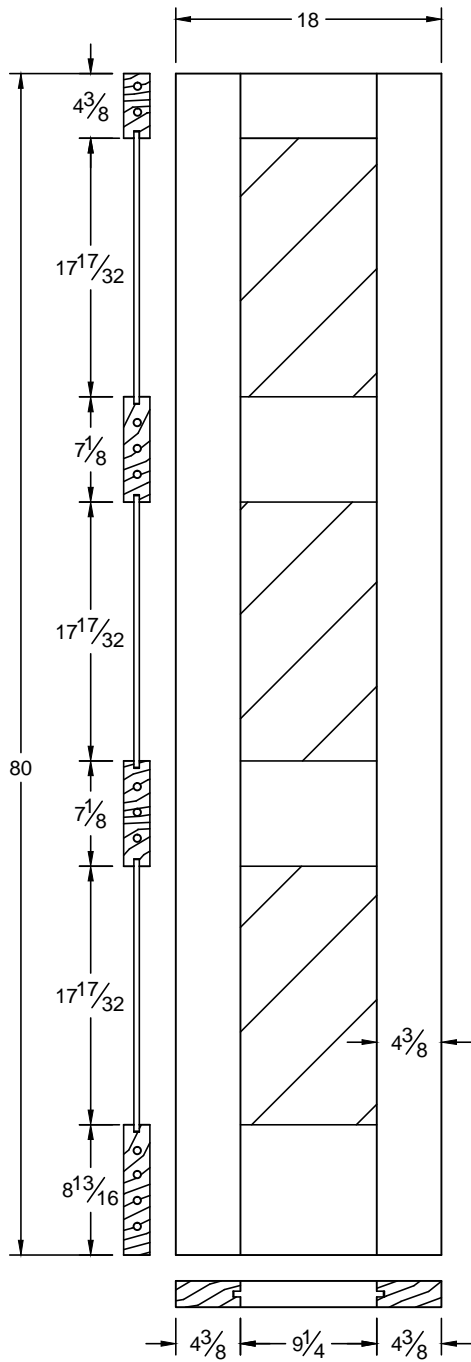


This drawing contains information which is the property of Woodgrain Millwork, Inc. This drawing is received on confidence and contents may not be disclosed without the prior written consent of Woodgrain Millwork, Inc.

4603W

Draw #:	Shaker 4603W_20_80
Date:	10 - 16 - 14 R1
Drawn By:	T Doughty





This drawing contains information which is the property of Woodgrain Millwork, Inc. This drawing is received on confidence and contents may not be disclosed without the prior written consent of Woodgrain Millwork, Inc.

4603W

Draw #:	Shaker 4603W_18_80
Date:	10 - 16 - 14 R1
Drawn By:	T Doughty

