

This drawing contains information which is the property of Woodgrain Millwork, Inc. This drawing is received on confidence and contents may not be disclosed without the prior written consent of Woodgrain Millwork, Inc.

4106

Draw #: Shaker 4106_36_80

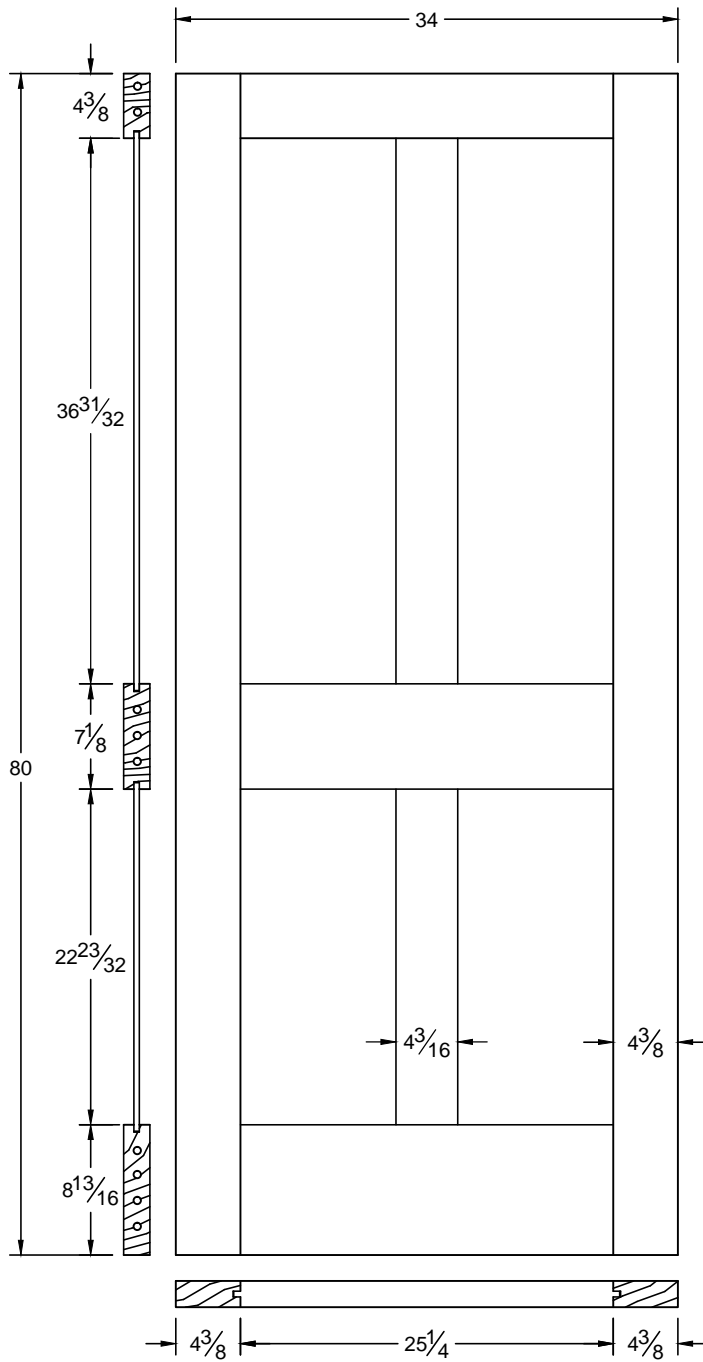
Date: 11 - 08 - 14

R1

Drawn By: T Doughty



 woodgrain doors

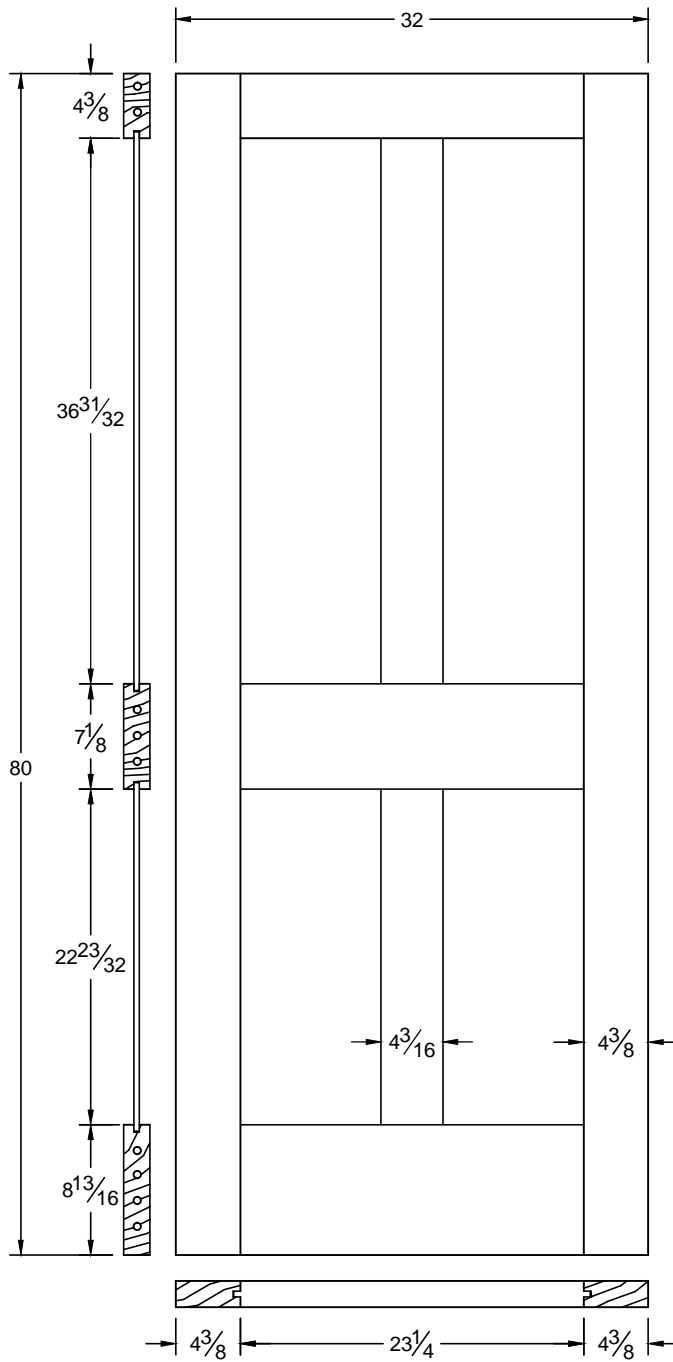


This drawing contains information which is the property of Woodgrain Millwork, Inc. This drawing is received on confidence and contents may not be disclosed without the prior written consent of Woodgrain Millwork, Inc.

4106

Draw #:	Shaker 4106_34_80	
Date:	11 - 08 - 14	R1
Drawn By:	T Doughty	



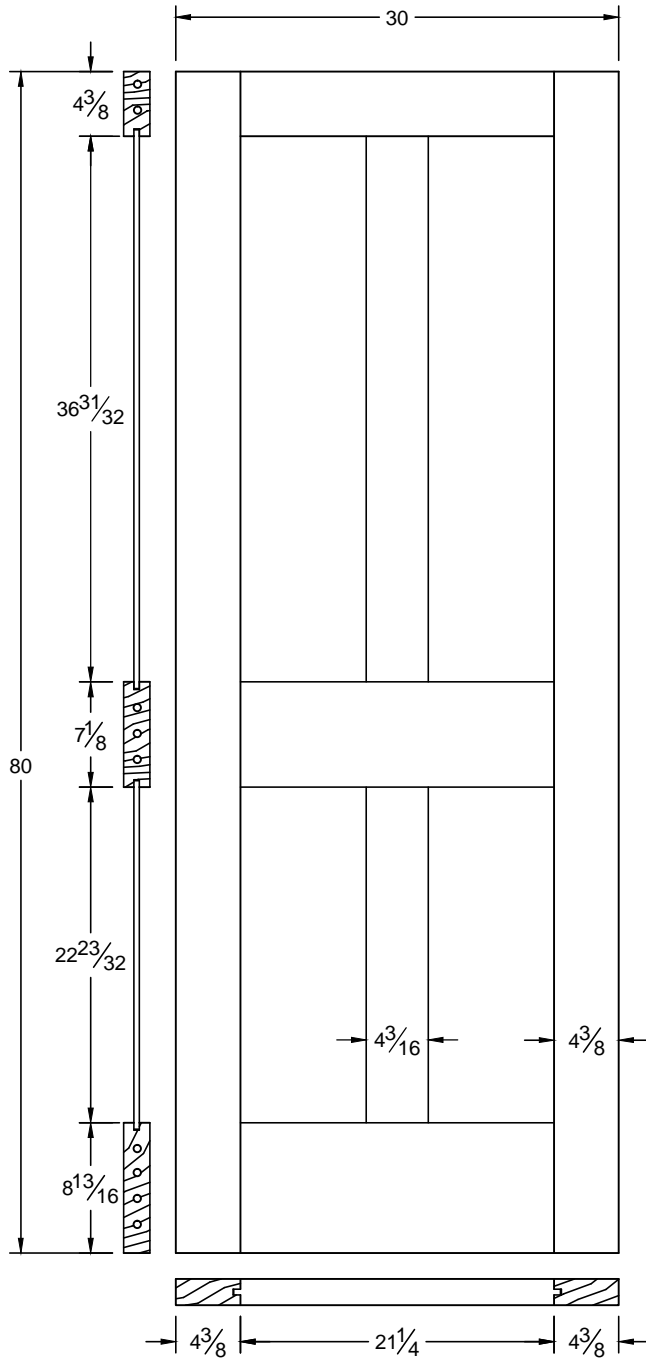


This drawing contains information which is the property of Woodgrain Millwork, Inc. This drawing is received on confidence and contents may not be disclosed without the prior written consent of Woodgrain Millwork, Inc.

4106

Draw #:	Shaker 4106_32_80	
Date:	11 - 08 - 14	R1
Drawn By:	T Doughty	



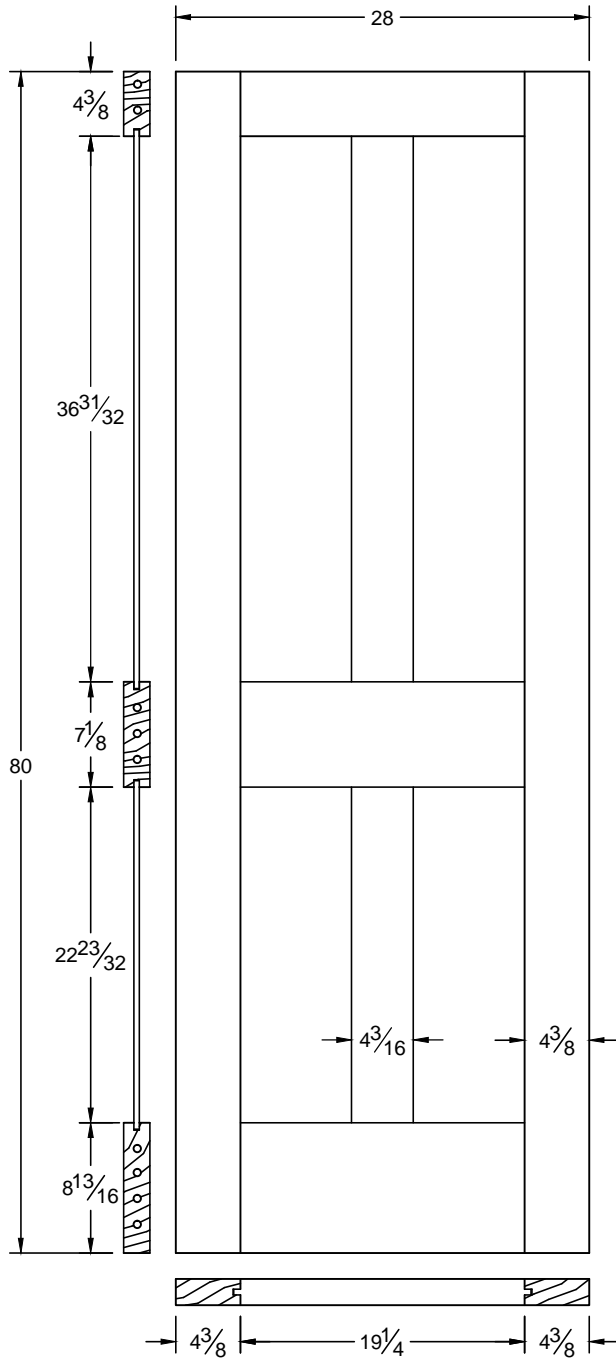


This drawing contains information which is the property of Woodgrain Millwork, Inc. This drawing is received on confidence and contents may not be disclosed without the prior written consent of Woodgrain Millwork, Inc.

4106

Draw #:	Shaker 4106_30_80	
Date:	11 - 08 - 14	R1
Drawn By:	T Doughty	



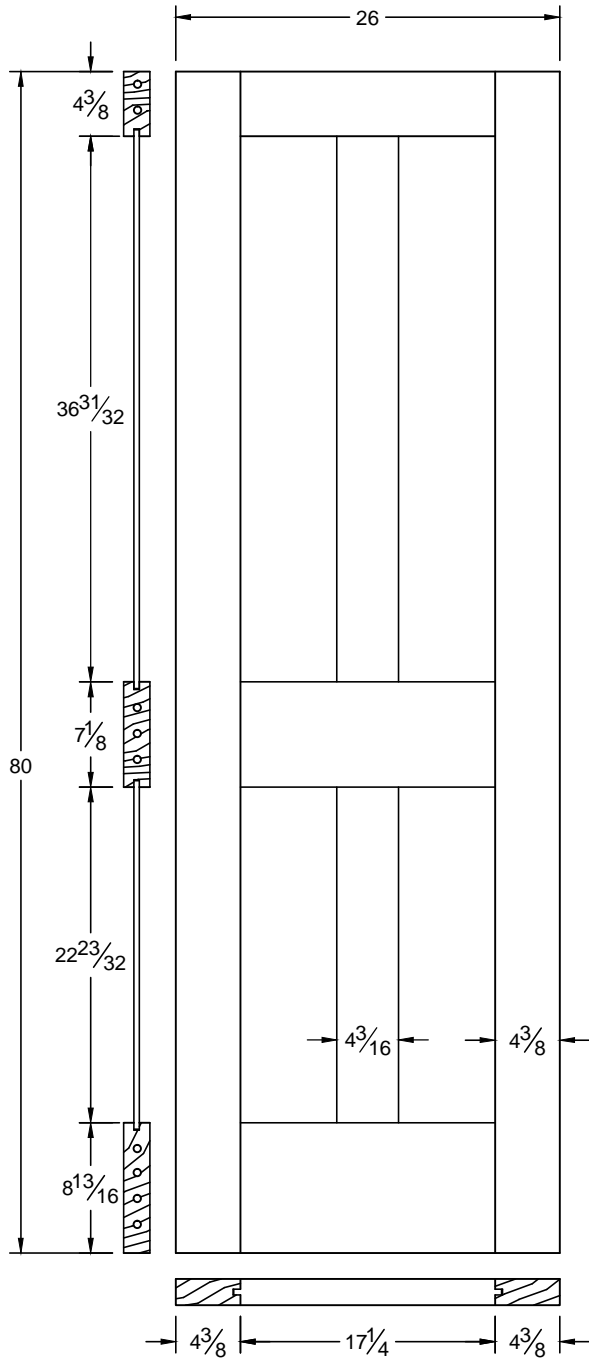


This drawing contains information which is the property of Woodgrain Millwork, Inc. This drawing is received on confidence and contents may not be disclosed without the prior written consent of Woodgrain Millwork, Inc.

4106

Draw #:	Shaker 4106_28_80	
Date:	11 - 08 - 14	R1
Drawn By:	T Doughty	



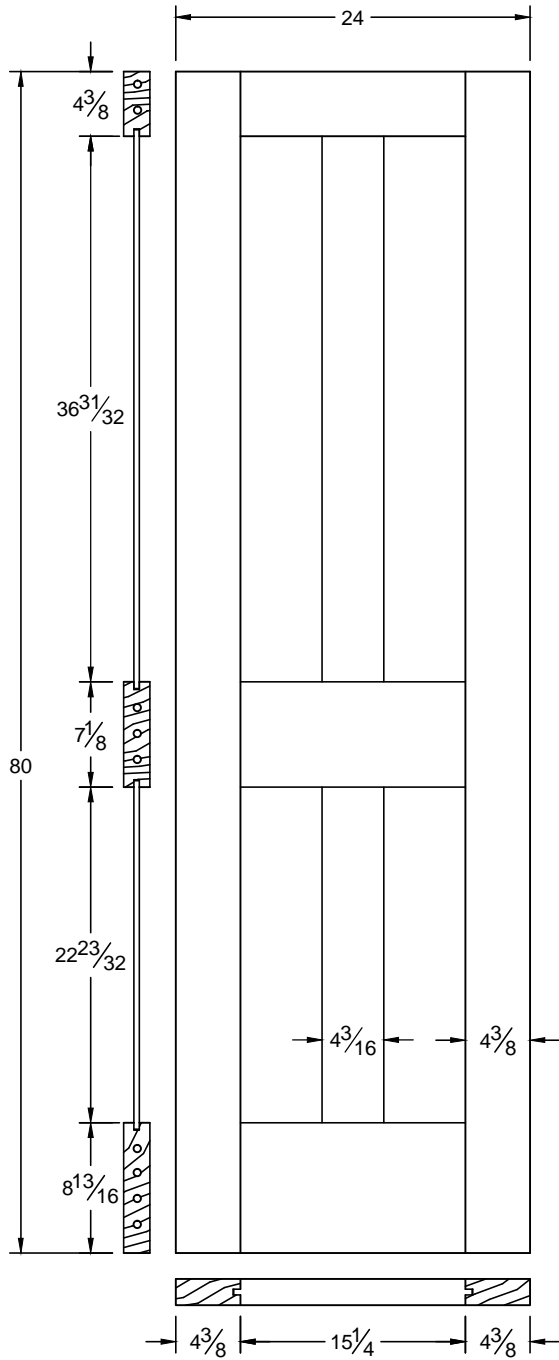


This drawing contains information which is the property of Woodgrain Millwork, Inc. This drawing is received on confidence and contents may not be disclosed without the prior written consent of Woodgrain Millwork, Inc.

4106

Draw #:	Shaker 4106_26_80	
Date:	11 - 08 - 14	R1
Drawn By:	T Doughty	



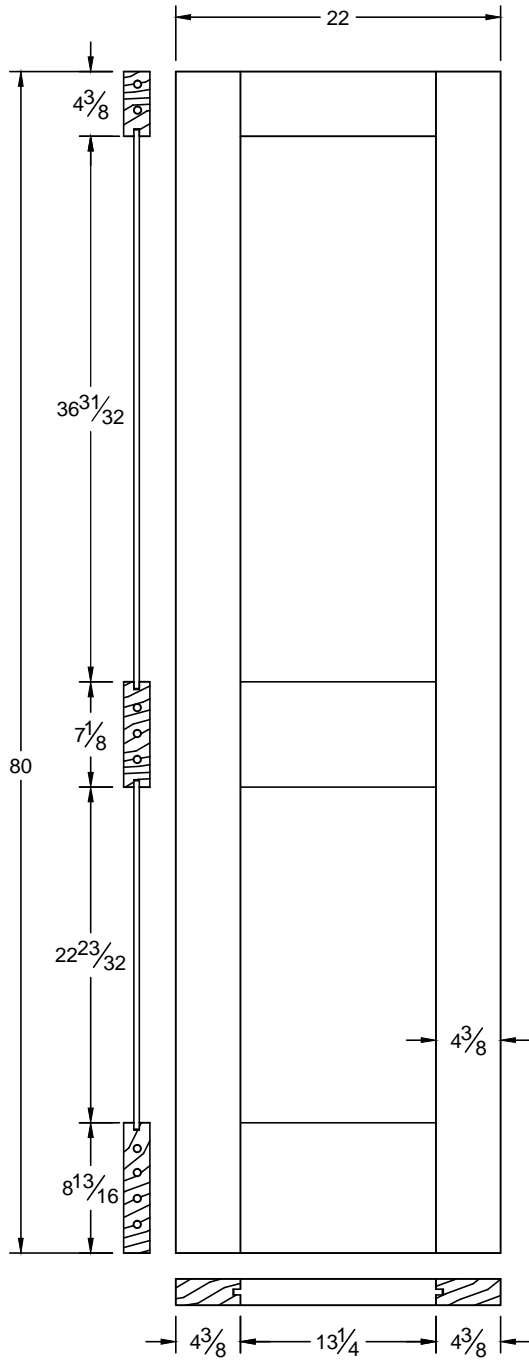


This drawing contains information which is the property of Woodgrain Millwork, Inc. This drawing is received on confidence and contents may not be disclosed without the prior written consent of Woodgrain Millwork, Inc.

4106

Draw #:	Shaker 4106_24_80	
Date:	11 - 08 - 14	R1
Drawn By:	T Doughty	



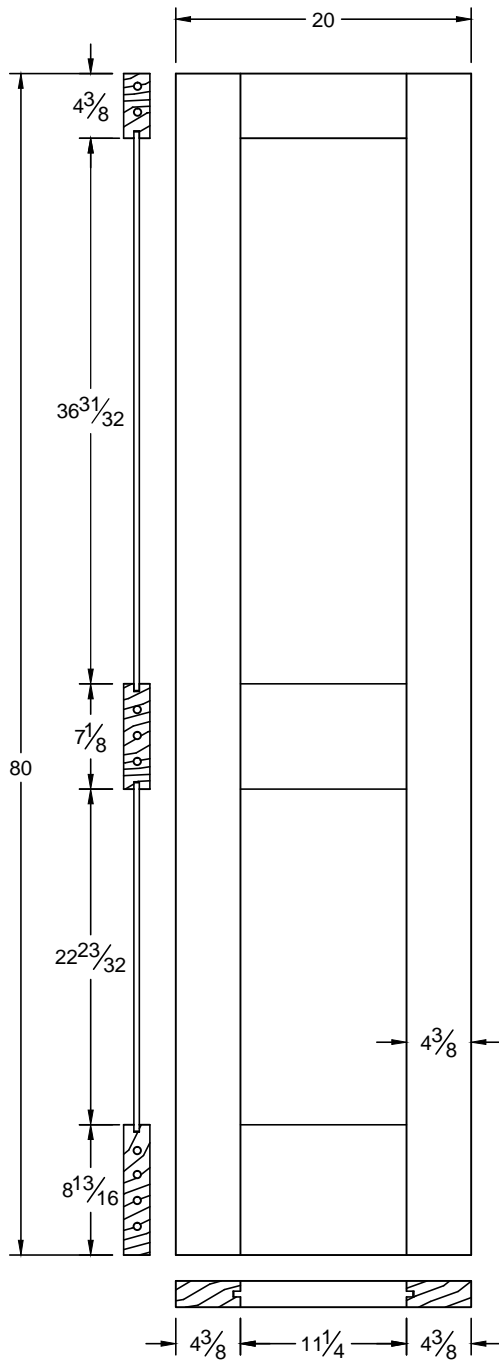


This drawing contains information which is the property of Woodgrain Millwork, Inc. This drawing is received on confidence and contents may not be disclosed without the prior written consent of Woodgrain Millwork, Inc.

4106

Draw #:	Shaker 4106_22_80	
Date:	11 - 08 - 14	R1
Drawn By:	T Doughty	



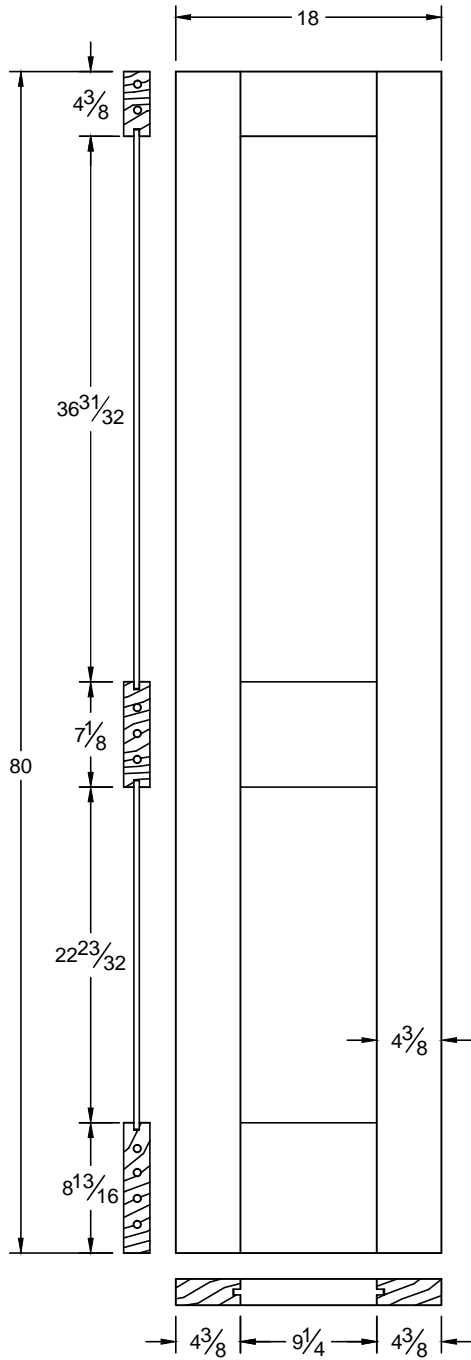


This drawing contains information which is the property of Woodgrain Millwork, Inc. This drawing is received on confidence and contents may not be disclosed without the prior written consent of Woodgrain Millwork, Inc.

4106

Draw #:	Shaker 4106_20_80	
Date:	11 - 08 - 14	R1
Drawn By:	T Doughty	





This drawing contains information which is the property of Woodgrain Millwork, Inc. This drawing is received on confidence and contents may not be disclosed without the prior written consent of Woodgrain Millwork, Inc.

4106

Draw #:	Shaker 4106_18_80	
Date:	11 - 08 - 14	R1
Drawn By:	T Doughty	

