

This drawing contains information which is the property of Woodgrain Millwork, Inc. This drawing is received on confidence and contents may not be disclosed without the prior written consent of Woodgrain Millwork, Inc.

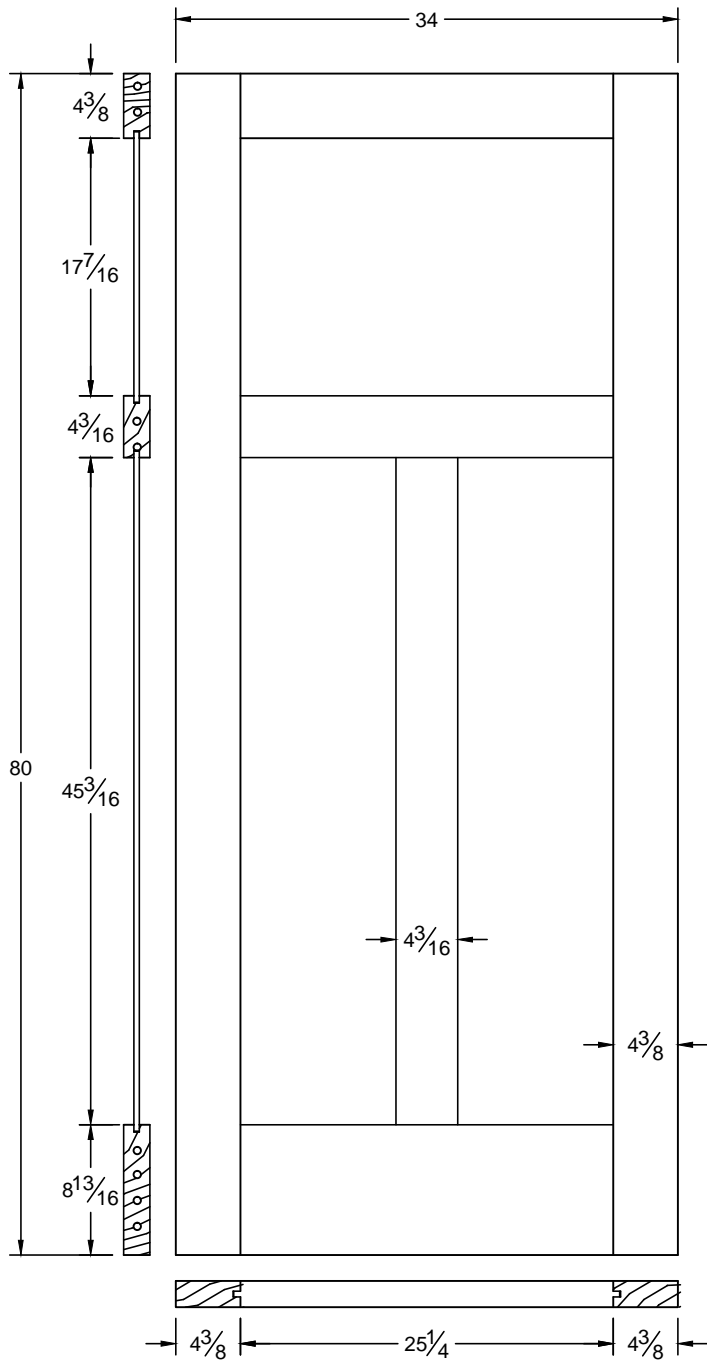
4103T

Draw #: Shaker 4103T\_36\_80

Date: 10 - 16 - 14 R1

Drawn By: T Doughty


  
 woodgrain doors



This drawing contains information which is the property of Woodgrain Millwork, Inc. This drawing is received on confidence and contents may not be disclosed without the prior written consent of Woodgrain Millwork, Inc.

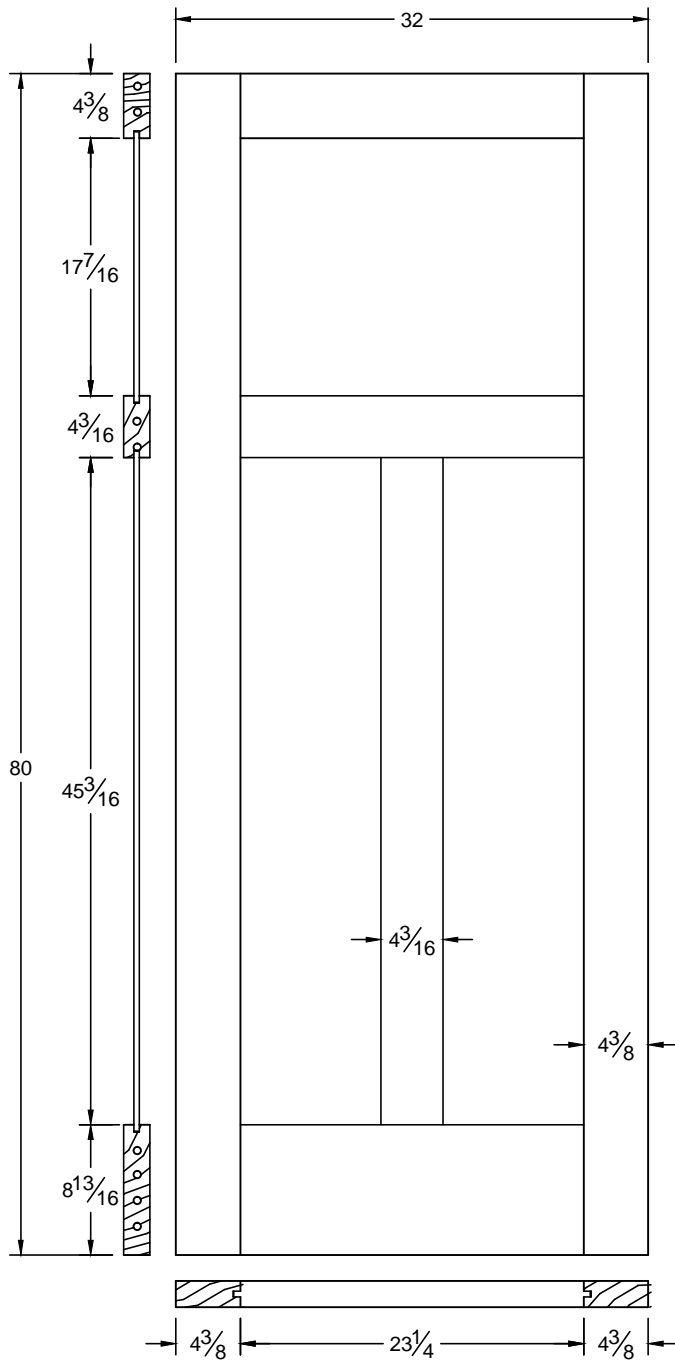
4103T

Draw #: Shaker 4103T\_34\_80

Date: 10 - 16 - 14 R1

Drawn By: T Doughty





This drawing contains information which is the property of Woodgrain Millwork, Inc. This drawing is received on confidence and contents may not be disclosed without the prior written consent of Woodgrain Millwork, Inc.

4103T

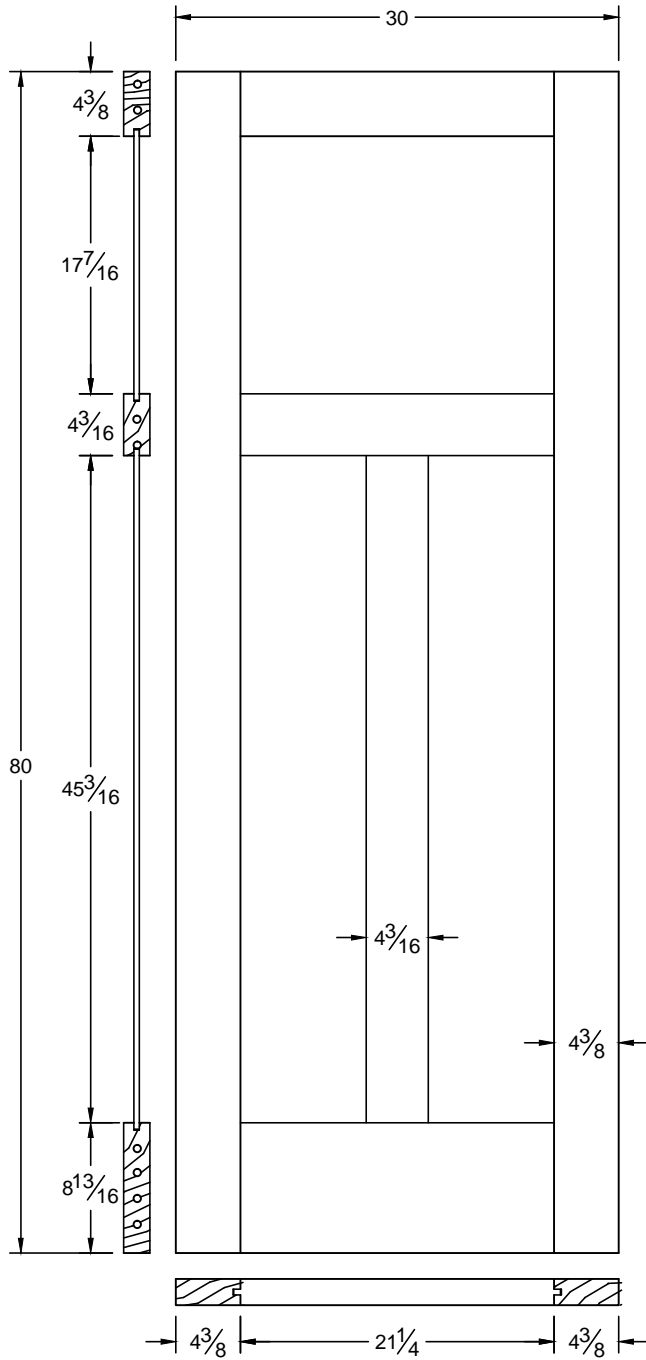
Draw #: Shaker 4103T\_32\_80

Date: 10 - 16 - 14

R1

Drawn By: T Doughty

  
woodgrain doors



This drawing contains information which is the property of Woodgrain Millwork, Inc. This drawing is received on confidence and contents may not be disclosed without the prior written consent of Woodgrain Millwork, Inc.

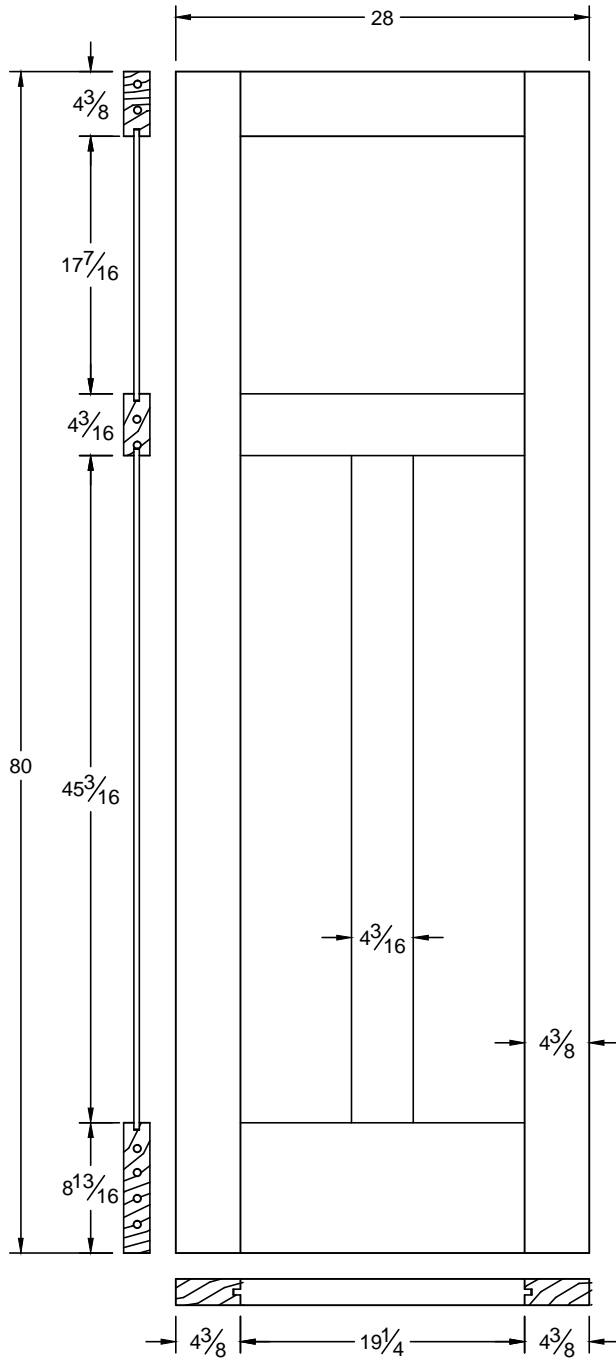
4103T

Draw #: Shaker 4103T\_30\_80

Date: 10 - 16 - 14 R1

Drawn By: T Doughty





This drawing contains information which is the property of Woodgrain Millwork, Inc. This drawing is received on confidence and contents may not be disclosed without the prior written consent of Woodgrain Millwork, Inc.

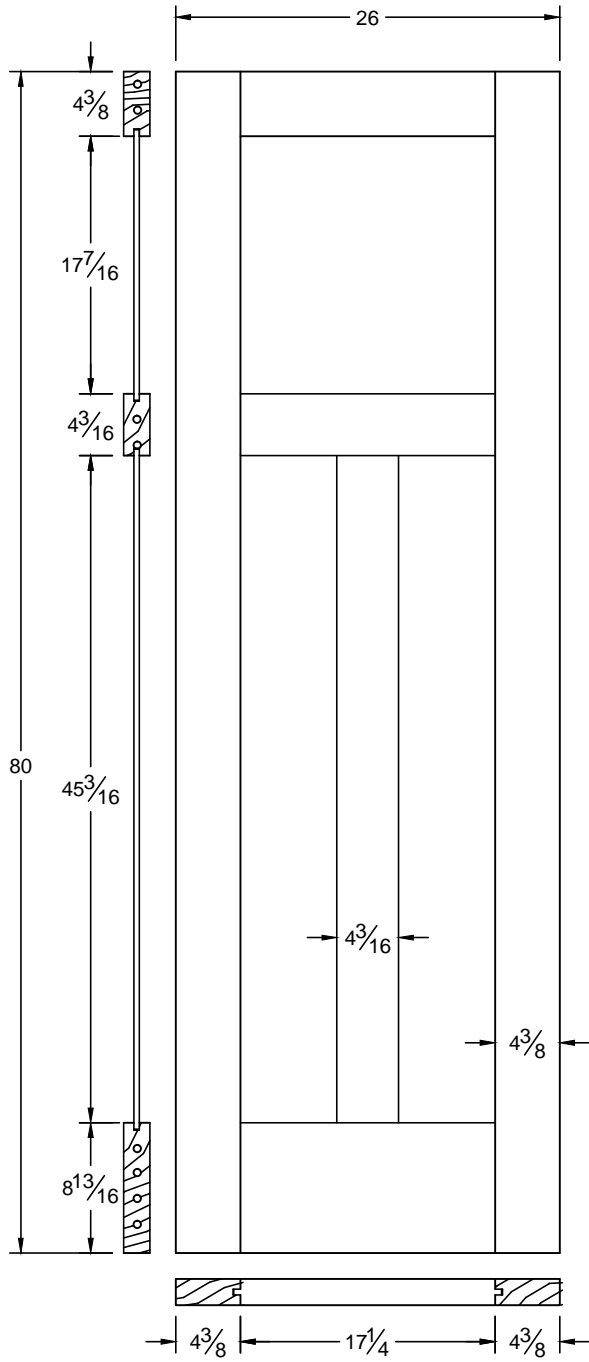
4103T

Draw #: Shaker 4103T\_28\_80

Date: 10 - 16 - 14 R1

Drawn By: T Doughty





This drawing contains information which is the property of Woodgrain Millwork, Inc. This drawing is received on confidence and contents may not be disclosed without the prior written consent of Woodgrain Millwork, Inc.

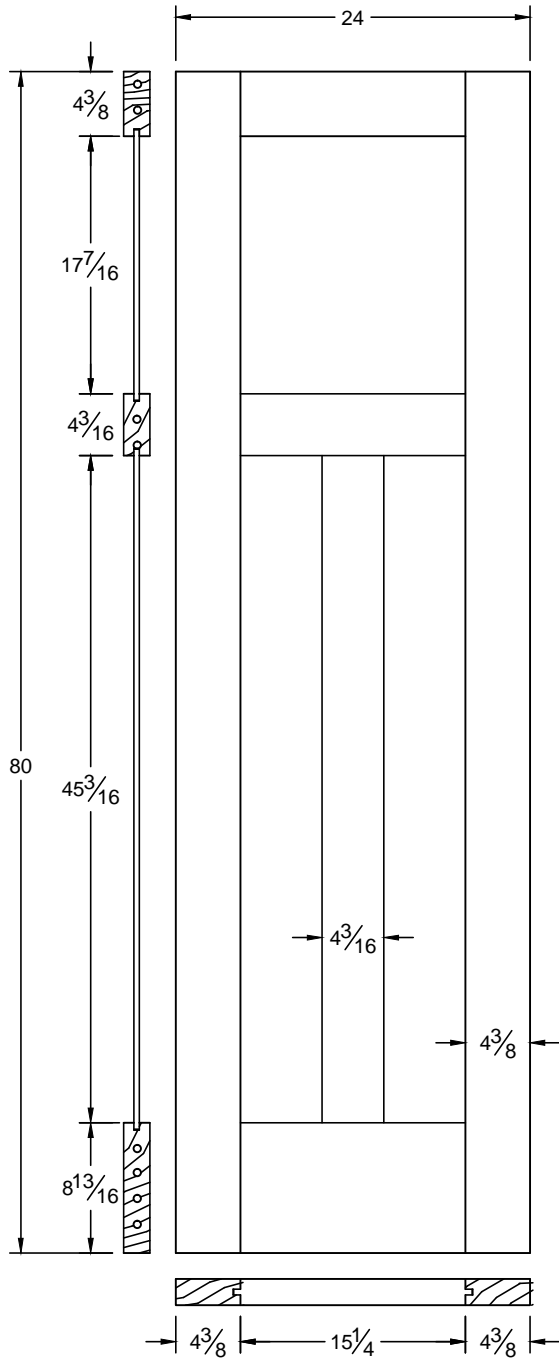
4103T

Draw #: Shaker 4103T\_26\_80

Date: 10 - 16 - 14 R1

Drawn By: T Doughty





This drawing contains information which is the property of Woodgrain Millwork, Inc. This drawing is received on confidence and contents may not be disclosed without the prior written consent of Woodgrain Millwork, Inc.

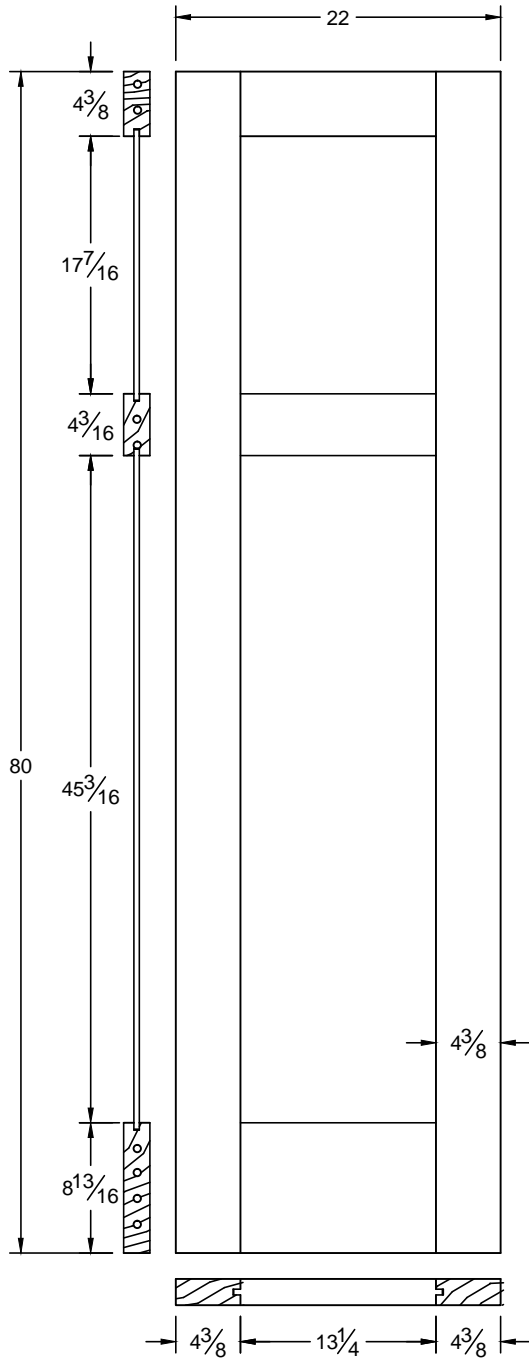
4103T

Draw #: Shaker 4103T\_24\_80

Date: 10 - 16 - 14 R1

Drawn By: T Doughty

  
woodgrain doors



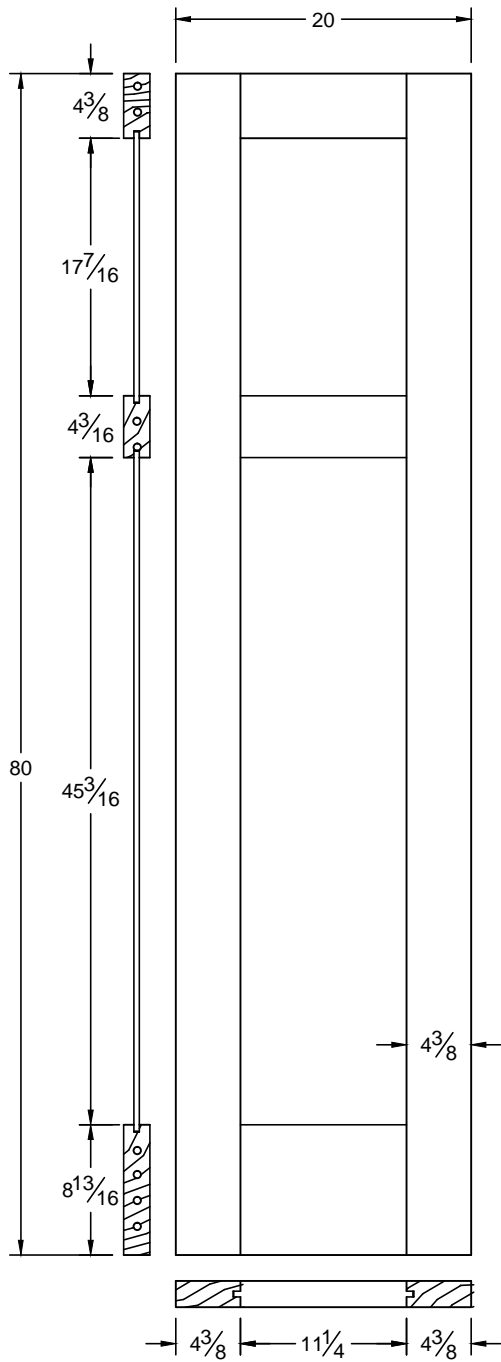
This drawing contains information which is the property of Woodgrain Millwork, Inc. This drawing is received on confidence and contents may not be disclosed without the prior written consent of Woodgrain Millwork, Inc.

4103T

Draw #:	Shaker 4103T_22_80	
Date:	10 - 16 - 14	R1
Drawn By:	T Doughty	







This drawing contains information which is the property of Woodgrain Millwork, Inc. This drawing is received on confidence and contents may not be disclosed without the prior written consent of Woodgrain Millwork, Inc.

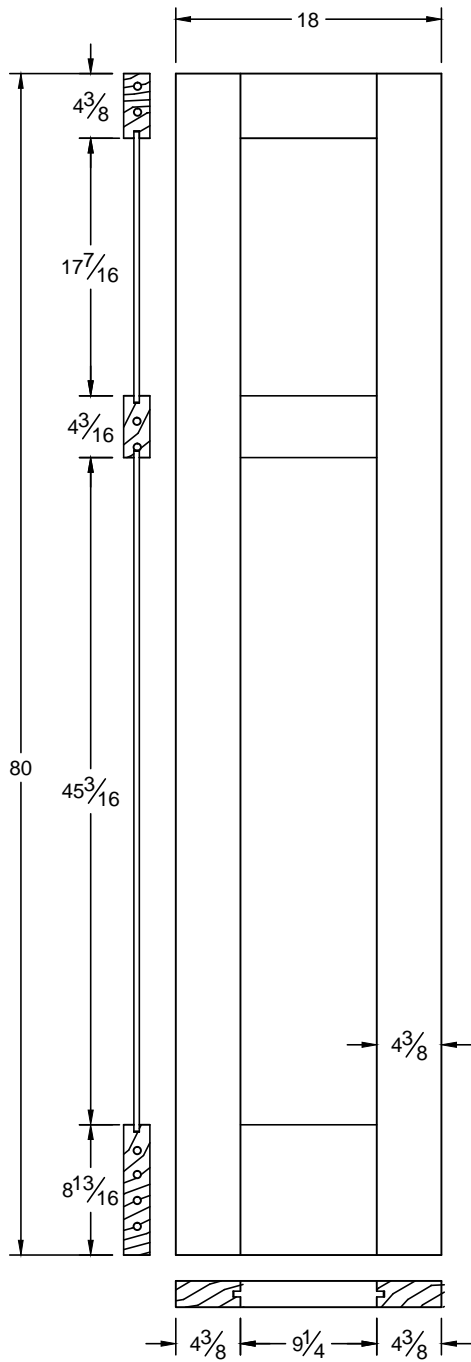
4103T

Draw #: Shaker 4103T\_20\_80

Date: 10 - 16 - 14 R1

Drawn By: T Doughty





This drawing contains information which is the property of Woodgrain Millwork, Inc. This drawing is received on confidence and contents may not be disclosed without the prior written consent of Woodgrain Millwork, Inc.

4103T

Draw #:	Shaker 4103T_18_80	
Date:	10 - 16 - 14	R1
Drawn By:	T Doughty	

