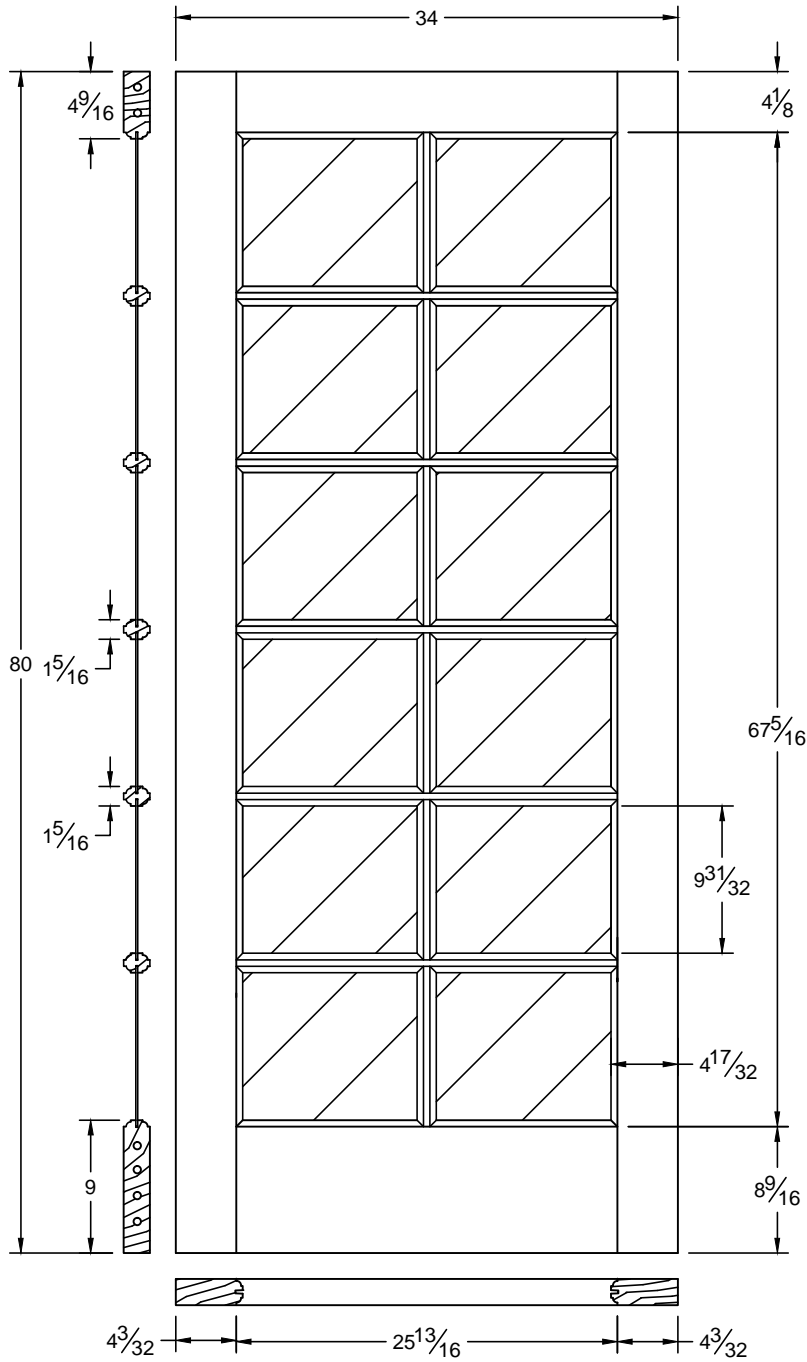


This drawing contains information which is the property of Woodgrain Millwork, Inc. This drawing is received on confidence and contents may not be disclosed without the prior written consent of Woodgrain Millwork, Inc.

626 / 6626

Draw #:	Ovolo 626_36_80
Date:	03 - 30 - 13
Drawn By:	T Doughty



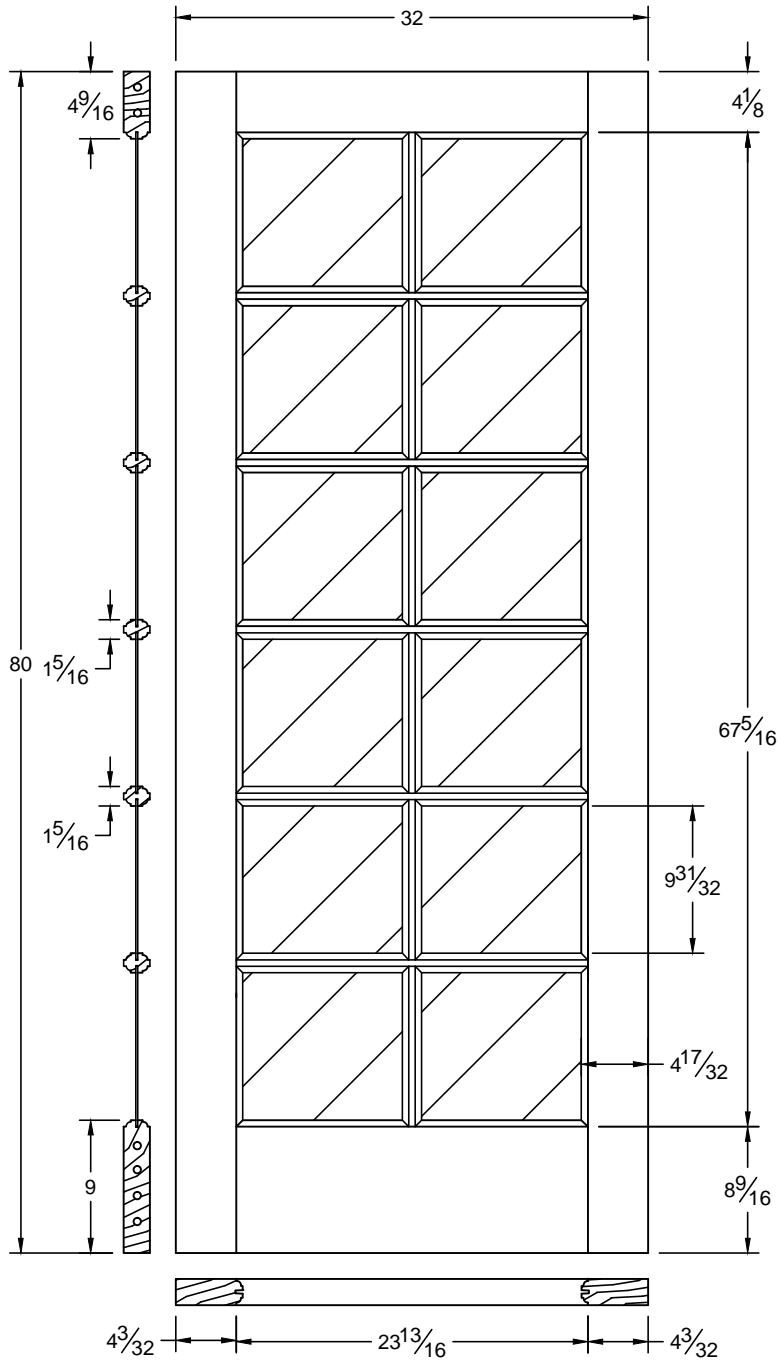


This drawing contains information which is the property of Woodgrain Millwork, Inc. This drawing is received on confidence and contents may not be disclosed without the prior written consent of Woodgrain Millwork, Inc.

626 / 6626

Draw #: Ovolo 626\_34\_80  
 Date: 03 - 30 - 13  
 Drawn By: T Doughty



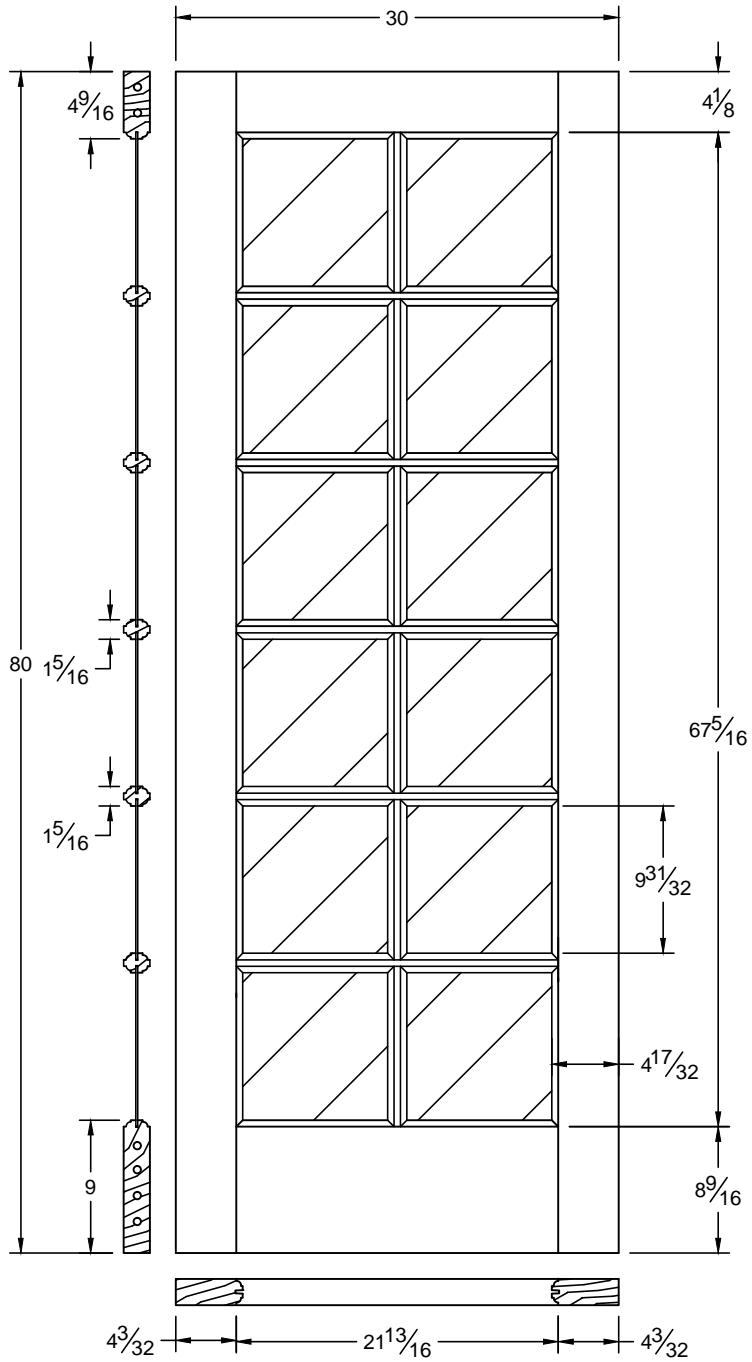


This drawing contains information which is the property of Woodgrain Millwork, Inc. This drawing is received on confidence and contents may not be disclosed without the prior written consent of Woodgrain Millwork, Inc.

626 / 6626

Draw #:	Ovolo 626_32_80
Date:	03 - 30 - 13
Drawn By:	T Doughty



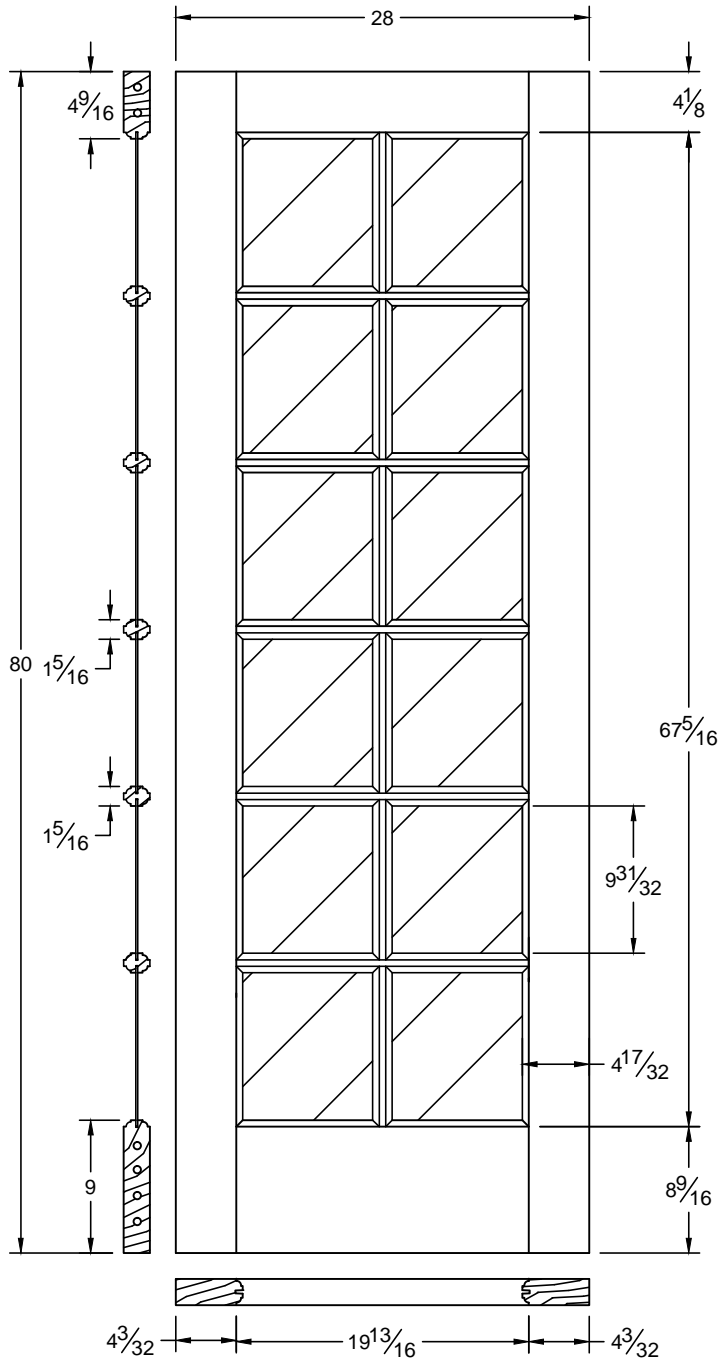


This drawing contains information which is the property of Woodgrain Millwork, Inc. This drawing is received on confidence and contents may not be disclosed without the prior written consent of Woodgrain Millwork, Inc.

626 / 6626

Draw #:	Ovolo 626_30_80
Date:	03 - 30 - 13
Drawn By:	T Doughty



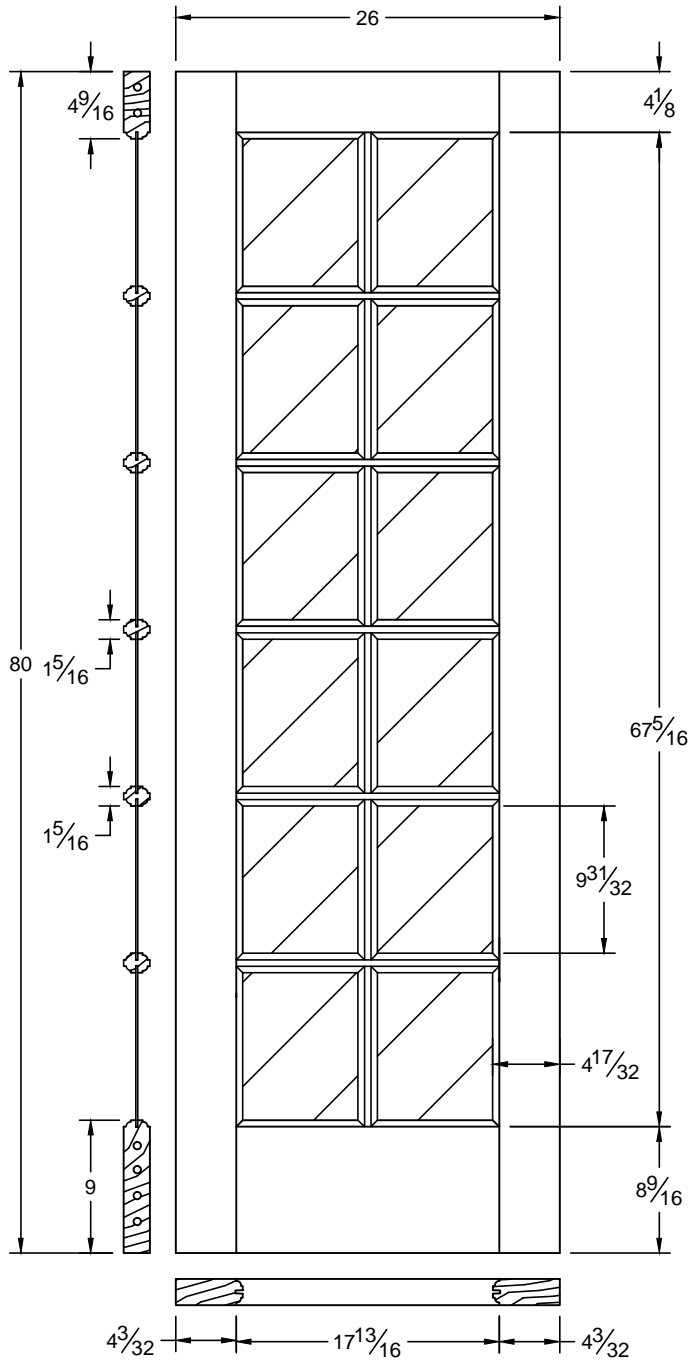


This drawing contains information which is the property of Woodgrain Millwork, Inc. This drawing is received on confidence and contents may not be disclosed without the prior written consent of Woodgrain Millwork, Inc.

626 / 6626

Draw #:	Ovolo 626_28_80
Date:	03 - 30 - 13
Drawn By:	T Doughty



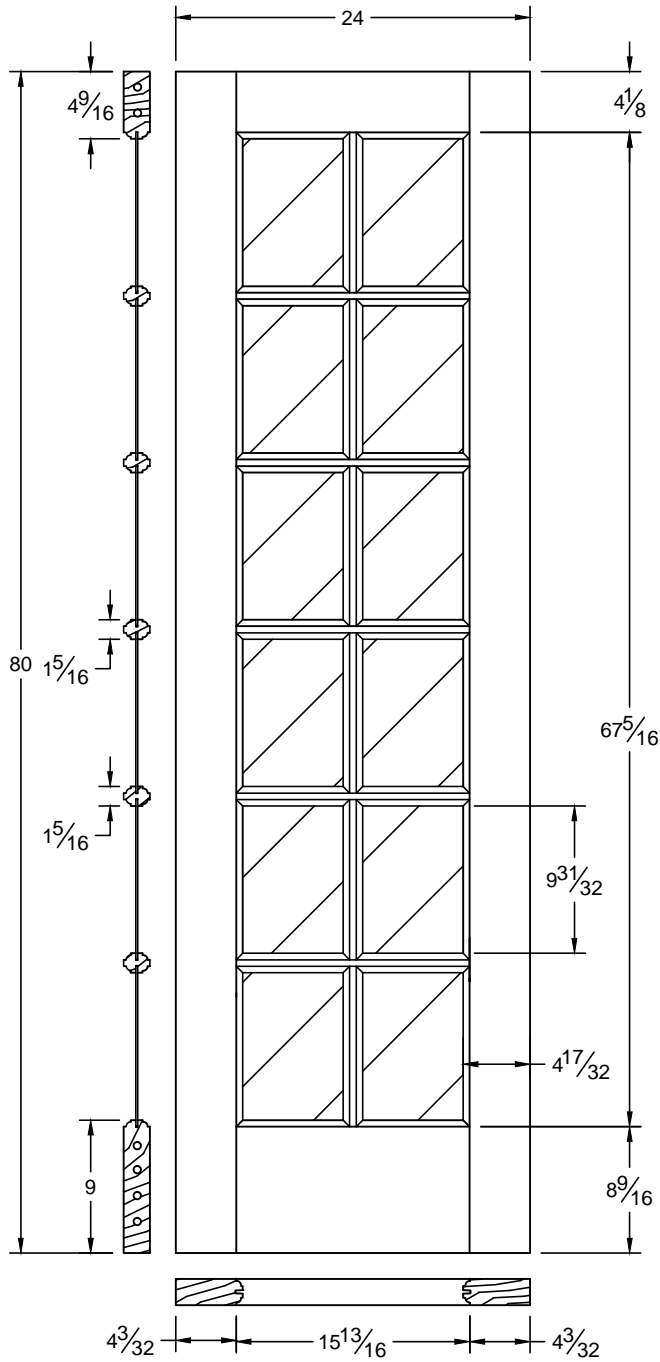


This drawing contains information which is the property of Woodgrain Millwork, Inc. This drawing is received on confidence and contents may not be disclosed without the prior written consent of Woodgrain Millwork, Inc.

626 / 6626

Draw #:	Ovolo 626_26_80
Date:	03 - 30 - 13
Drawn By:	T Doughty



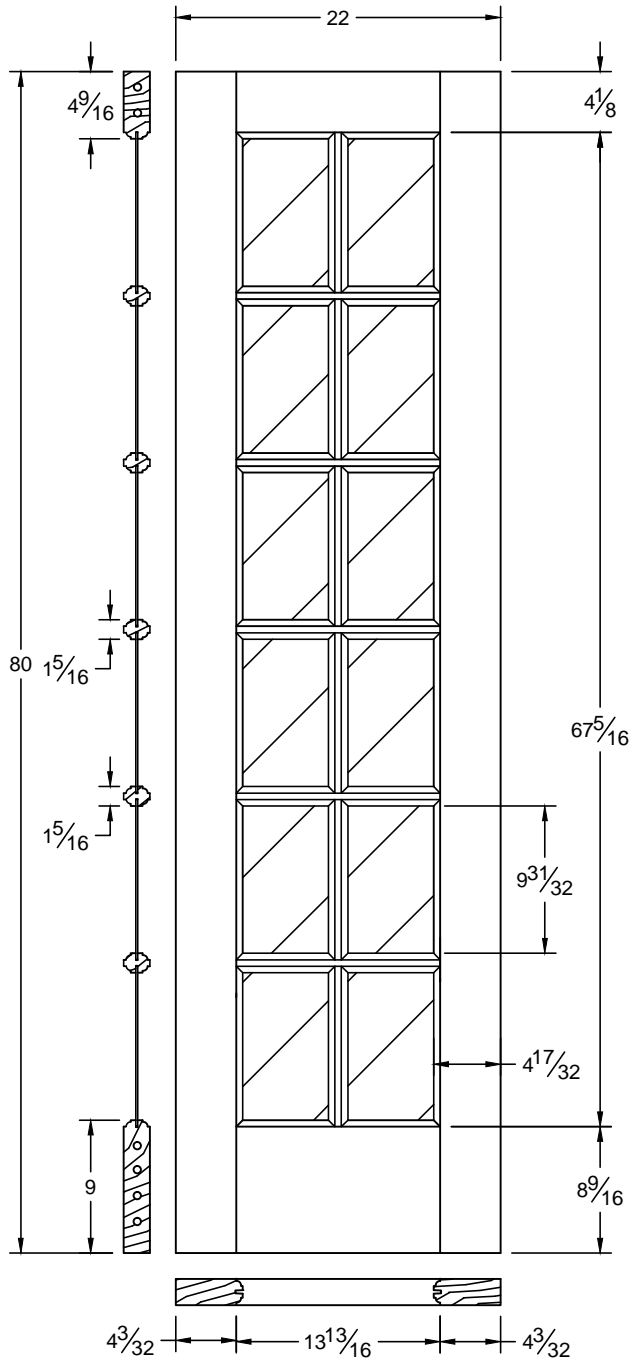


This drawing contains information which is the property of Woodgrain Millwork, Inc. This drawing is received on confidence and contents may not be disclosed without the prior written consent of Woodgrain Millwork, Inc.

626 / 6626

Draw #:	Ovolo 626_24_80
Date:	03 - 30 - 13
Drawn By:	T Doughty





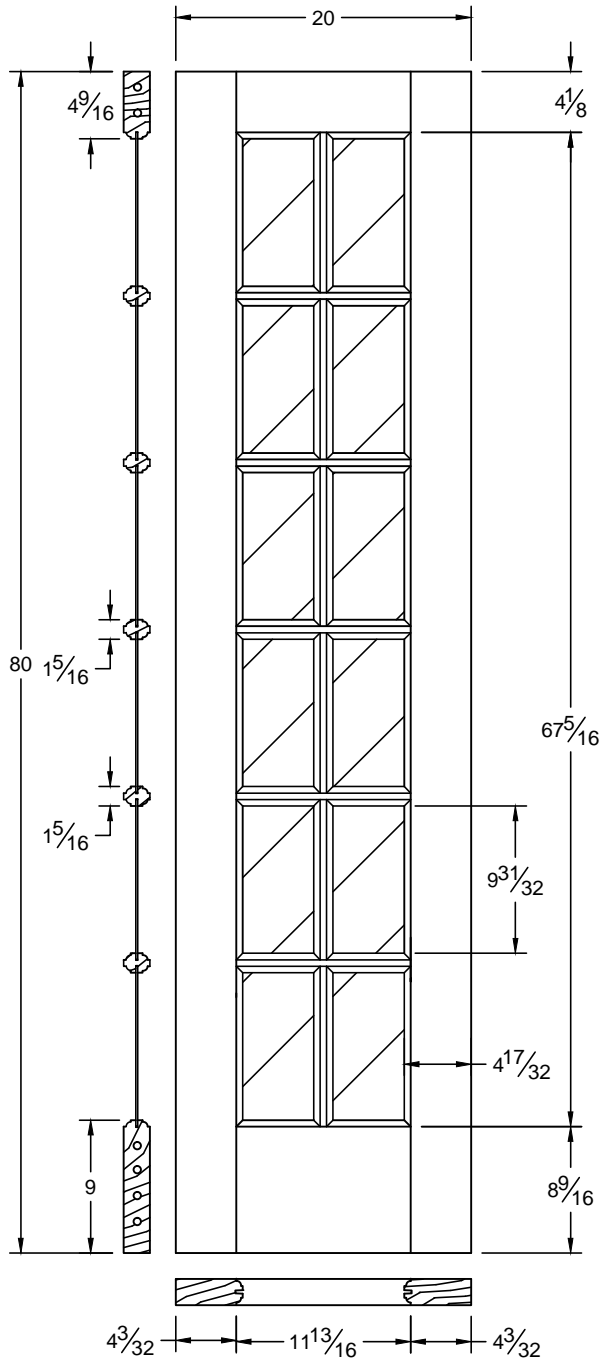
This drawing contains information which is the property of Woodgrain Millwork, Inc. This drawing is received on confidence and contents may not be disclosed without the prior written consent of Woodgrain Millwork, Inc.

626 / 6626

Draw #:	Ovolo 626_22_80
Date:	03 - 30 - 13
Drawn By:	T Doughty


  
 woodgrain doors



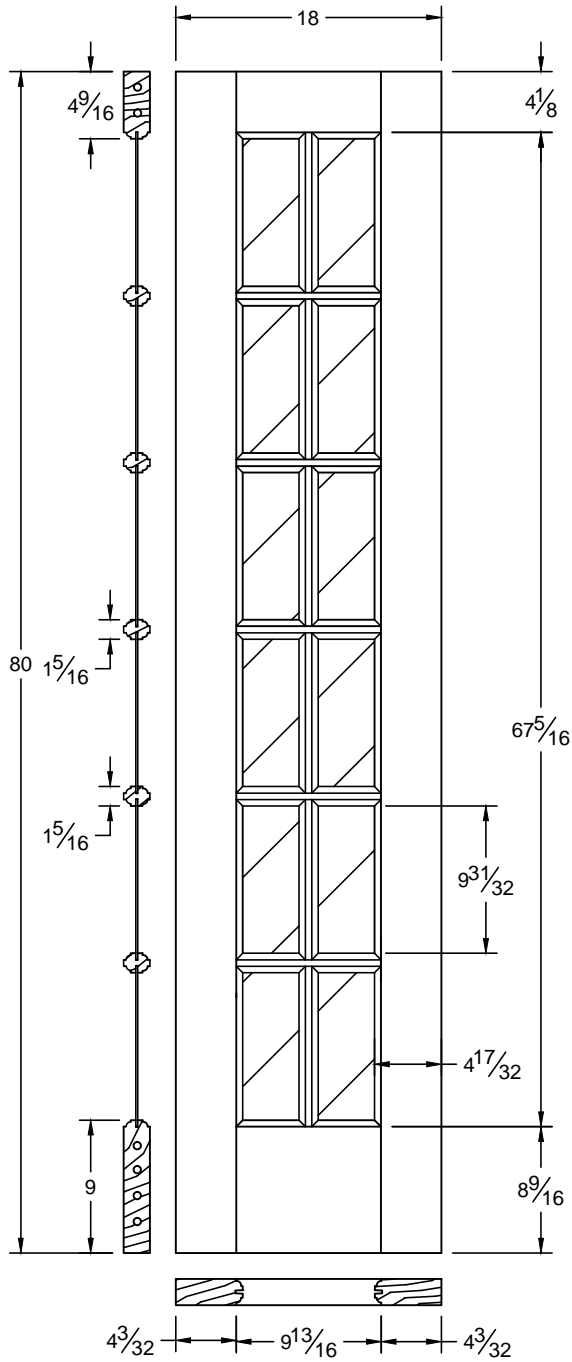


This drawing contains information which is the property of Woodgrain Millwork, Inc. This drawing is received on confidence and contents may not be disclosed without the prior written consent of Woodgrain Millwork, Inc.

626 / 6626

Draw #:	Ovolo 626_20_80
Date:	03 - 30 - 13
Drawn By:	T Doughty


  
 woodgrain doors



This drawing contains information which is the property of Woodgrain Millwork, Inc. This drawing is received on confidence and contents may not be disclosed without the prior written consent of Woodgrain Millwork, Inc.

626 / 6626

Draw #:	Ovolo 626_18_80
Date:	03 - 30 - 13
Drawn By:	T Doughty

 woodgrain doors