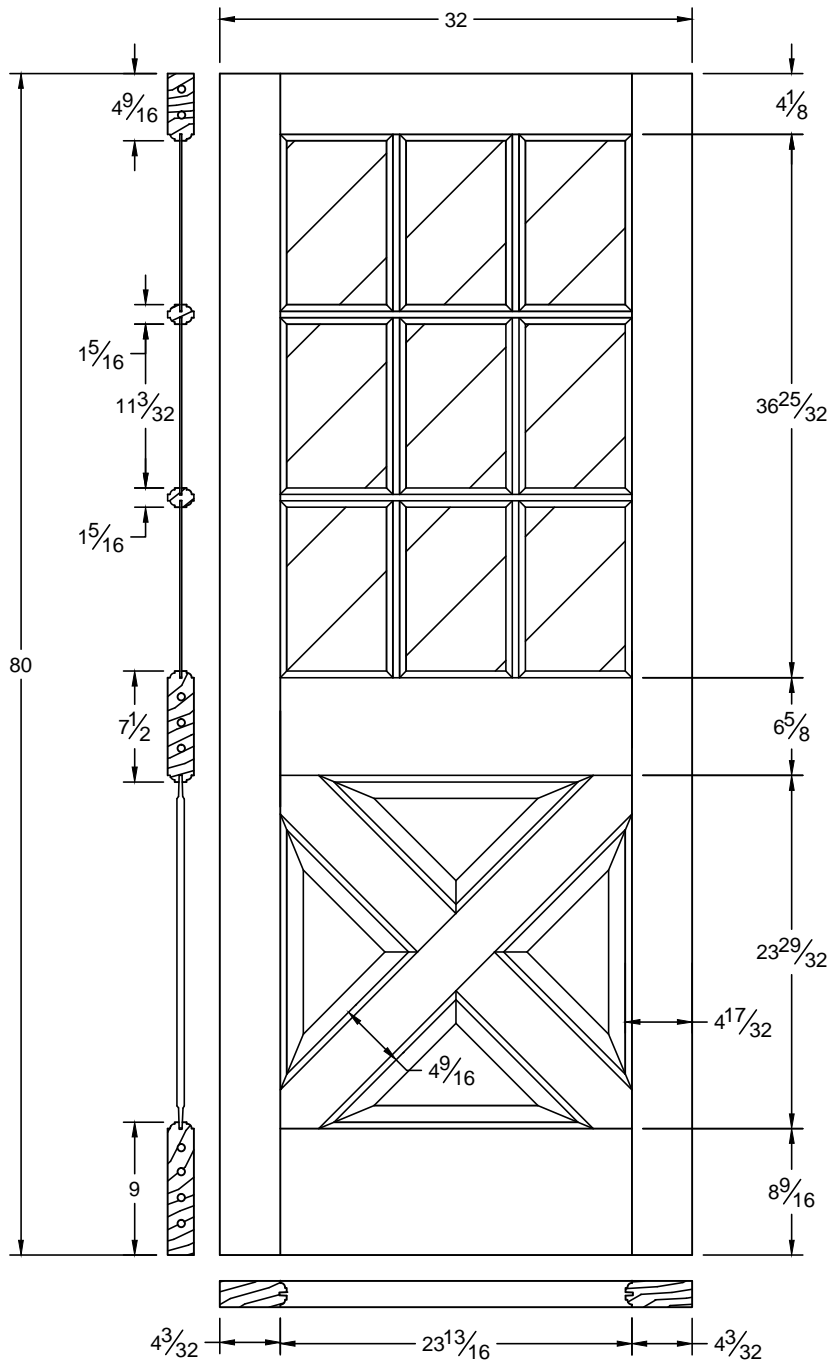


This drawing contains information which is the property of Woodgrain Millwork, Inc. This drawing is received on confidence and contents may not be disclosed without the prior written consent of Woodgrain Millwork, Inc.

612 / 6612

Draw #:	Ovolo 612_36_80
Date:	10 - 05 - 12
Drawn By:	T Doughty



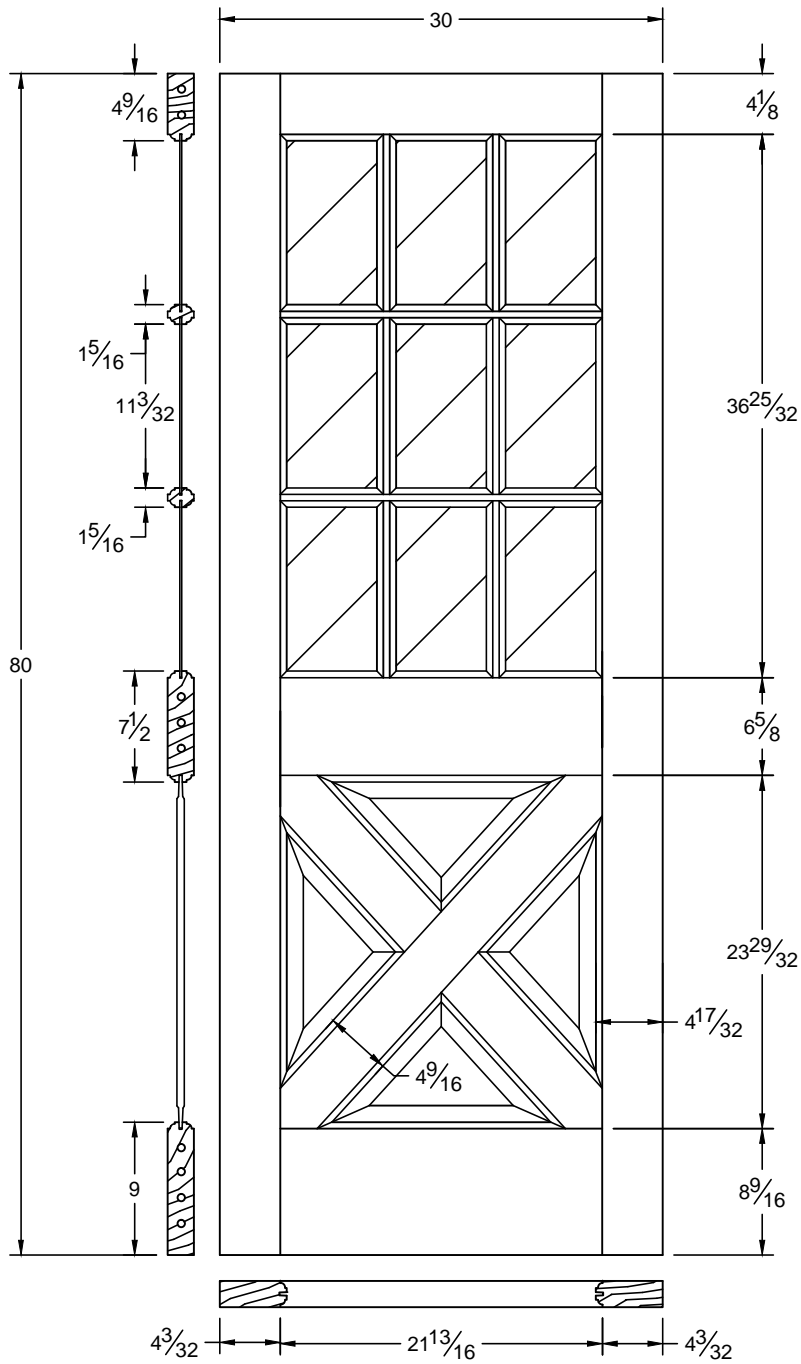


This drawing contains information which is the property of Woodgrain Millwork, Inc. This drawing is received on confidence and contents may not be disclosed without the prior written consent of Woodgrain Millwork, Inc.

612 / 6612

Draw #:	Ovolo 612_32_80
Date:	10 - 05 - 12
Drawn By:	T Doughty





This drawing contains information which is the property of Woodgrain Millwork, Inc. This drawing is received on confidence and contents may not be disclosed without the prior written consent of Woodgrain Millwork, Inc.

612 / 6612

Draw #:	Ovolo 612_30_80
Date:	10 - 04 - 12
Drawn By:	T Doughty

