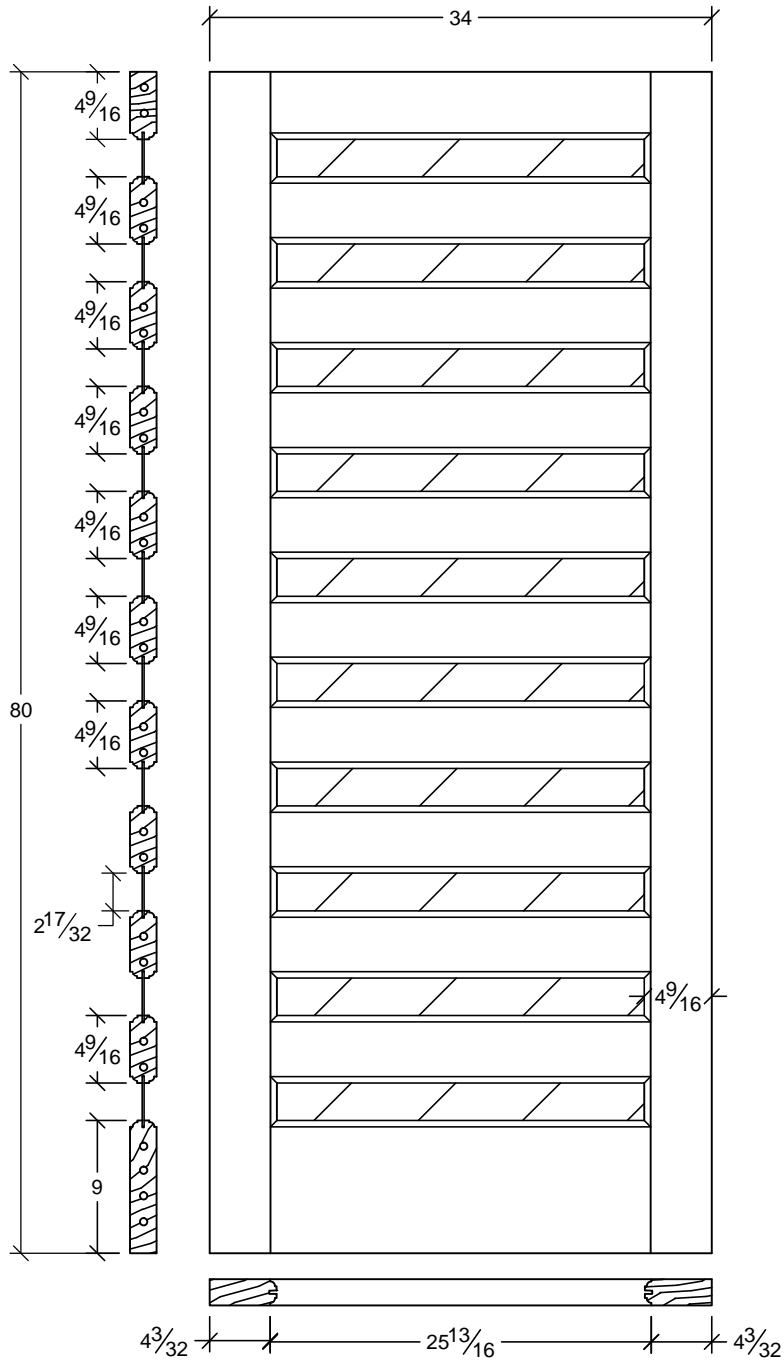


This drawing contains information which is the property of Woodgrain Millwork, Inc. This drawing is received on confidence and contents may not be disclosed without the prior written consent of Woodgrain Millwork, Inc.

610

Draw #:	Ovolo 610_36_80
Date:	07 - 29 - 14
Drawn By:	T Doughty



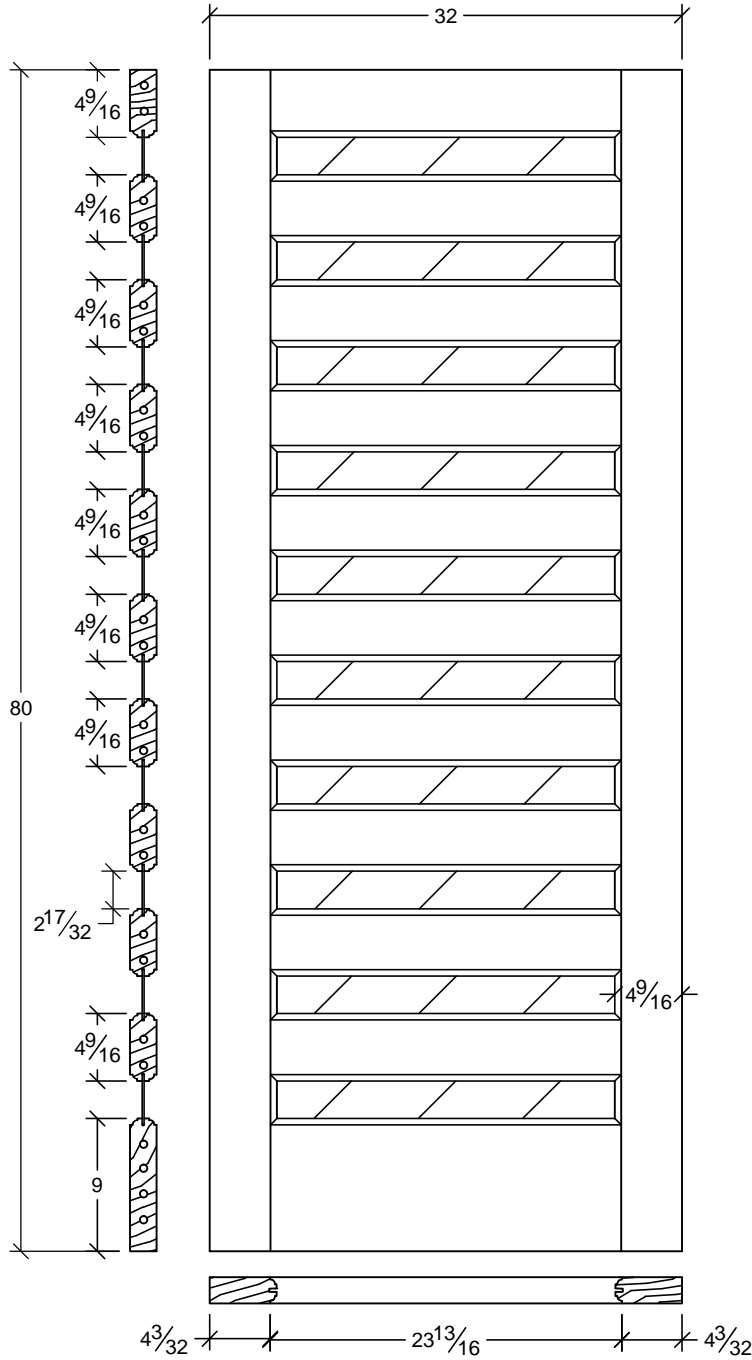


This drawing contains information which is the property of Woodgrain Millwork, Inc. This drawing is received on confidence and contents may not be disclosed without the prior written consent of Woodgrain Millwork, Inc.

610

Draw #:	Ovolo 610_34_80
Date:	07 - 29 - 14
Drawn By:	T Doughty


woodgrain doors

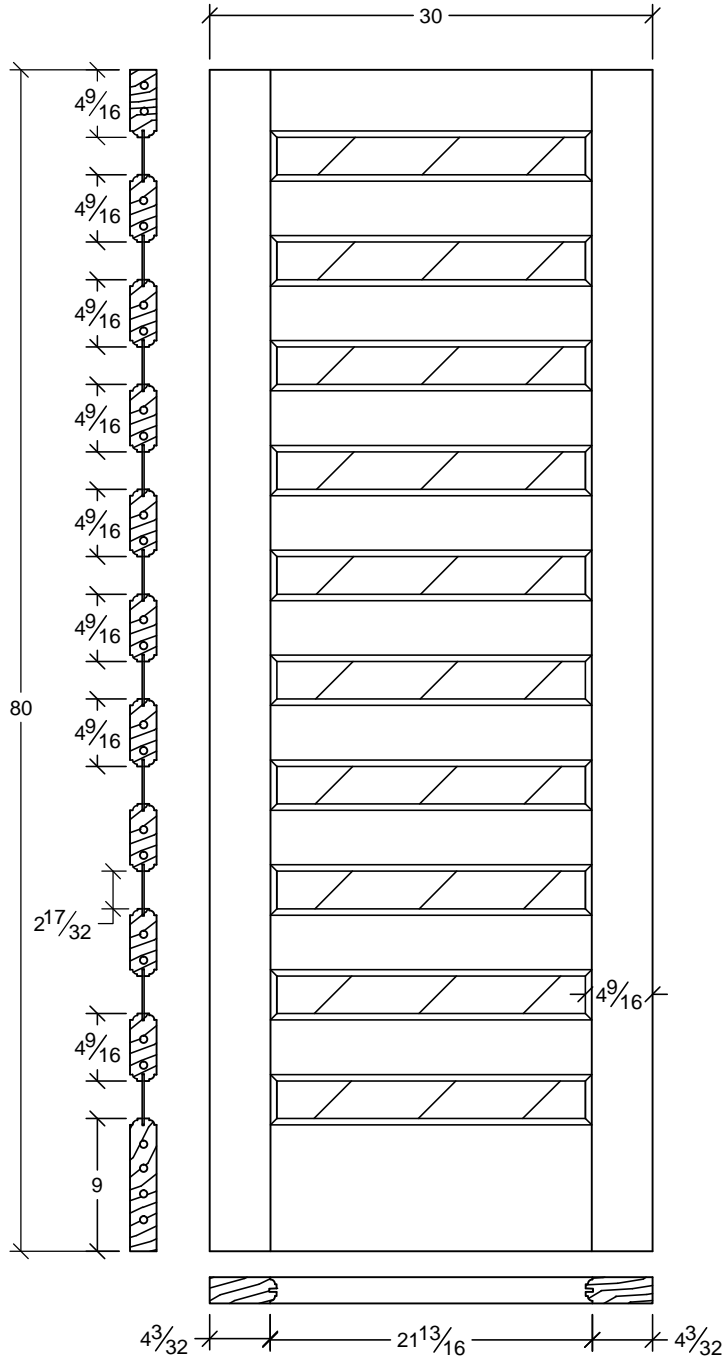


This drawing contains information which is the property of Woodgrain Millwork, Inc. This drawing is received on confidence and contents may not be disclosed without the prior written consent of Woodgrain Millwork, Inc.

610

Draw #:	Ovolo 610_32_80
Date:	07 - 29 - 14
Drawn By:	T Doughty



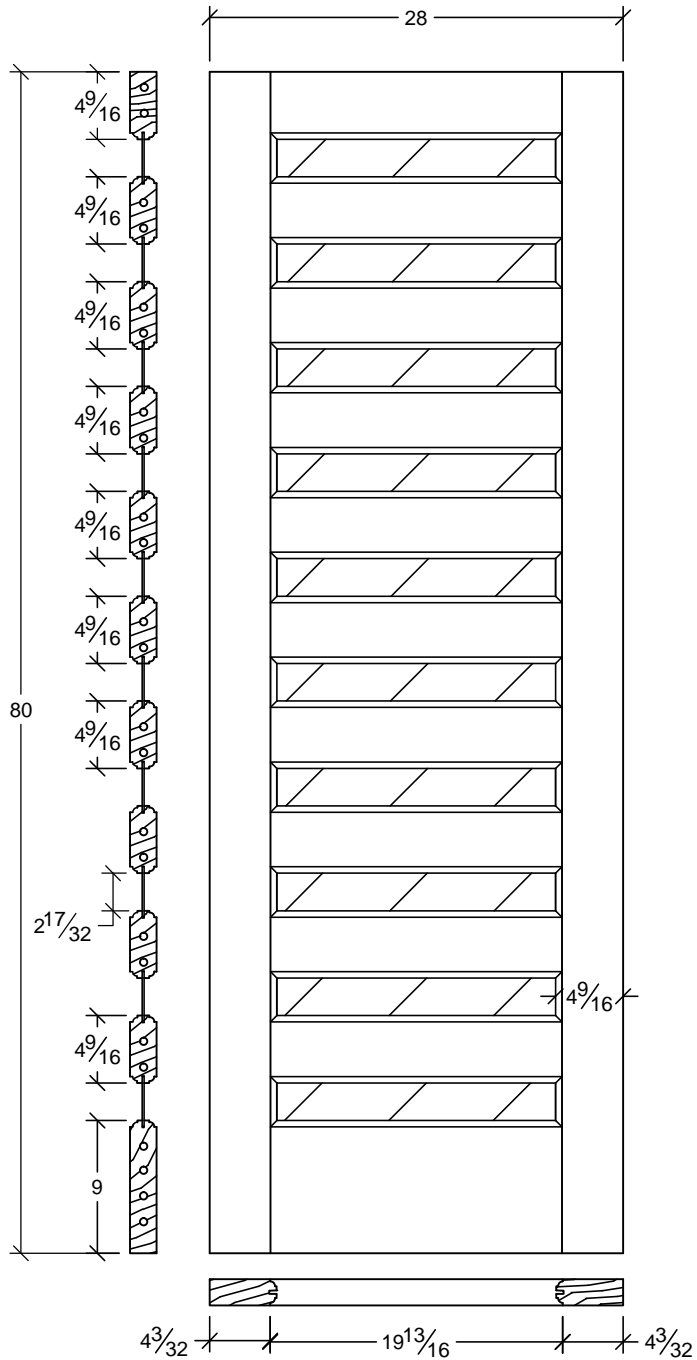


This drawing contains information which is the property of Woodgrain Millwork, Inc. This drawing is received on confidence and contents may not be disclosed without the prior written consent of Woodgrain Millwork, Inc.

610

Draw #:	Ovolo 610_30_80
Date:	07 - 29 - 14
Drawn By:	T Doughty


woodgrain doors

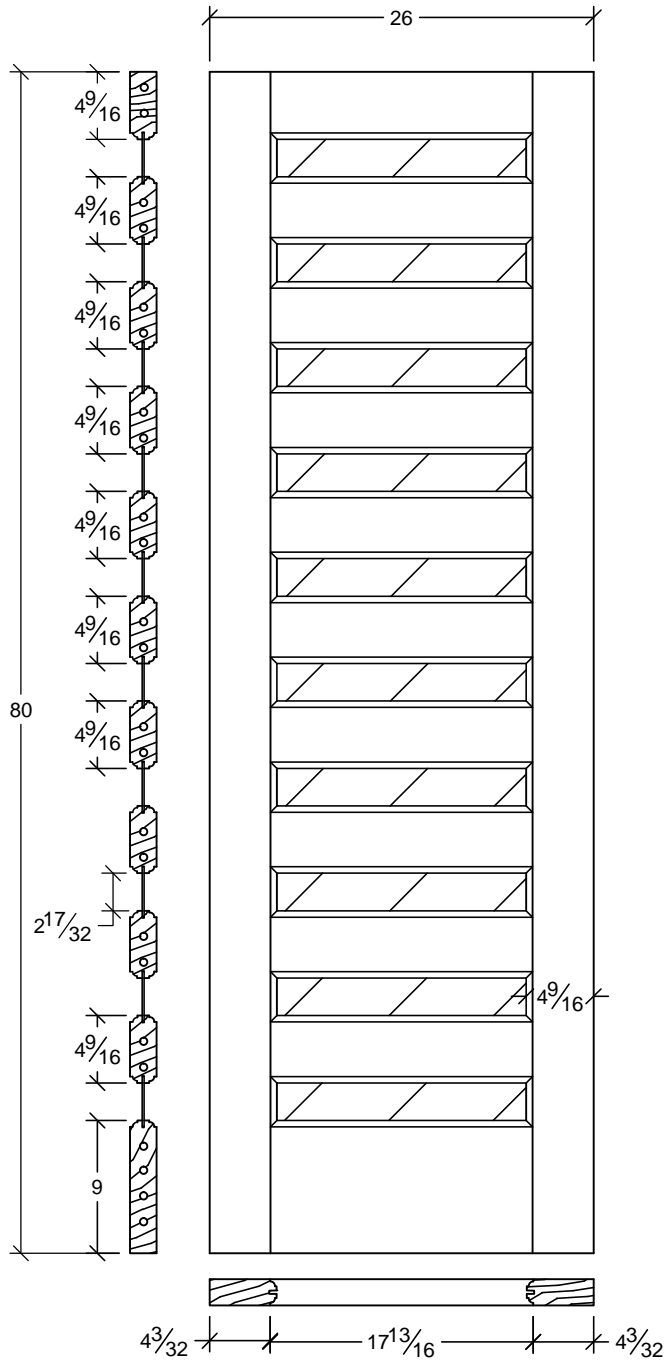


This drawing contains information which is the property of Woodgrain Millwork, Inc. This drawing is received on confidence and contents may not be disclosed without the prior written consent of Woodgrain Millwork, Inc.

610

Draw #:	Ovolo 610_28_80
Date:	07 - 29 - 14
Drawn By:	T Doughty

 woodgrain doors

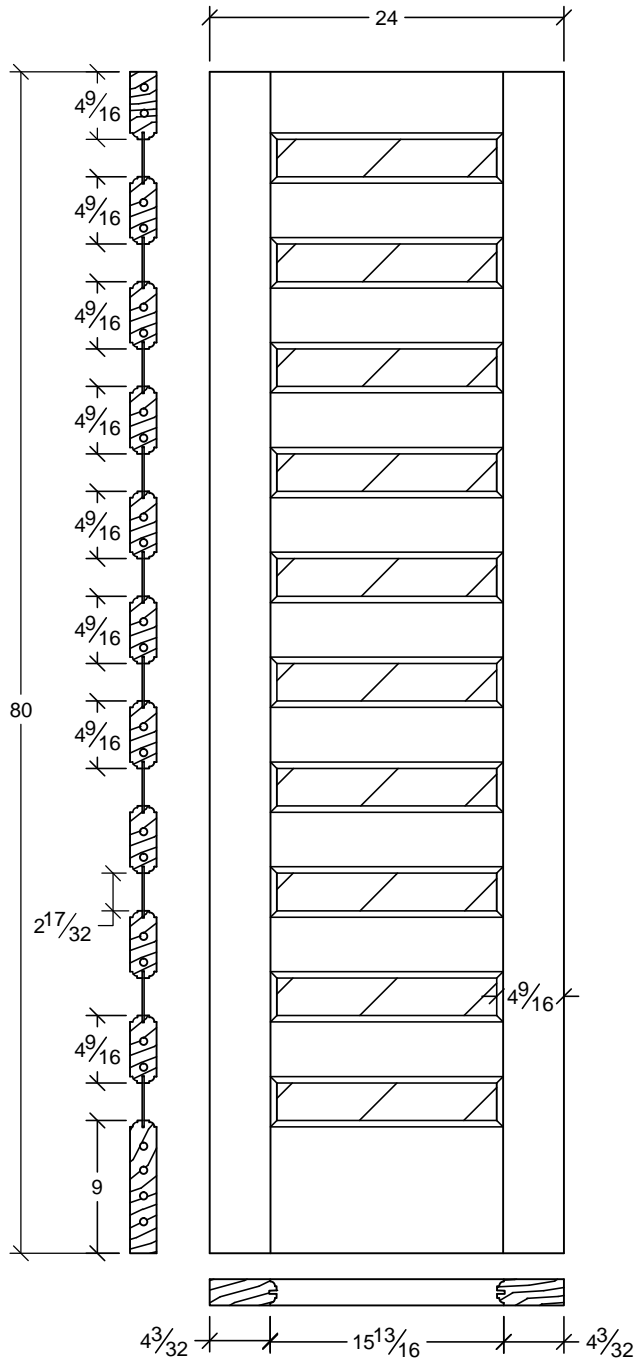


This drawing contains information which is the property of Woodgrain Millwork, Inc. This drawing is received on confidence and contents may not be disclosed without the prior written consent of Woodgrain Millwork, Inc.

610

Draw #:	Ovolo 610_26_80
Date:	07 - 29 - 14
Drawn By:	T Doughty



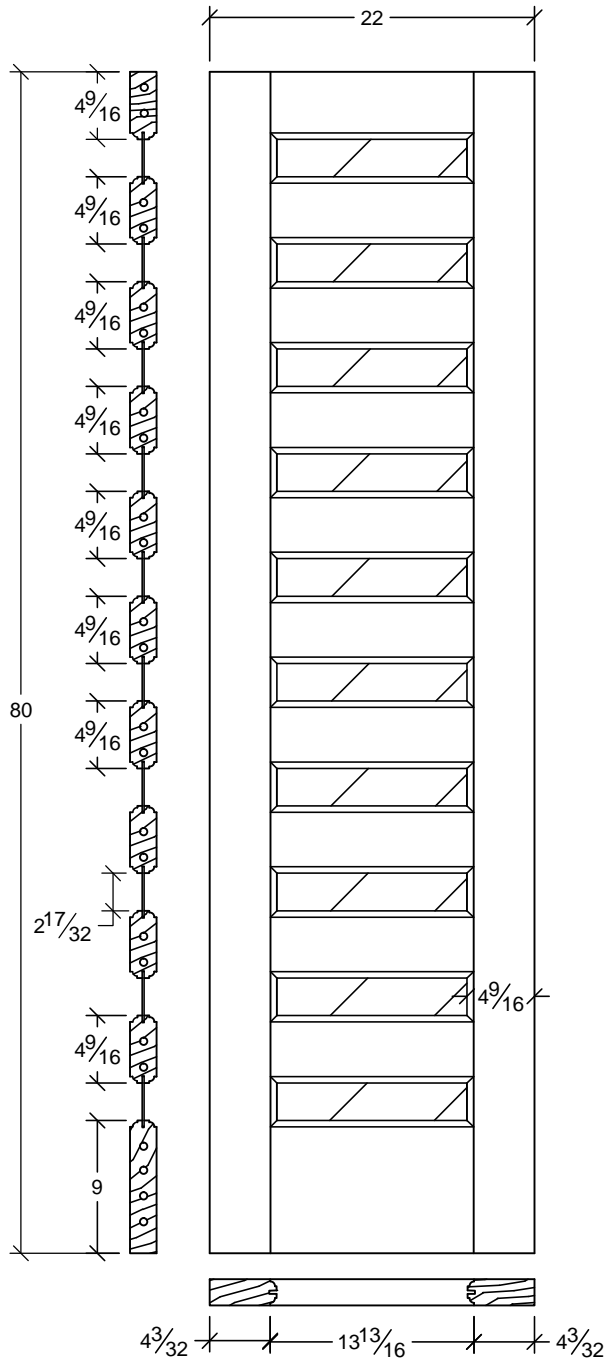


This drawing contains information which is the property of Woodgrain Millwork, Inc. This drawing is received on confidence and contents may not be disclosed without the prior written consent of Woodgrain Millwork, Inc.

610

Draw #:	Ovolo 610_24_80
Date:	07 - 29 - 14
Drawn By:	T Doughty


woodgrain doors

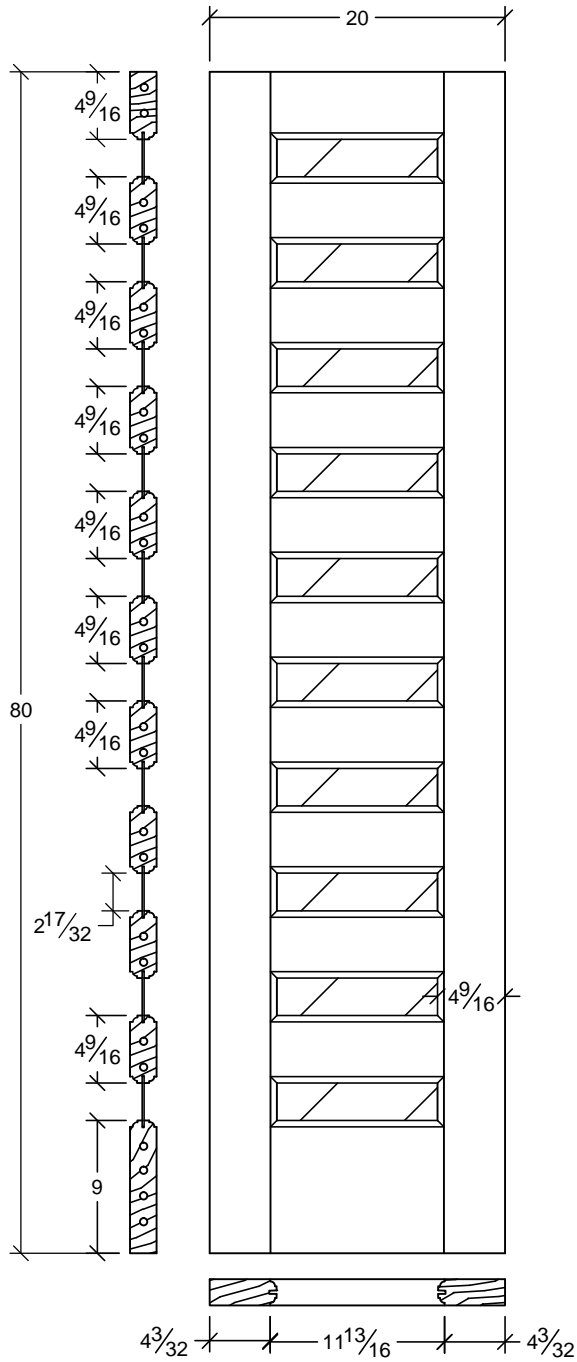


This drawing contains information which is the property of Woodgrain Millwork, Inc. This drawing is received on confidence and contents may not be disclosed without the prior written consent of Woodgrain Millwork, Inc.

610

Draw #:	Ovolo 610_22_80
Date:	07 - 29 - 14
Drawn By:	T Doughty



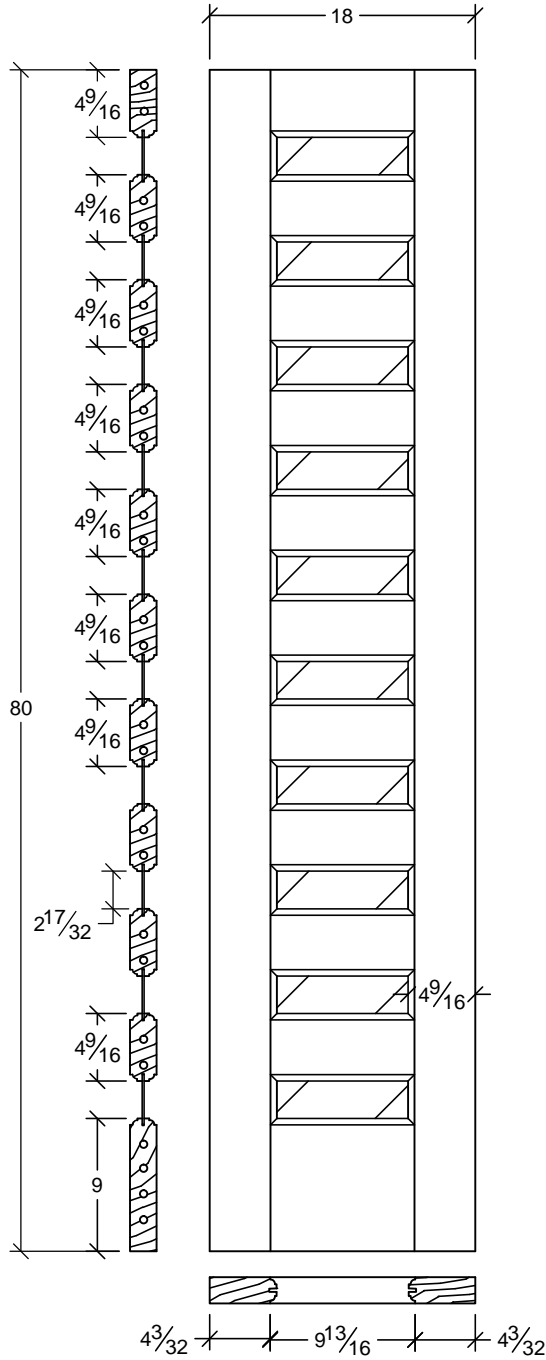


This drawing contains information which is the property of Woodgrain Millwork, Inc. This drawing is received on confidence and contents may not be disclosed without the prior written consent of Woodgrain Millwork, Inc.

610

Draw #:	Ovolo 610_20_80
Date:	07 - 29 - 14
Drawn By:	T Doughty

 woodgrain doors



This drawing contains information which is the property of Woodgrain Millwork, Inc. This drawing is received on confidence and contents may not be disclosed without the prior written consent of Woodgrain Millwork, Inc.

610

Draw #:	Ovolo 610_18_80
Date:	07 - 29 - 14
Drawn By:	T Doughty

 woodgrain doors