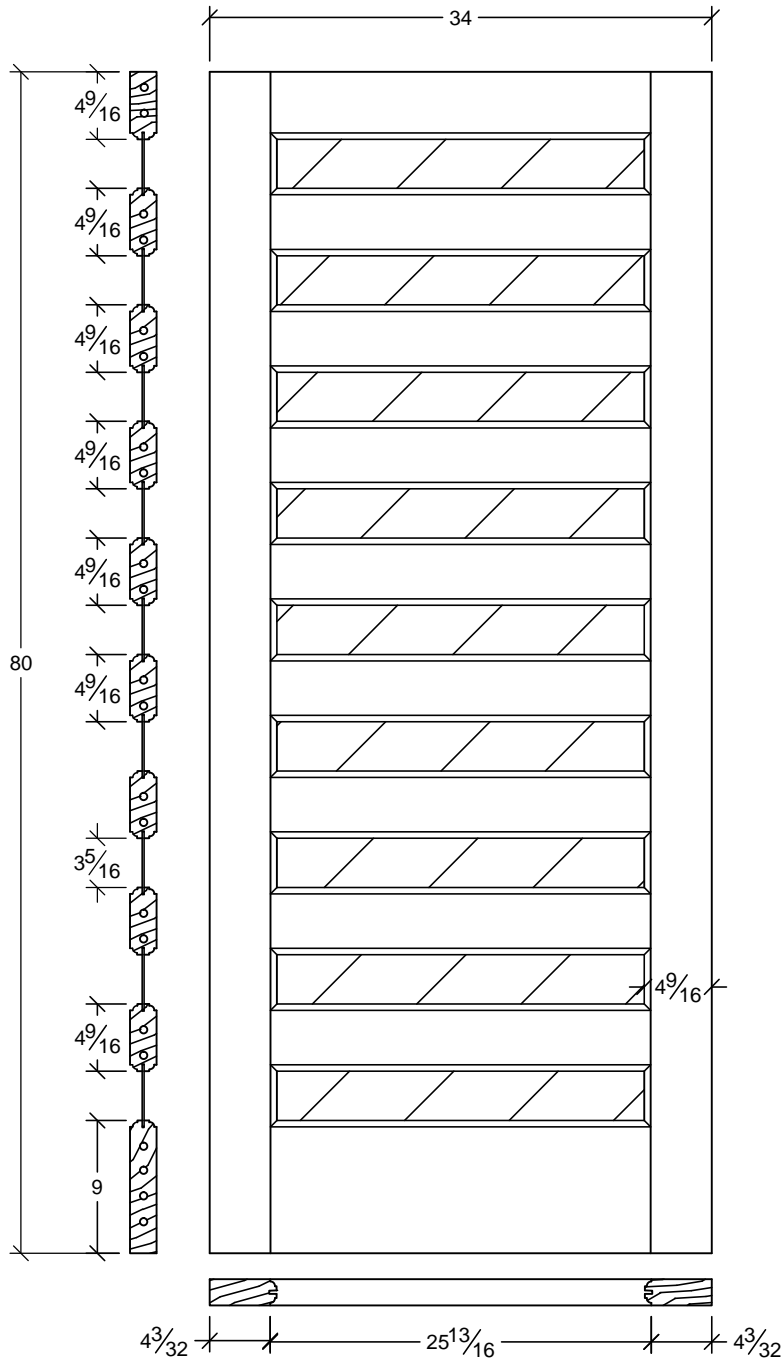


This drawing contains information which is the property of Woodgrain Millwork, Inc. This drawing is received on confidence and contents may not be disclosed without the prior written consent of Woodgrain Millwork, Inc.

609

Draw #:	Ovolo 609_36_80
Date:	07 - 29 - 14
Drawn By:	T Doughty


woodgrain doors

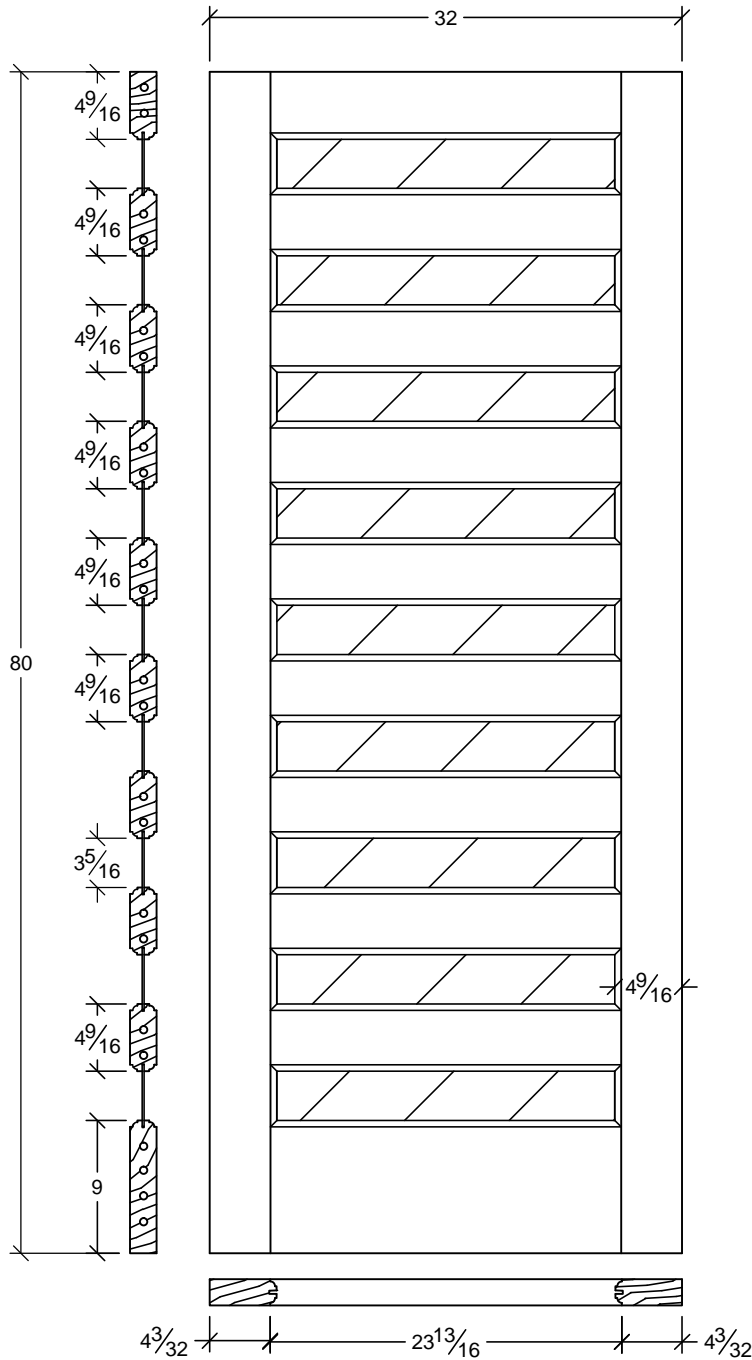


This drawing contains information which is the property of Woodgrain Millwork, Inc. This drawing is received on confidence and contents may not be disclosed without the prior written consent of Woodgrain Millwork, Inc.

609

Draw #:	Ovolo 609_34_80
Date:	07 - 29 - 14
Drawn By:	T Doughty



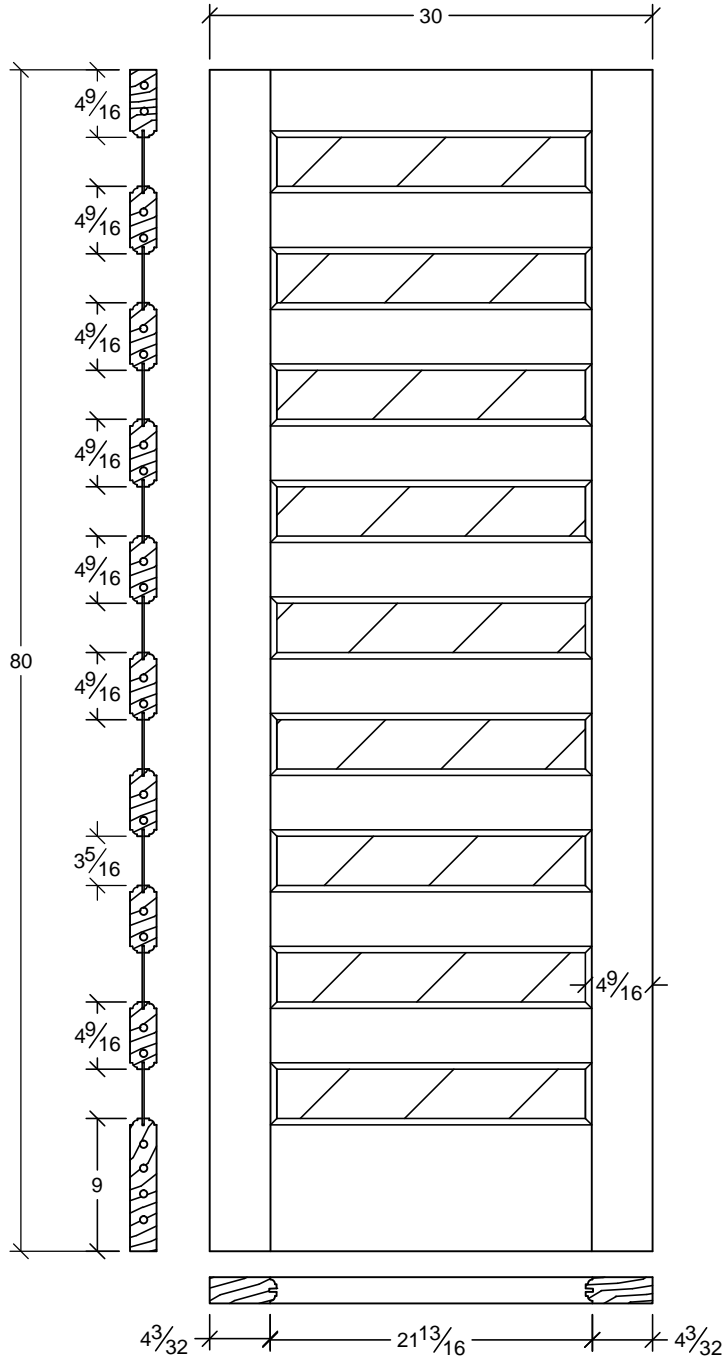


This drawing contains information which is the property of Woodgrain Millwork, Inc. This drawing is received on confidence and contents may not be disclosed without the prior written consent of Woodgrain Millwork, Inc.

609

Draw #:	Ovolo 609_32_80
Date:	07 - 29 - 14
Drawn By:	T Doughty



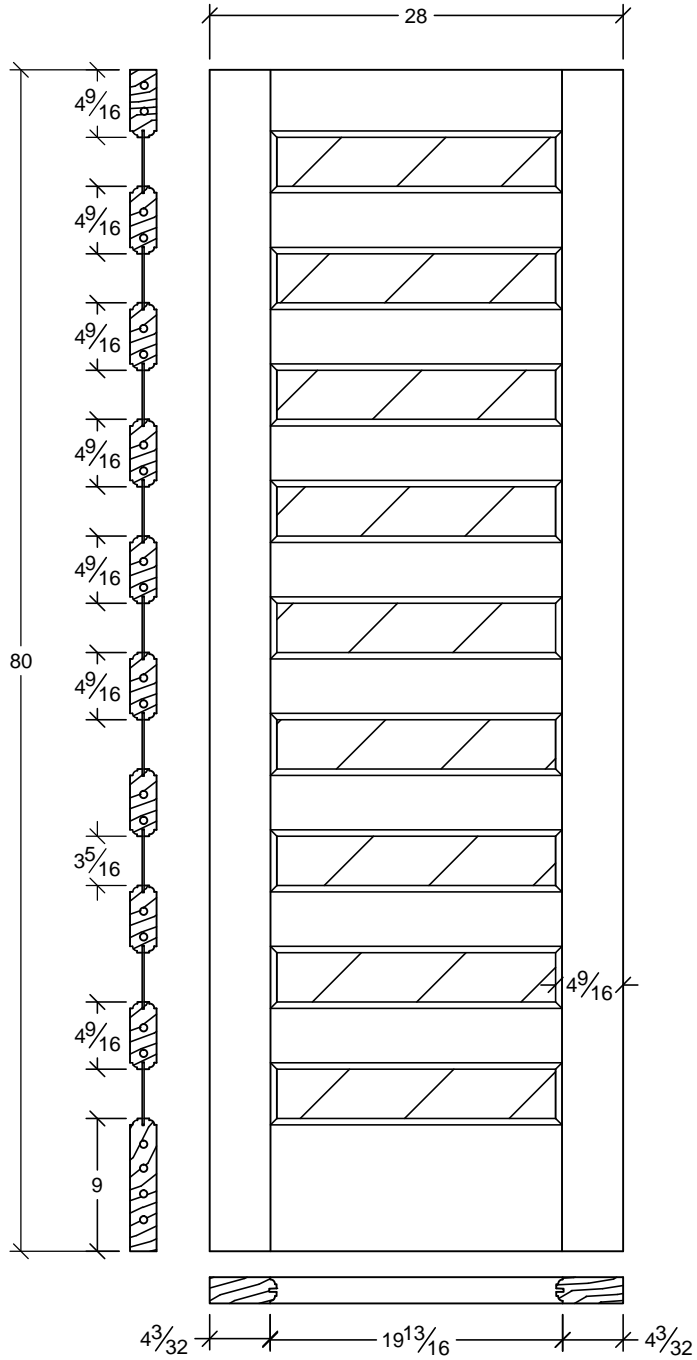


This drawing contains information which is the property of Woodgrain Millwork, Inc. This drawing is received on confidence and contents may not be disclosed without the prior written consent of Woodgrain Millwork, Inc.

609

Draw #:	Ovolo 609_30_80
Date:	07 - 29 - 14
Drawn By:	T Doughty



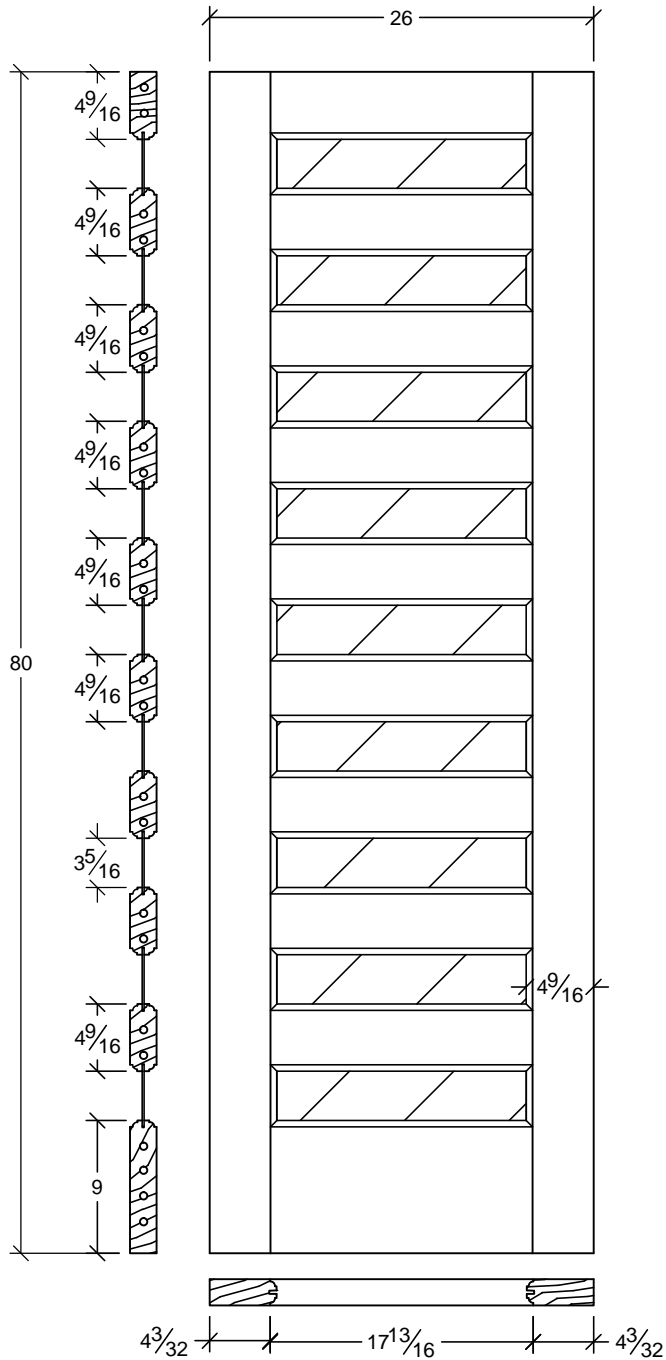


This drawing contains information which is the property of Woodgrain Millwork, Inc. This drawing is received on confidence and contents may not be disclosed without the prior written consent of Woodgrain Millwork, Inc.

609

Draw #:	Ovolo 609_28_80
Date:	07 - 29 - 14
Drawn By:	T Doughty



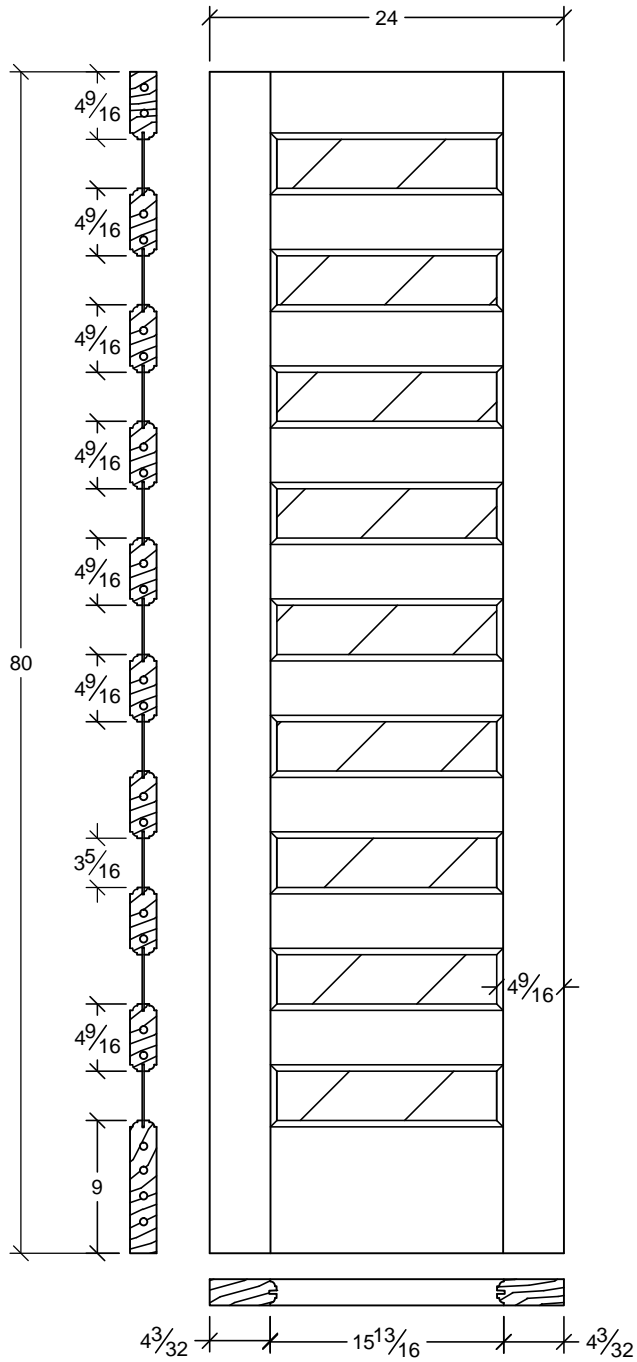


This drawing contains information which is the property of Woodgrain Millwork, Inc. This drawing is received on confidence and contents may not be disclosed without the prior written consent of Woodgrain Millwork, Inc.

609

Draw #:	Ovolo 609_26_80
Date:	07 - 29 - 14
Drawn By:	T Doughty


woodgrain doors

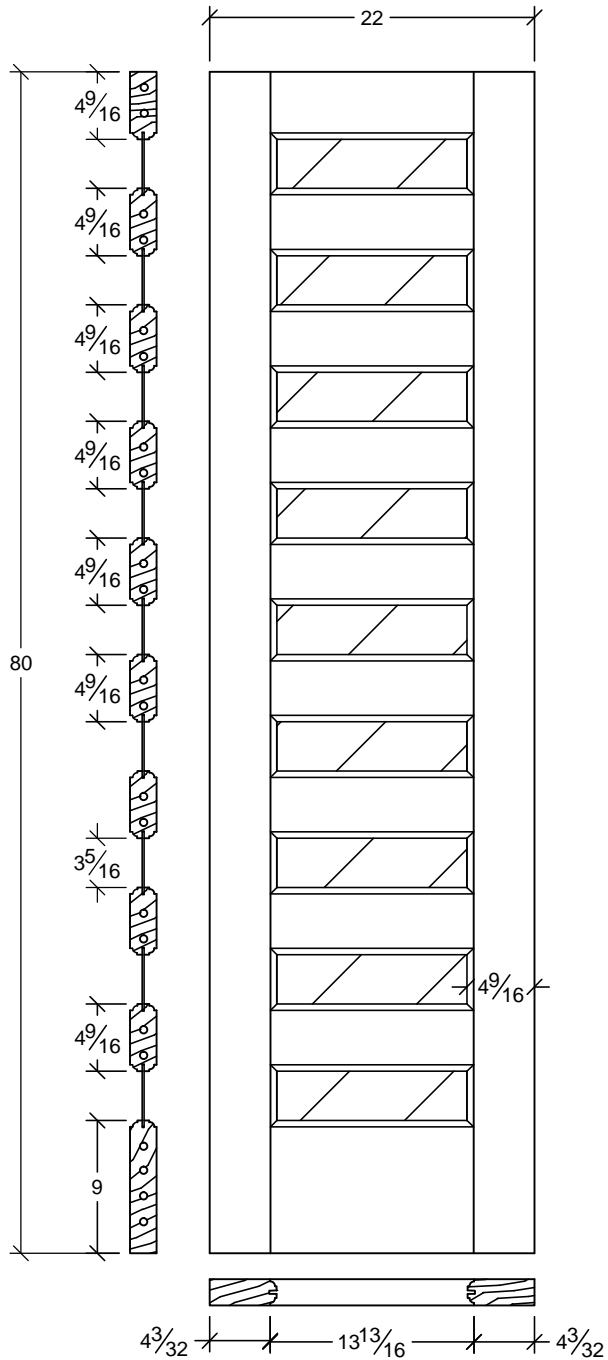


This drawing contains information which is the property of Woodgrain Millwork, Inc. This drawing is received on confidence and contents may not be disclosed without the prior written consent of Woodgrain Millwork, Inc.

609

Draw #:	Ovolo 609_24_80
Date:	07 - 29 - 14
Drawn By:	T Doughty



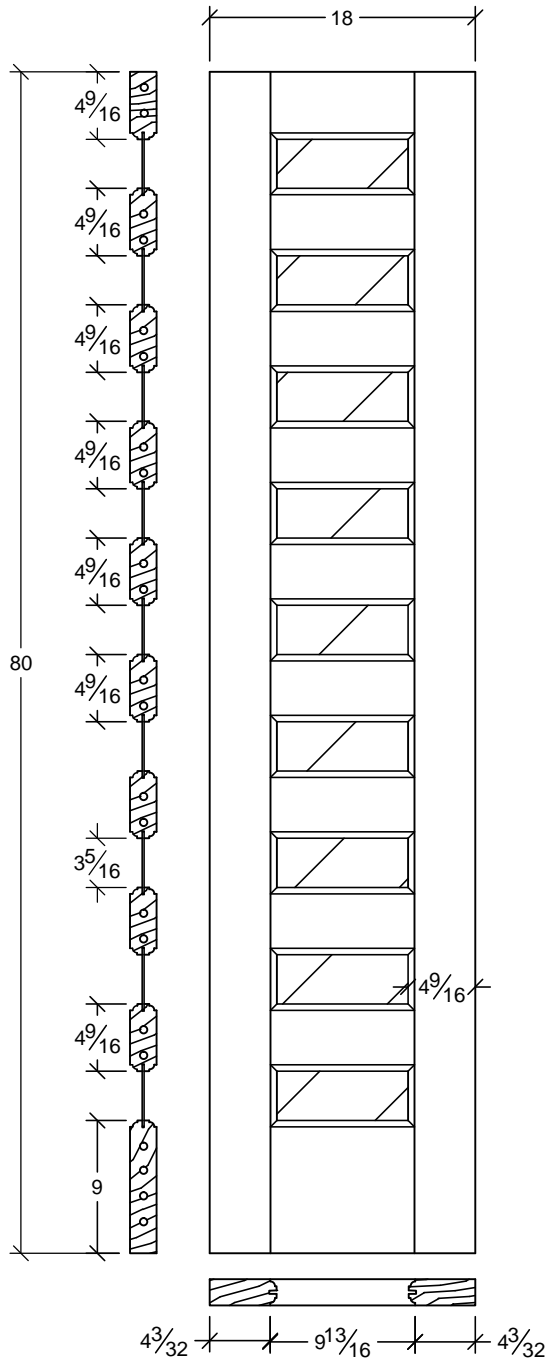


This drawing contains information which is the property of Woodgrain Millwork, Inc. This drawing is received on confidence and contents may not be disclosed without the prior written consent of Woodgrain Millwork, Inc.

609

Draw #:	Ovolo 609_22_80
Date:	07 - 29 - 14
Drawn By:	T Doughty


woodgrain doors



This drawing contains information which is the property of Woodgrain Millwork, Inc. This drawing is received on confidence and contents may not be disclosed without the prior written consent of Woodgrain Millwork, Inc.

609

Draw #:	Ovolo 609_18_80
Date:	07 - 29 - 14
Drawn By:	T Doughty


woodgrain doors