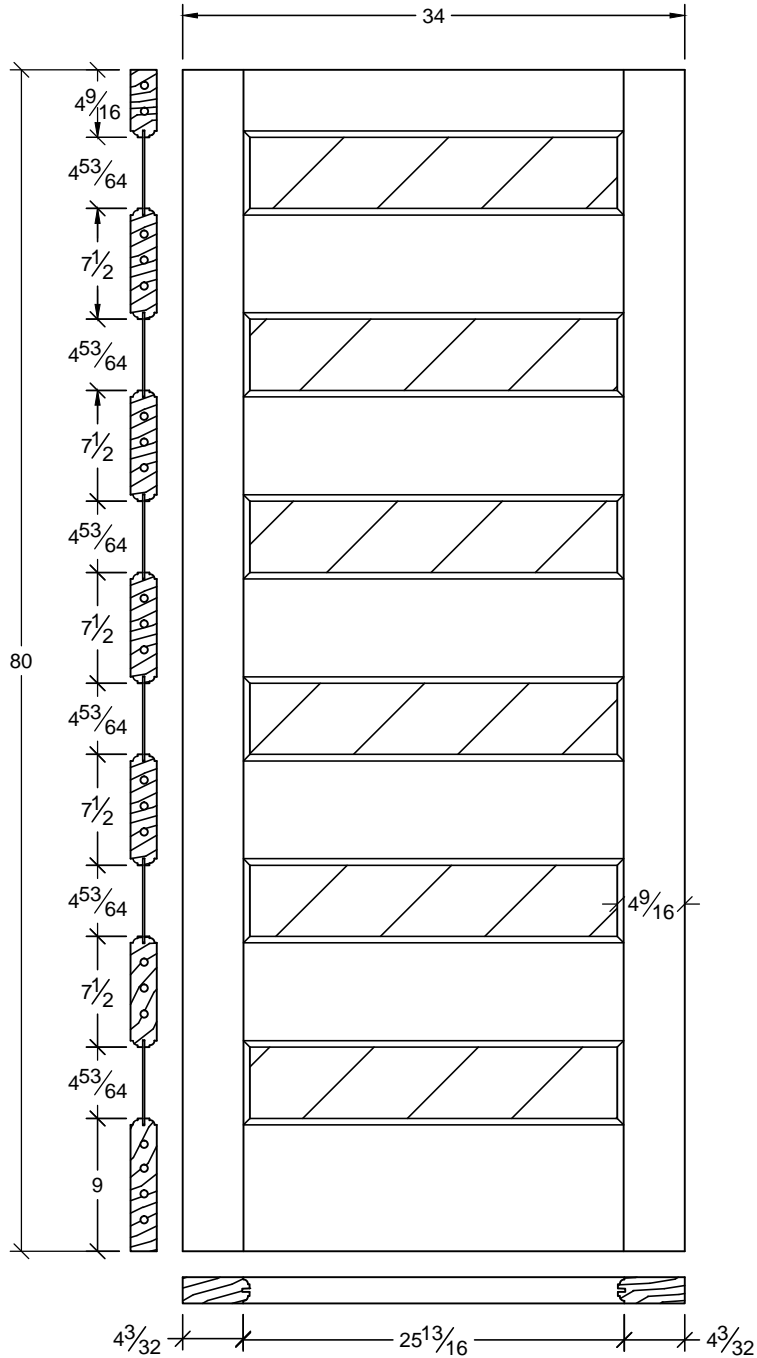


This drawing contains information which is the property of Woodgrain Millwork, Inc. This drawing is received on confidence and contents may not be disclosed without the prior written consent of Woodgrain Millwork, Inc.

606W

Draw #:	Ovolo 606W_36_80
Date:	07 - 30 - 14
Drawn By:	T Doughty



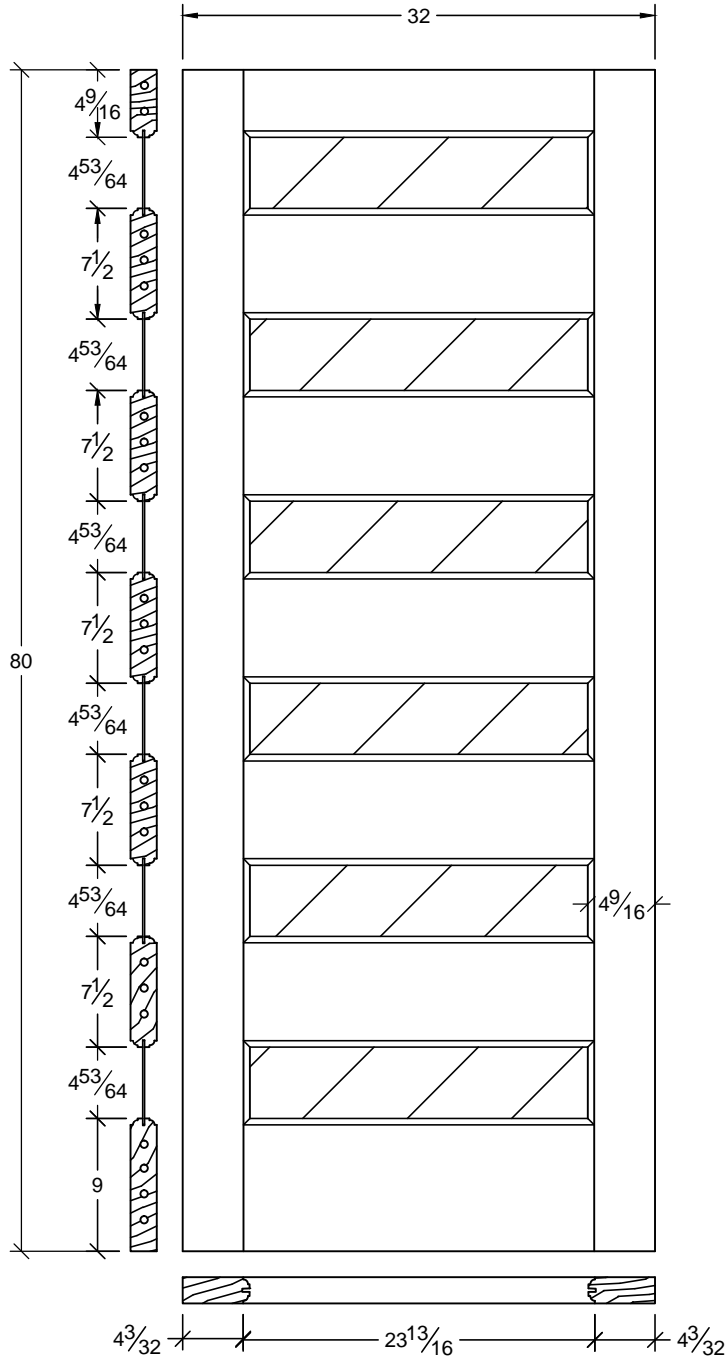


This drawing contains information which is the property of Woodgrain Millwork, Inc. This drawing is received on confidence and contents may not be disclosed without the prior written consent of Woodgrain Millwork, Inc.

606W

Draw #:	Ovolo 606W_34_80
Date:	07 - 30 - 14
Drawn By:	T Doughty



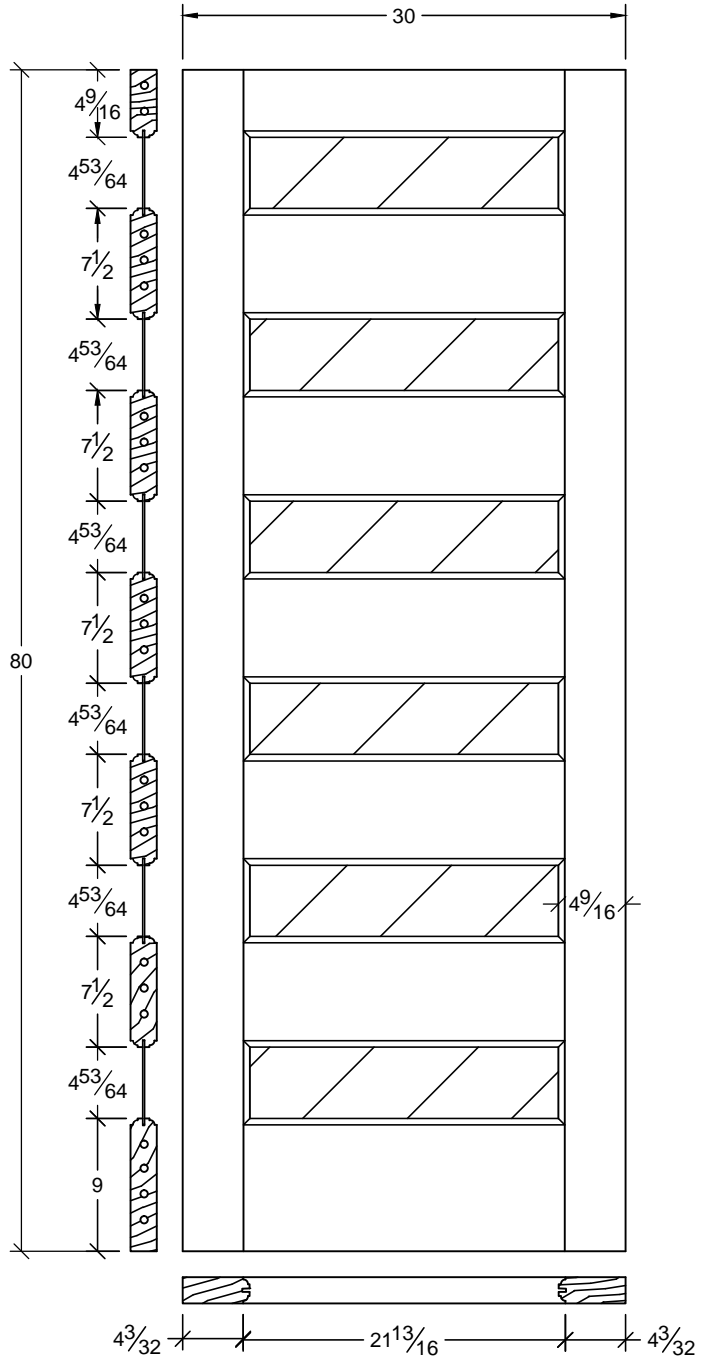


This drawing contains information which is the property of Woodgrain Millwork, Inc. This drawing is received on confidence and contents may not be disclosed without the prior written consent of Woodgrain Millwork, Inc.

606W

Draw #:	Ovolo 606W_32_80
Date:	07 - 30 - 14
Drawn By:	T Doughty


woodgrain doors

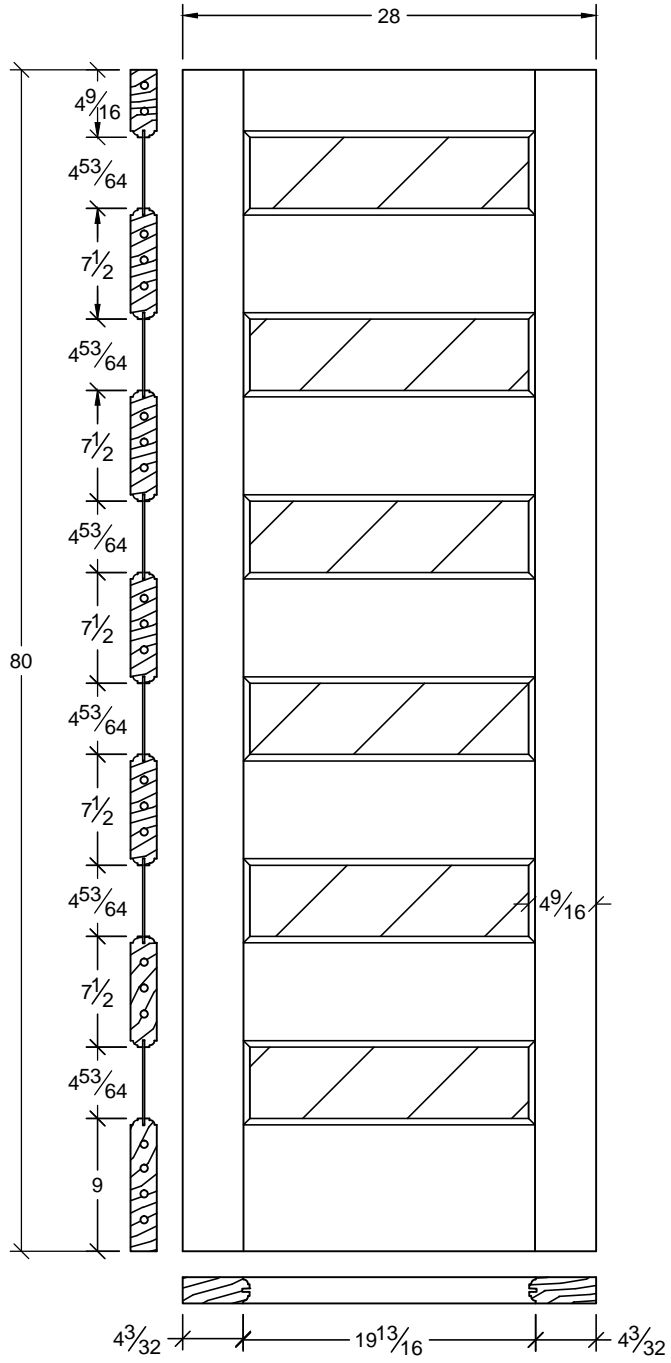


This drawing contains information which is the property of Woodgrain Millwork, Inc. This drawing is received on confidence and contents may not be disclosed without the prior written consent of Woodgrain Millwork, Inc.

606W

Draw #:	Ovolo 606W_30_80
Date:	07 - 30 - 14
Drawn By:	T Doughty



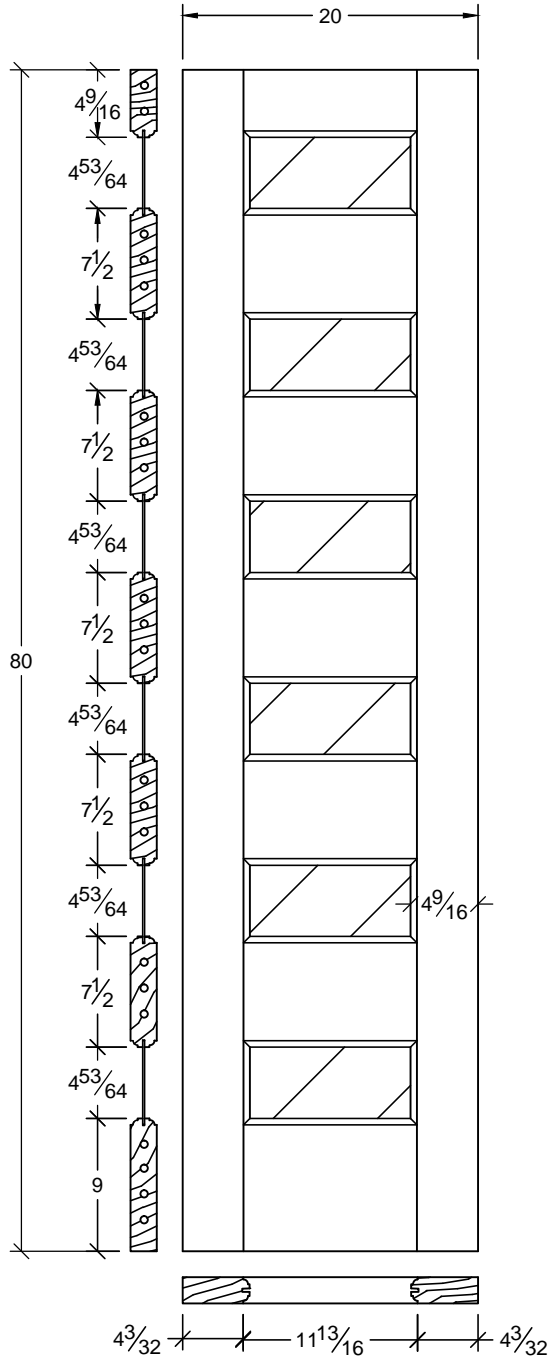


This drawing contains information which is the property of Woodgrain Millwork, Inc. This drawing is received on confidence and contents may not be disclosed without the prior written consent of Woodgrain Millwork, Inc.

606W

Draw #:	Ovolo 606W_28_80
Date:	07 - 30 - 14
Drawn By:	T Doughty


woodgrain doors

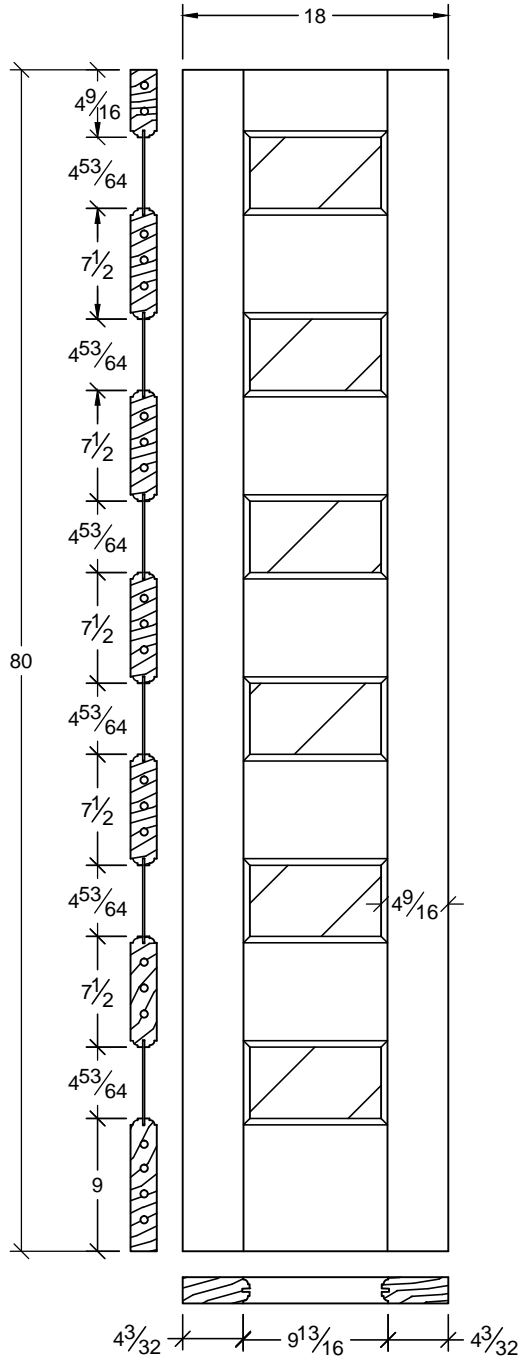


This drawing contains information which is the property of Woodgrain Millwork, Inc. This drawing is received on confidence and contents may not be disclosed without the prior written consent of Woodgrain Millwork, Inc.

606W

Draw #:	Ovolo 606W_20_80
Date:	07 - 30 - 14
Drawn By:	T Doughty





This drawing contains information which is the property of Woodgrain Millwork, Inc. This drawing is received on confidence and contents may not be disclosed without the prior written consent of Woodgrain Millwork, Inc.

606W

Draw #:	Ovolo 606W_18_80
Date:	07 - 30 - 14
Drawn By:	T Doughty

