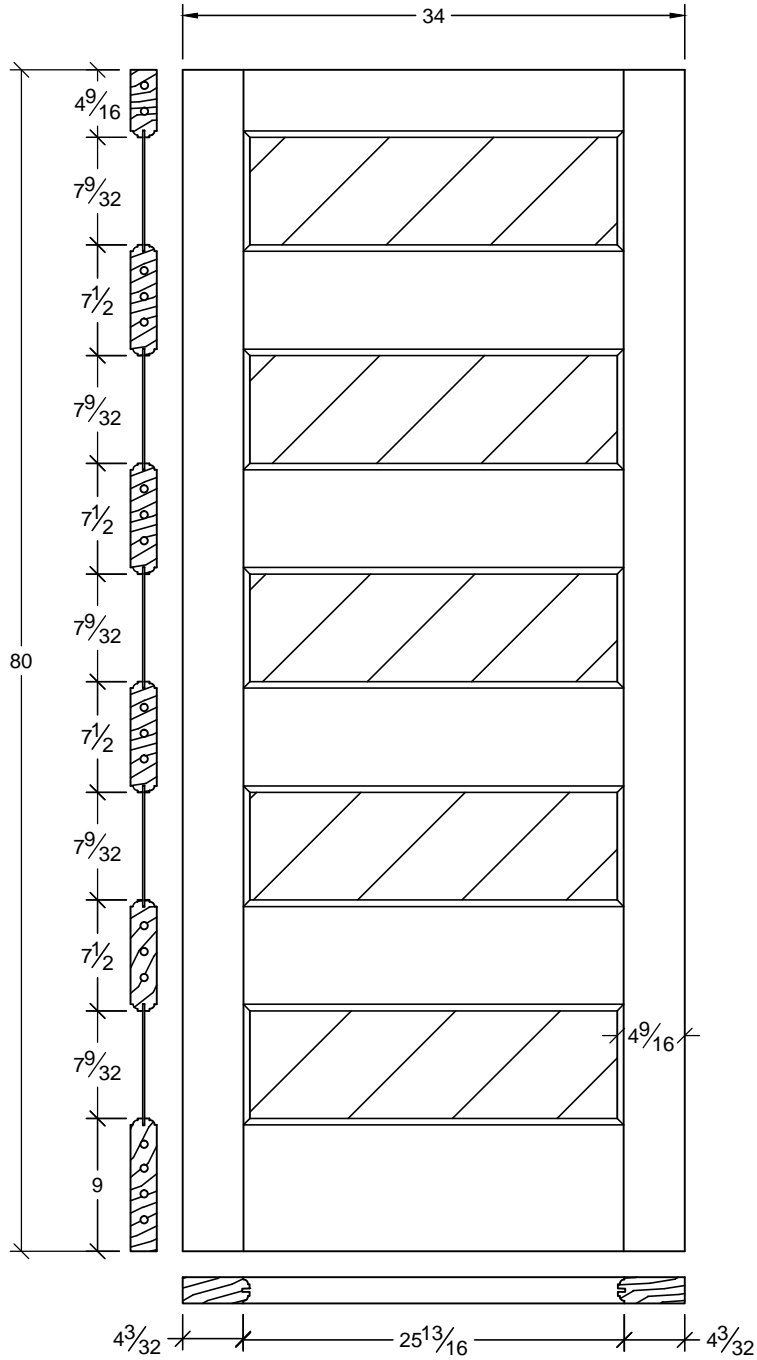


This drawing contains information which is the property of Woodgrain Millwork, Inc. This drawing is received on confidence and contents may not be disclosed without the prior written consent of Woodgrain Millwork, Inc.

605W

Draw #:	Ovolo 605W_36_80
Date:	07 - 30 - 14
Drawn By:	T Doughty



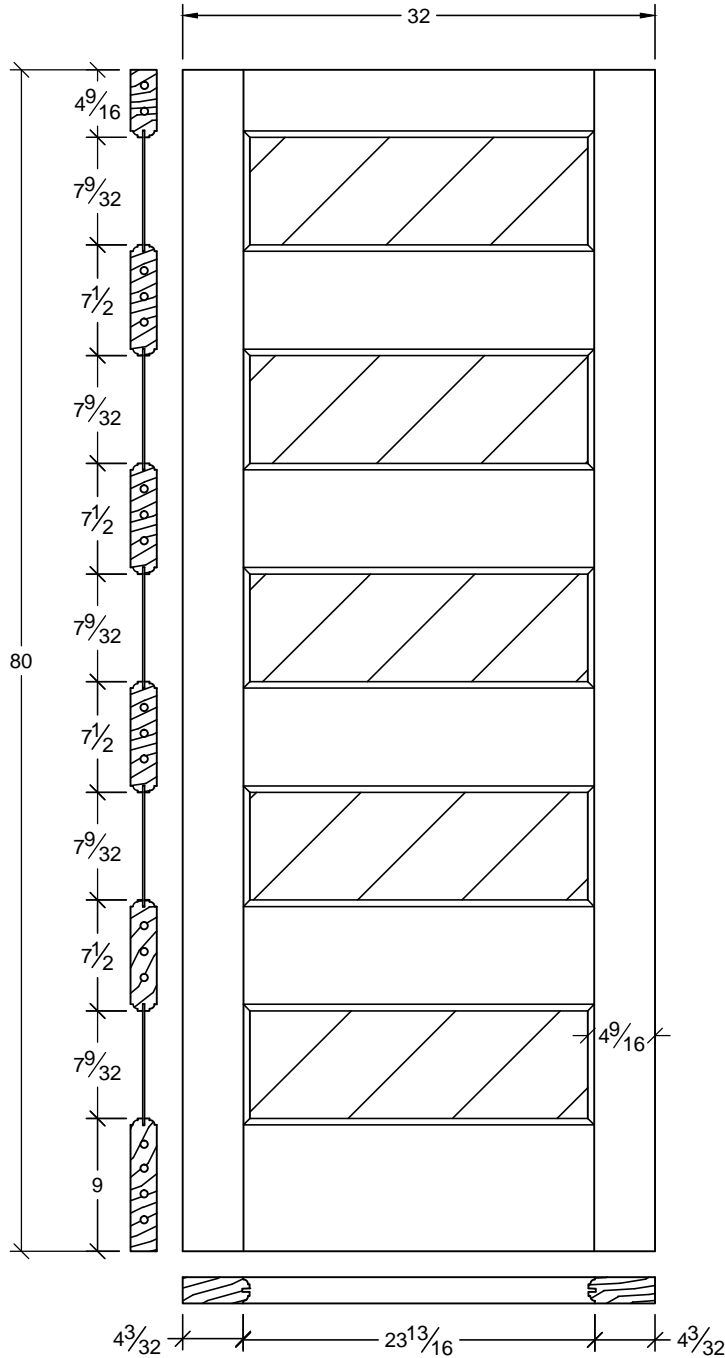


This drawing contains information which is the property of Woodgrain Millwork, Inc. This drawing is received on confidence and contents may not be disclosed without the prior written consent of Woodgrain Millwork, Inc.

605W

Draw #:	Ovolo 605W_34_80
Date:	07 - 30 - 14
Drawn By:	T Doughty


woodgrain doors

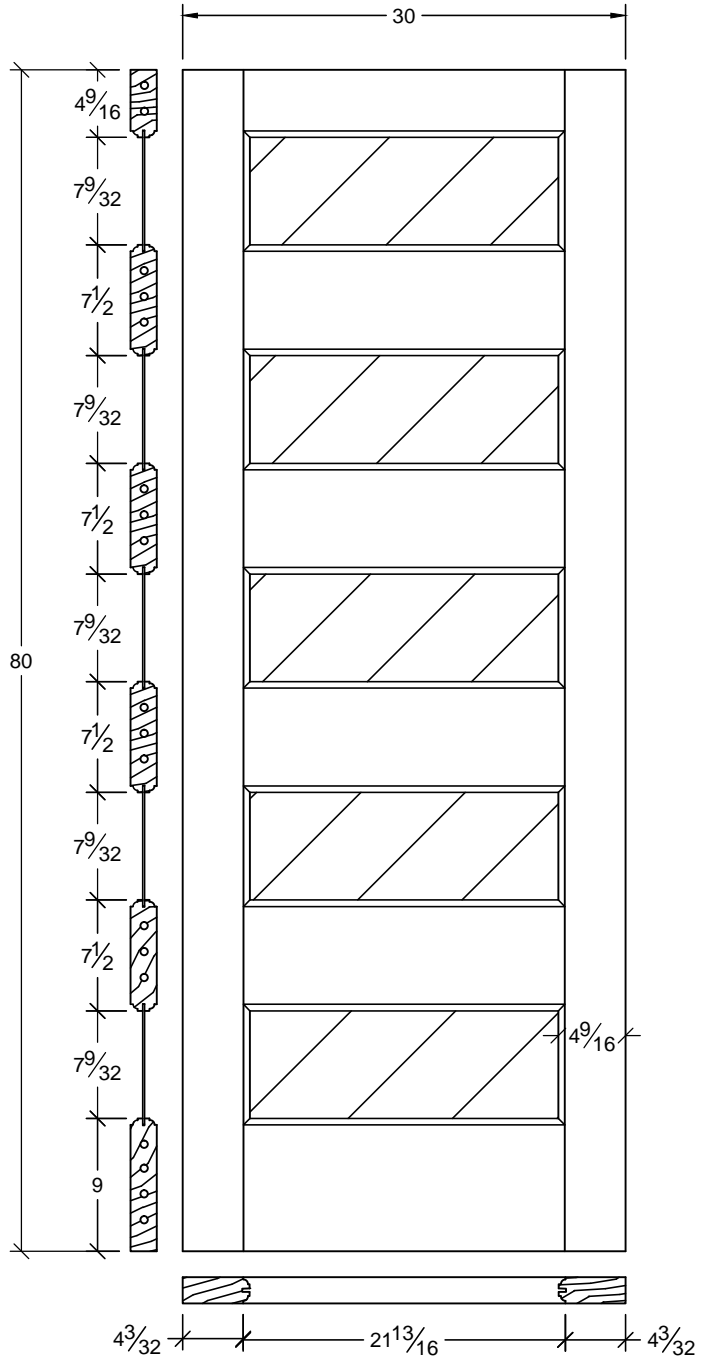


This drawing contains information which is the property of Woodgrain Millwork, Inc. This drawing is received on confidence and contents may not be disclosed without the prior written consent of Woodgrain Millwork, Inc.

605W

Draw #:	Ovolo 605W_32_80
Date:	07 - 30 - 14
Drawn By:	T Doughty


woodgrain doors

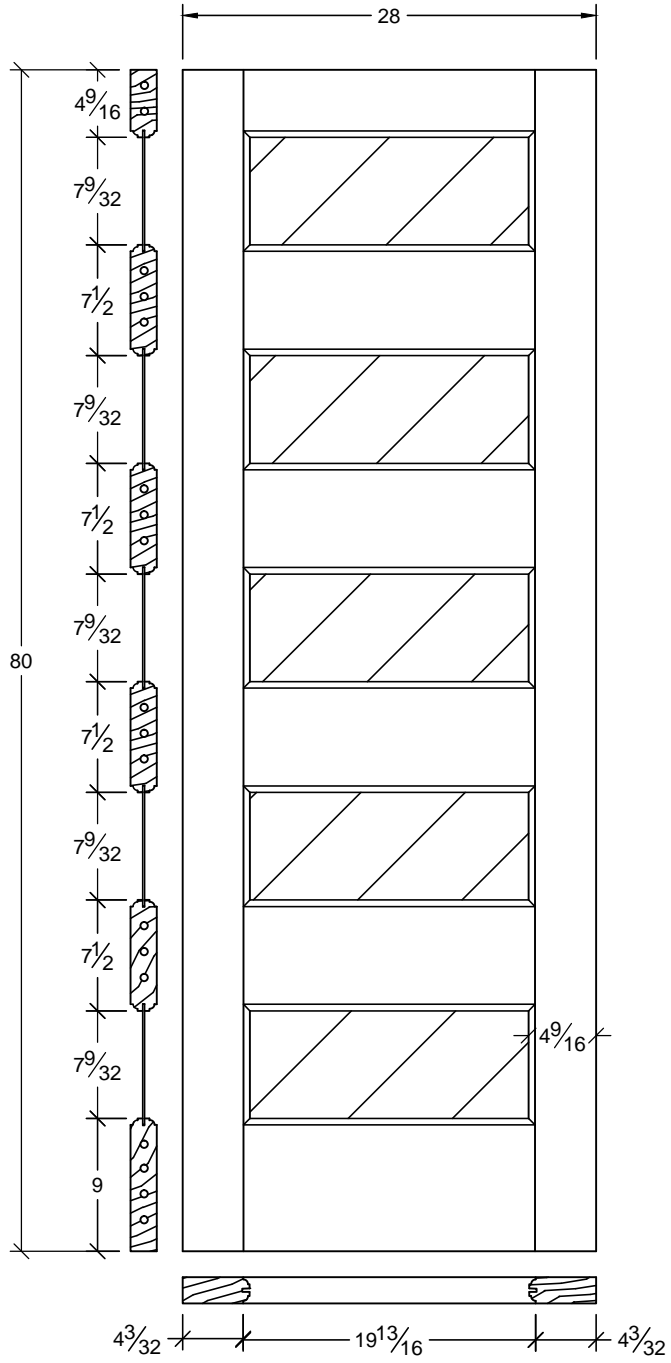


This drawing contains information which is the property of Woodgrain Millwork, Inc. This drawing is received on confidence and contents may not be disclosed without the prior written consent of Woodgrain Millwork, Inc.

605W

Draw #:	Ovolo 605W_30_80
Date:	07 - 30 - 14
Drawn By:	T Doughty



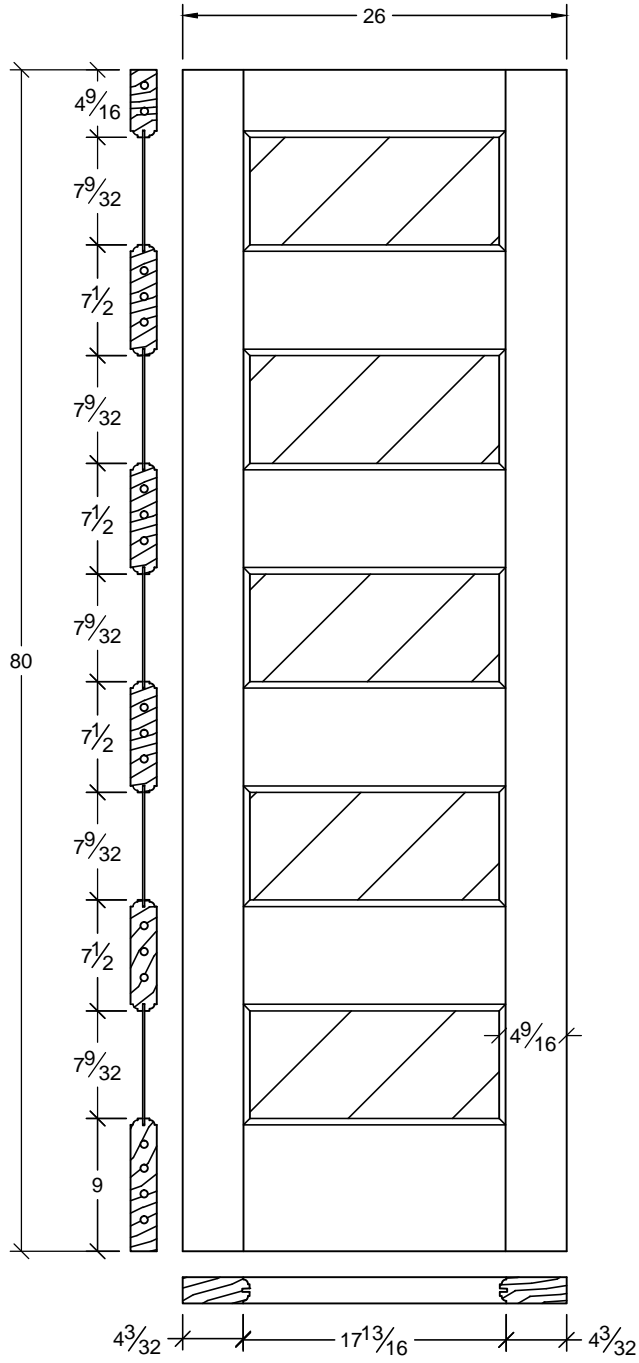


This drawing contains information which is the property of Woodgrain Millwork, Inc. This drawing is received on confidence and contents may not be disclosed without the prior written consent of Woodgrain Millwork, Inc.

605W

Draw #:	Ovolo 605W_28_80
Date:	07 - 30 - 14
Drawn By:	T Doughty

 woodgrain doors

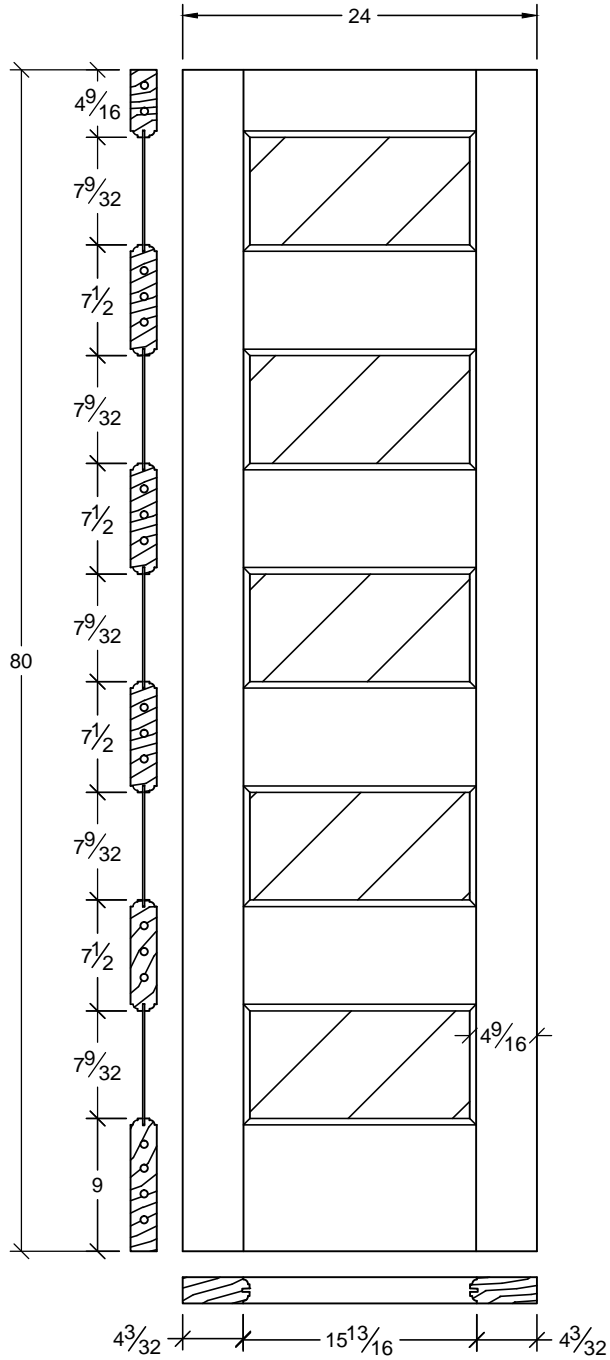


This drawing contains information which is the property of Woodgrain Millwork, Inc. This drawing is received on confidence and contents may not be disclosed without the prior written consent of Woodgrain Millwork, Inc.

605W

Draw #:	Ovolo 605W_26_80
Date:	07 - 30 - 14
Drawn By:	T Doughty


woodgrain doors

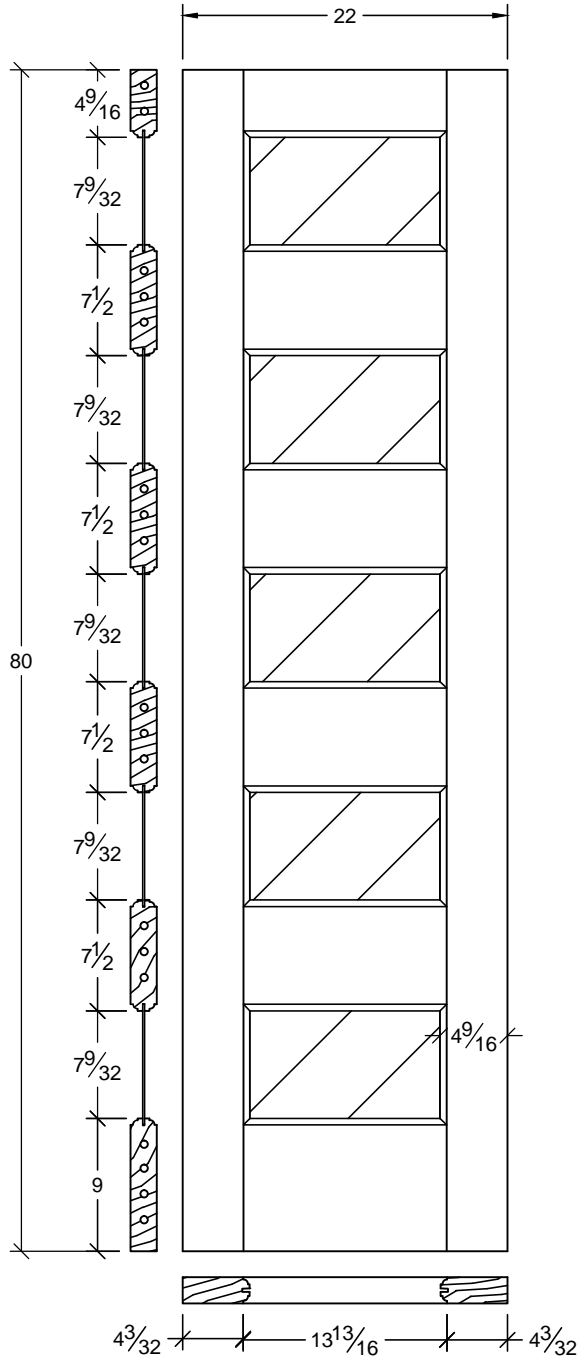


This drawing contains information which is the property of Woodgrain Millwork, Inc. This drawing is received on confidence and contents may not be disclosed without the prior written consent of Woodgrain Millwork, Inc.

605W

Draw #:	Ovolo 605W_24_80
Date:	07 - 30 - 14
Drawn By:	T Doughty


woodgrain doors

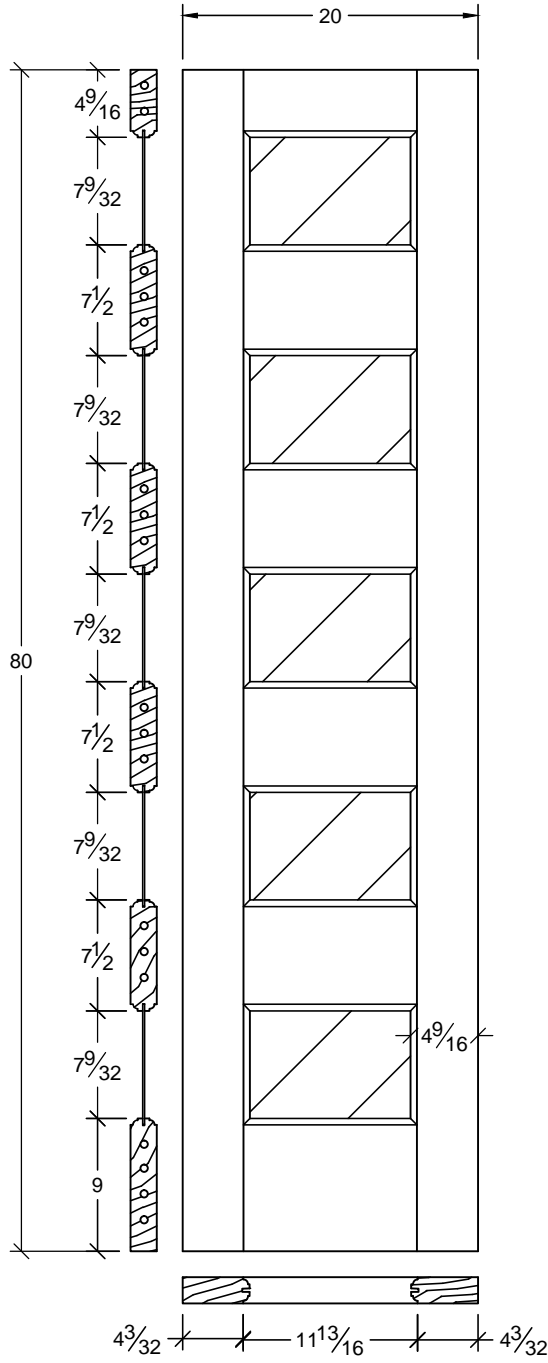


This drawing contains information which is the property of Woodgrain Millwork, Inc. This drawing is received on confidence and contents may not be disclosed without the prior written consent of Woodgrain Millwork, Inc.

605W

Draw #:	Ovolo 605W_22_80
Date:	07 - 30 - 14
Drawn By:	T Doughty


woodgrain doors

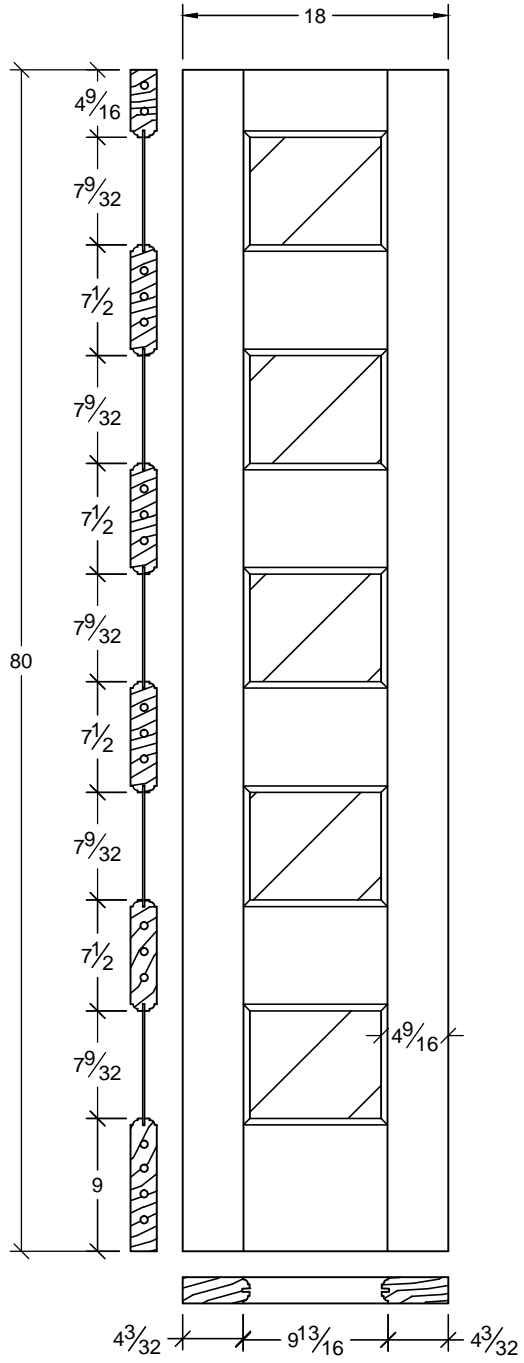


This drawing contains information which is the property of Woodgrain Millwork, Inc. This drawing is received on confidence and contents may not be disclosed without the prior written consent of Woodgrain Millwork, Inc.

605W

Draw #:	Ovolo 605W_20_80
Date:	07 - 30 - 14
Drawn By:	T Doughty


woodgrain doors



This drawing contains information which is the property of Woodgrain Millwork, Inc. This drawing is received on confidence and contents may not be disclosed without the prior written consent of Woodgrain Millwork, Inc.

605W

Draw #:	Ovolo 605W_18_80
Date:	07 - 30 - 14
Drawn By:	T Doughty


woodgrain doors