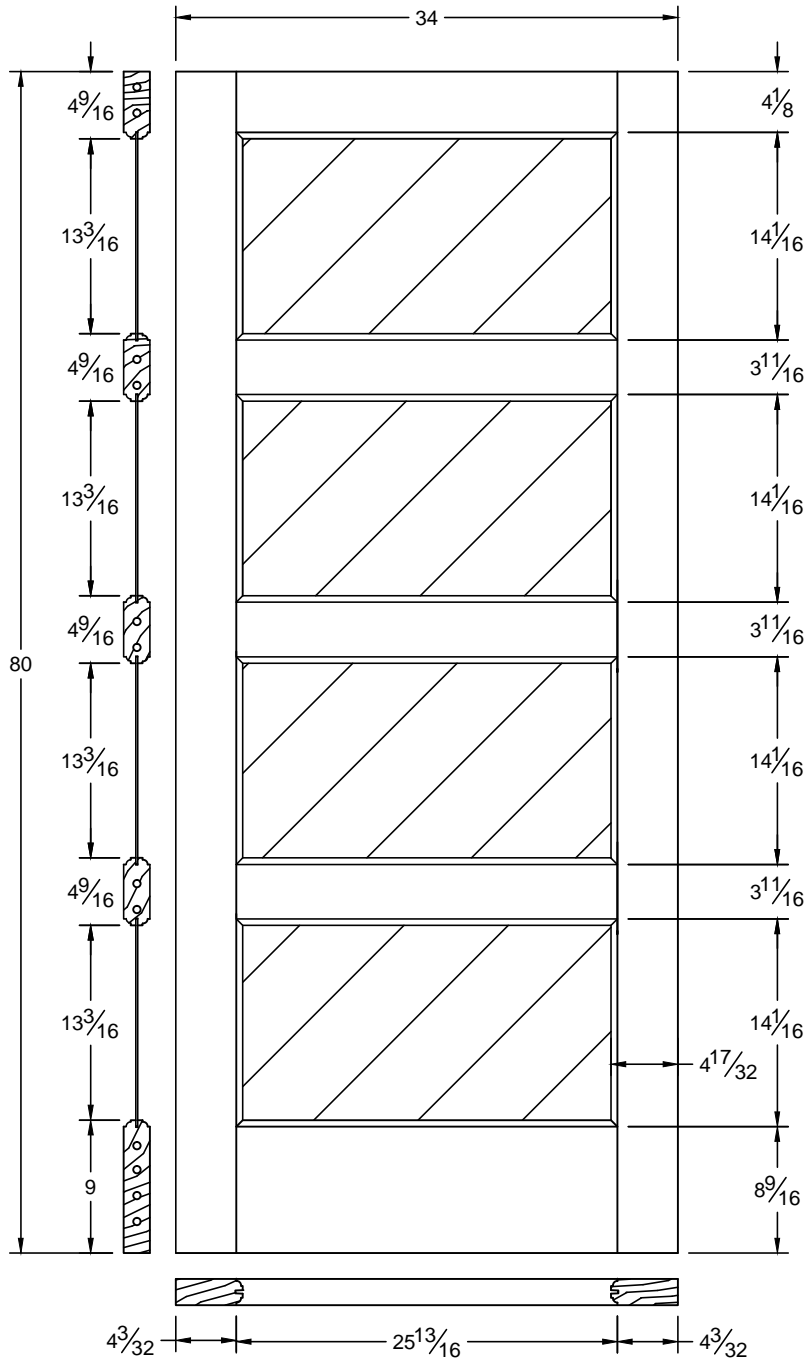


This drawing contains information which is the property of Woodgrain Millwork, Inc. This drawing is received on confidence and contents may not be disclosed without the prior written consent of Woodgrain Millwork, Inc.

604 / 6604

Draw #:	Ovolo 604_36_80
Date:	10 - 01 - 12
Drawn By:	T Doughty

 woodgrain doors

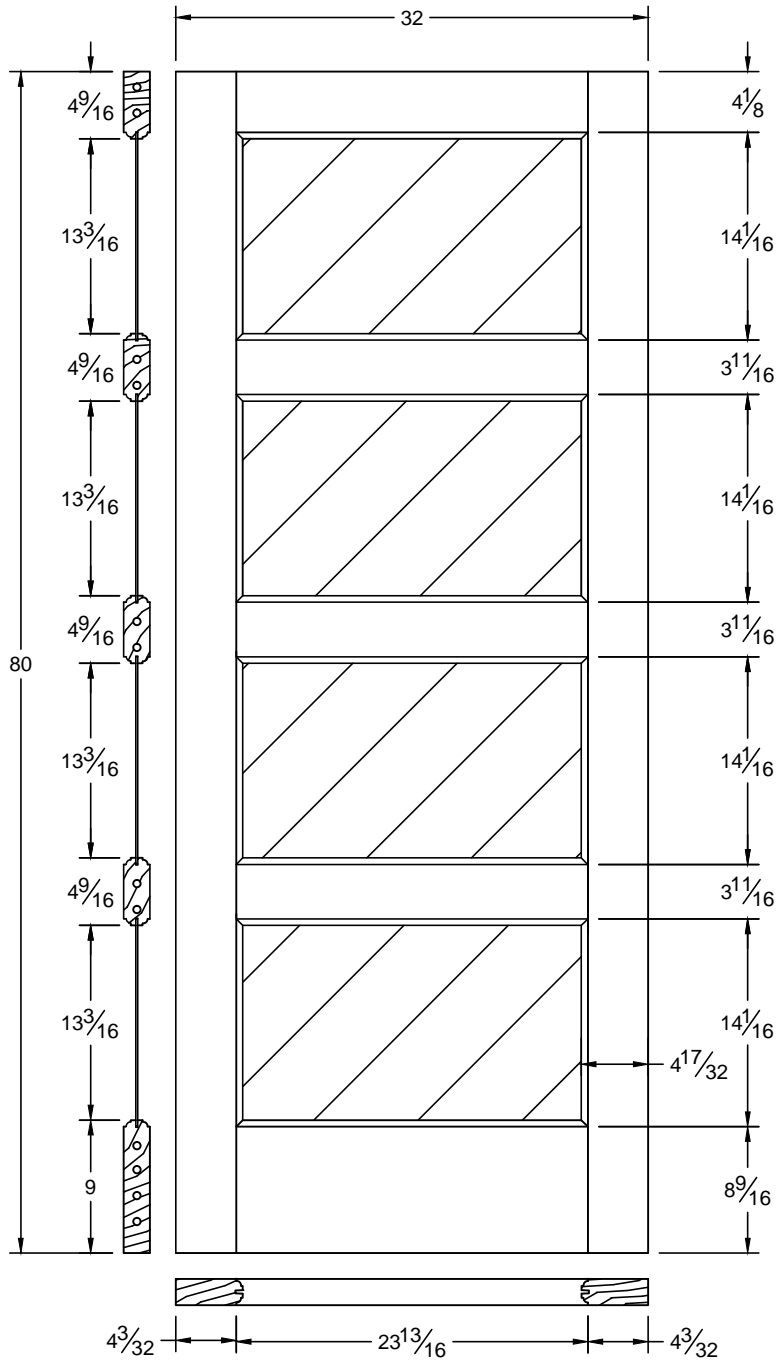


This drawing contains information which is the property of Woodgrain Millwork, Inc. This drawing is received on confidence and contents may not be disclosed without the prior written consent of Woodgrain Millwork, Inc.

604 / 6604

Draw #:	Ovolo 604_34_80
Date:	10 - 01 - 12
Drawn By:	T Doughty

 woodgrain doors

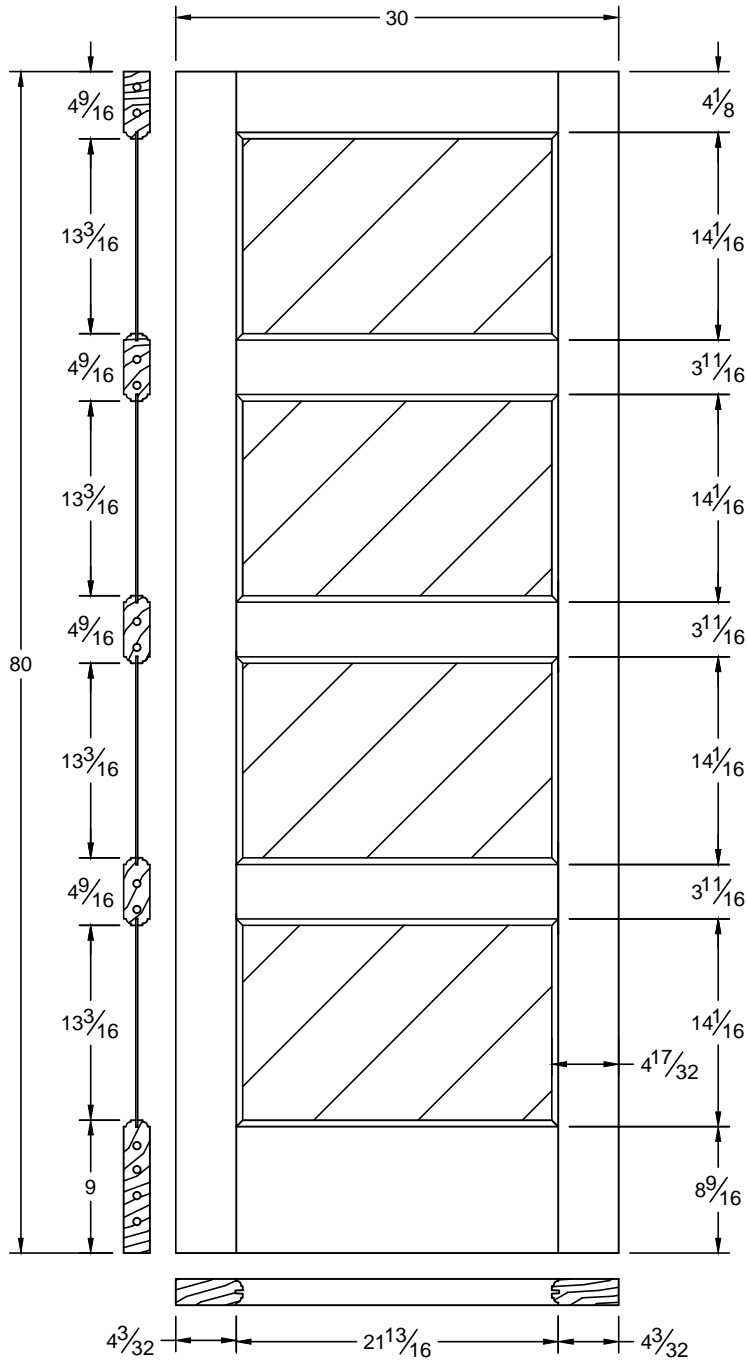


This drawing contains information which is the property of Woodgrain Millwork, Inc. This drawing is received on confidence and contents may not be disclosed without the prior written consent of Woodgrain Millwork, Inc.

604 / 6604

Draw #:	Ovolo 604_32_80
Date:	10 - 01 - 12
Drawn By:	T Doughty



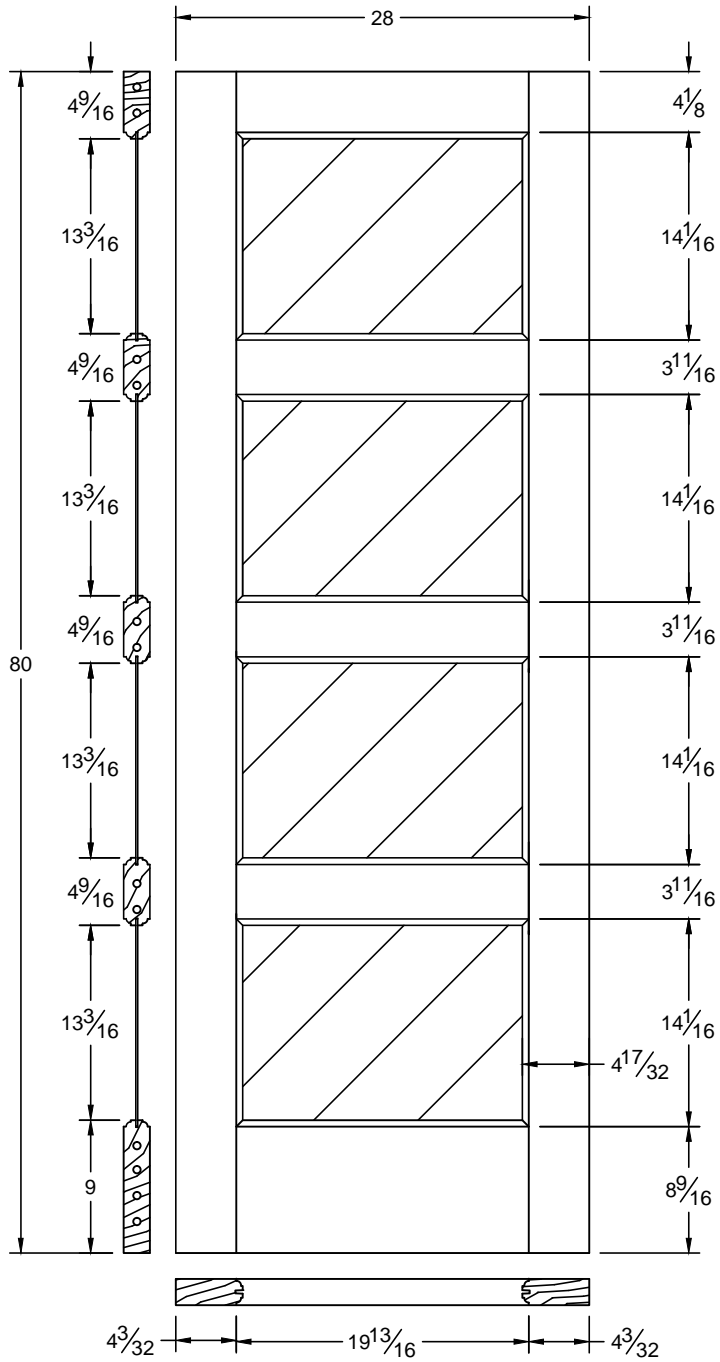


This drawing contains information which is the property of Woodgrain Millwork, Inc. This drawing is received on confidence and contents may not be disclosed without the prior written consent of Woodgrain Millwork, Inc.

604 / 6604

Draw #:	Ovolo 604_30_80
Date:	10 - 01 - 12
Drawn By:	T Doughty



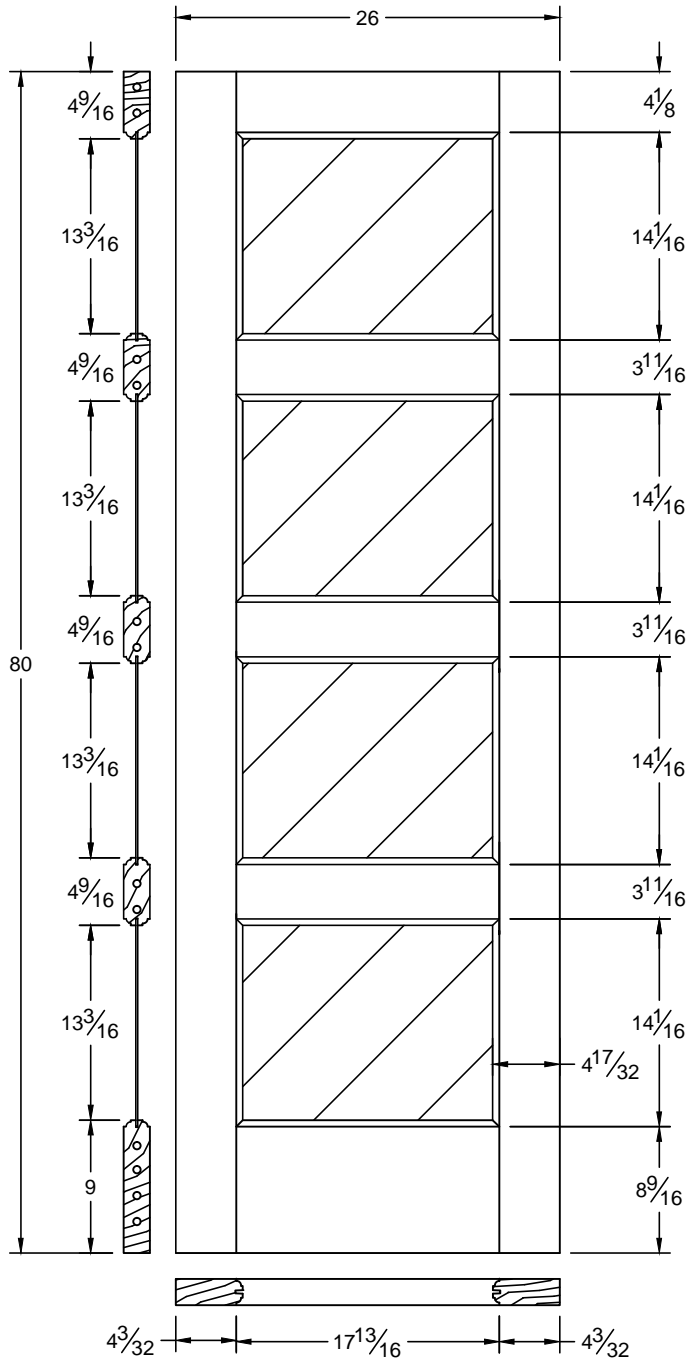


This drawing contains information which is the property of Woodgrain Millwork, Inc. This drawing is received on confidence and contents may not be disclosed without the prior written consent of Woodgrain Millwork, Inc.

604 / 6604

Draw #:	Ovolo 604_28_80
Date:	10 - 01 - 12
Drawn By:	T Doughty



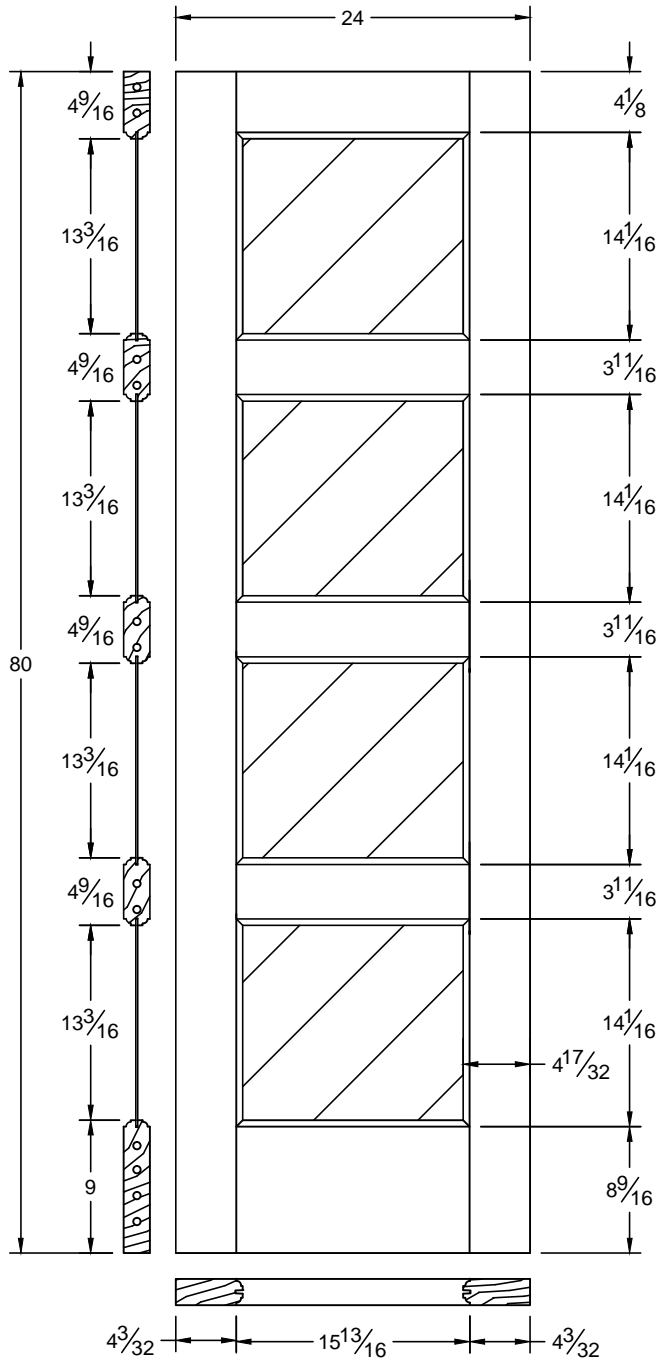


This drawing contains information which is the property of Woodgrain Millwork, Inc. This drawing is received on confidence and contents may not be disclosed without the prior written consent of Woodgrain Millwork, Inc.

604 / 6604

Draw #:	Ovolo 604_26_80
Date:	10 - 01 - 12
Drawn By:	T Doughty



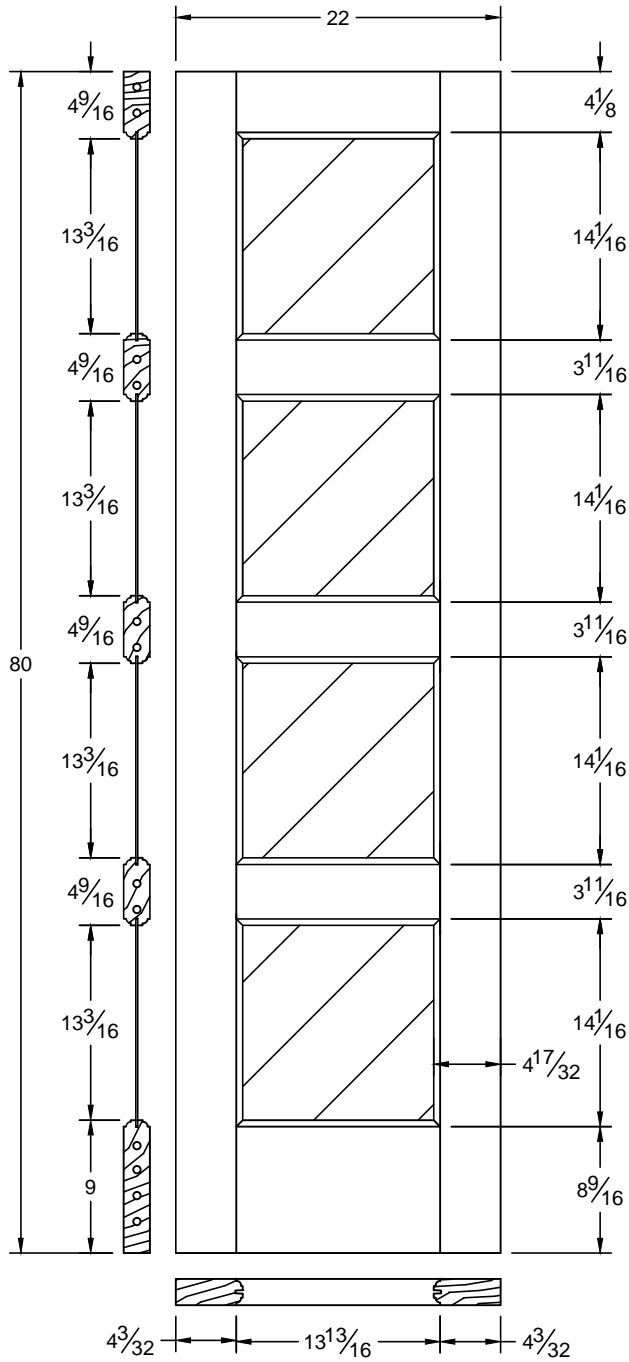


This drawing contains information which is the property of Woodgrain Millwork, Inc. This drawing is received on confidence and contents may not be disclosed without the prior written consent of Woodgrain Millwork, Inc.

604 / 6604

Draw #:	Ovolo 604_24_80
Date:	10 - 01 - 12
Drawn By:	T Doughty



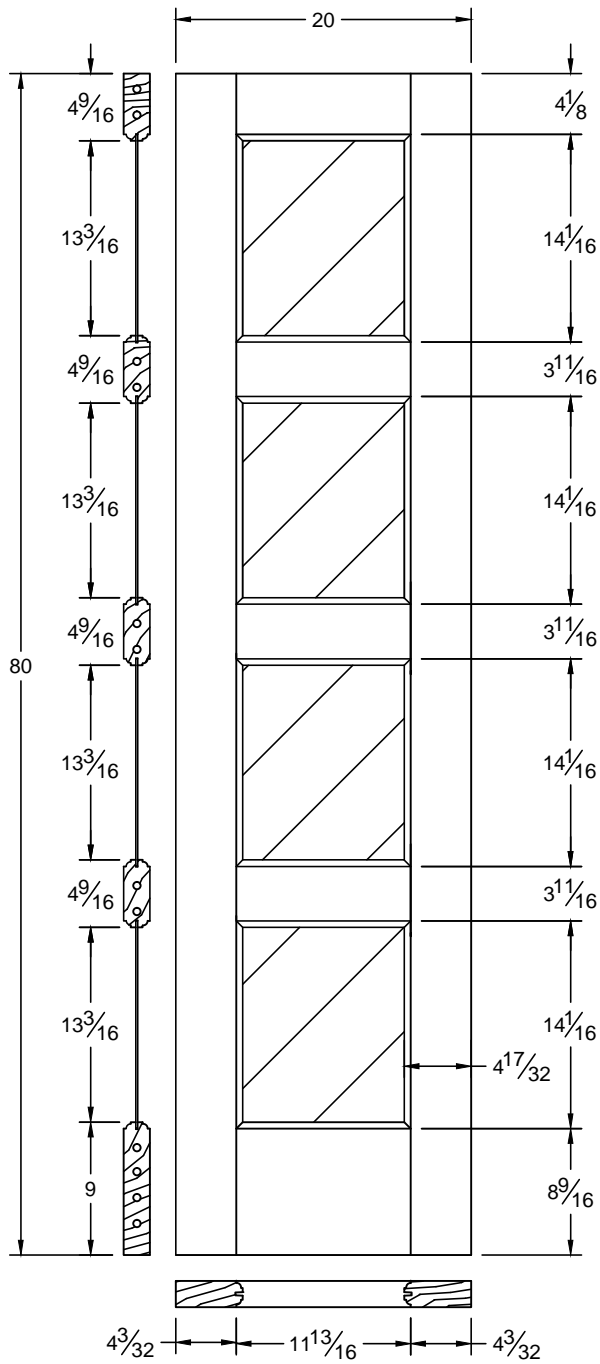


This drawing contains information which is the property of Woodgrain Millwork, Inc. This drawing is received on confidence and contents may not be disclosed without the prior written consent of Woodgrain Millwork, Inc.

604 / 6604

Draw #:	Ovolo 604_22_80
Date:	10 - 01 - 12
Drawn By:	T Doughty


woodgrain doors

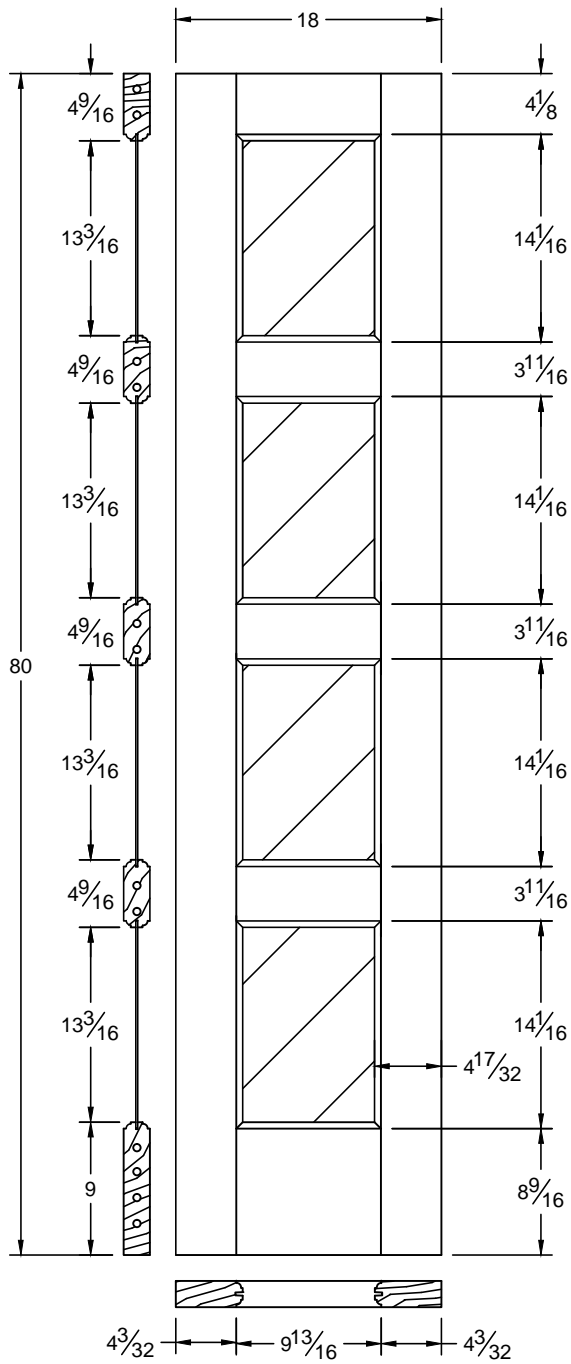


This drawing contains information which is the property of Woodgrain Millwork, Inc. This drawing is received on confidence and contents may not be disclosed without the prior written consent of Woodgrain Millwork, Inc.

604 / 6604

Draw #:	Ovolo 604_20_80
Date:	10 - 01 - 12
Drawn By:	T Doughty

 woodgrain doors



This drawing contains information which is the property of Woodgrain Millwork, Inc. This drawing is received on confidence and contents may not be disclosed without the prior written consent of Woodgrain Millwork, Inc.

604 / 6604

Draw #:	Ovolo 604_18_80
Date:	10 - 01 - 12
Drawn By:	T Doughty

 woodgrain doors