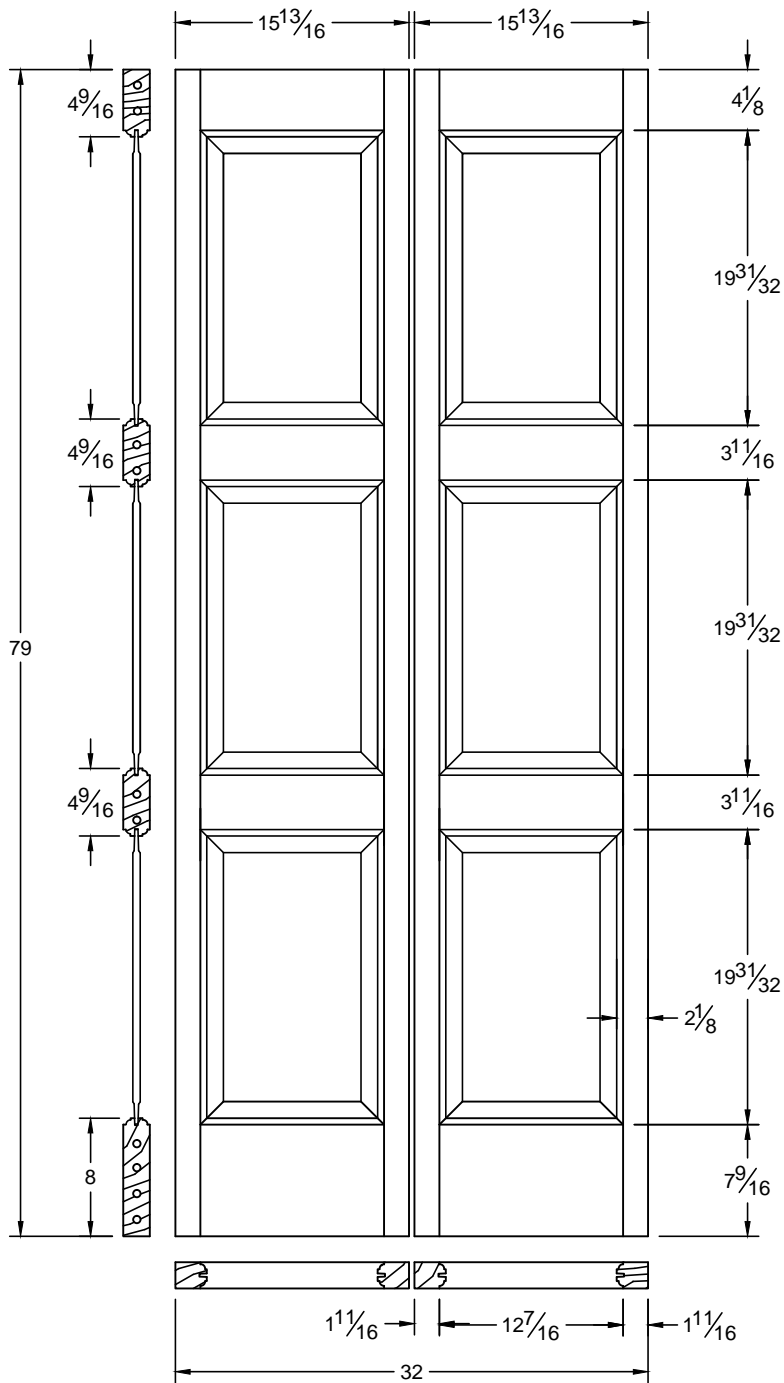


This drawing contains information which is the property of Woodgrain Millwork, Inc. This drawing is received on confidence and contents may not be disclosed without the prior written consent of Woodgrain Millwork, Inc.

103 BF

Draw #:	Ovolo 103_36_79-BF
Date:	03 - 09 - 13
Drawn By:	T Doughty

 woodgrain doors

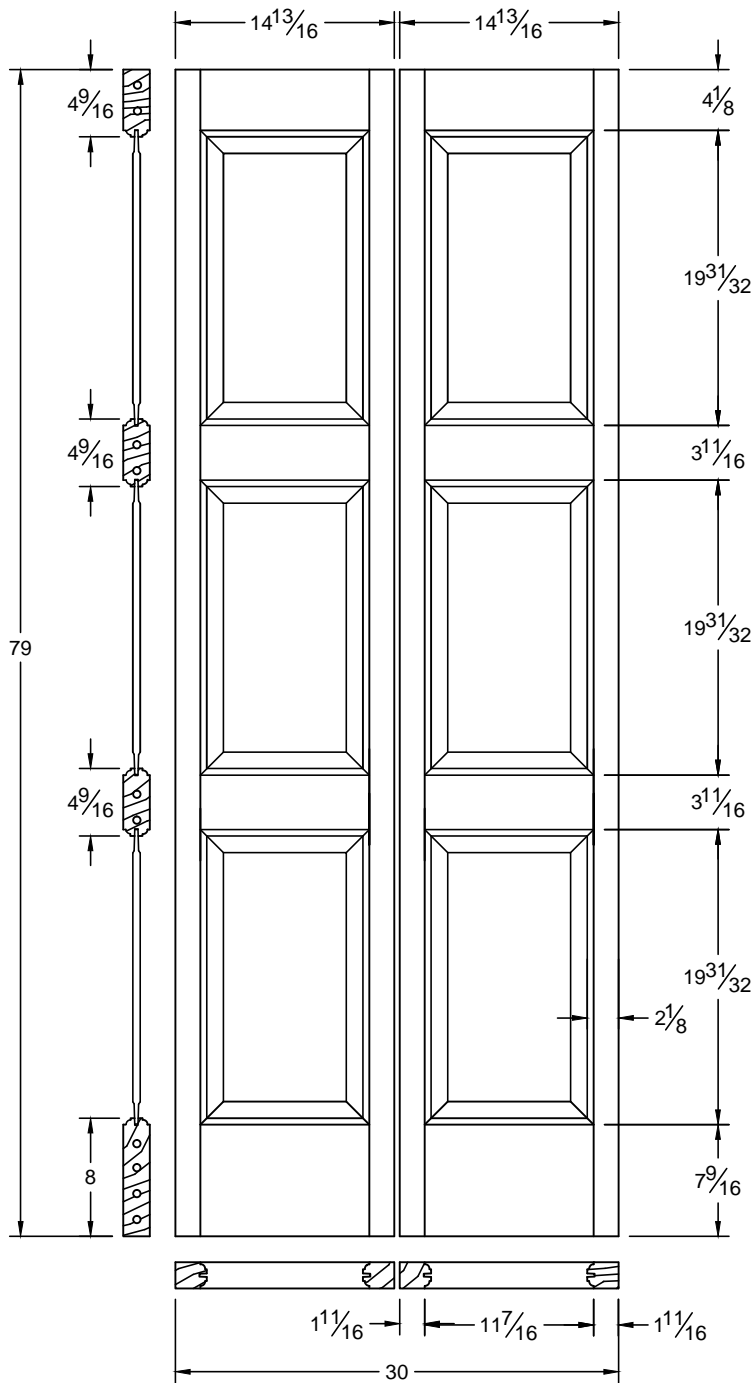


This drawing contains information which is the property of Woodgrain Millwork, Inc. This drawing is received on confidence and contents may not be disclosed without the prior written consent of Woodgrain Millwork, Inc.

103 BF

Draw #:	Ovolo 103_32_79-BF
Date:	03 - 09 - 13
Drawn By:	T Doughty

 woodgrain doors

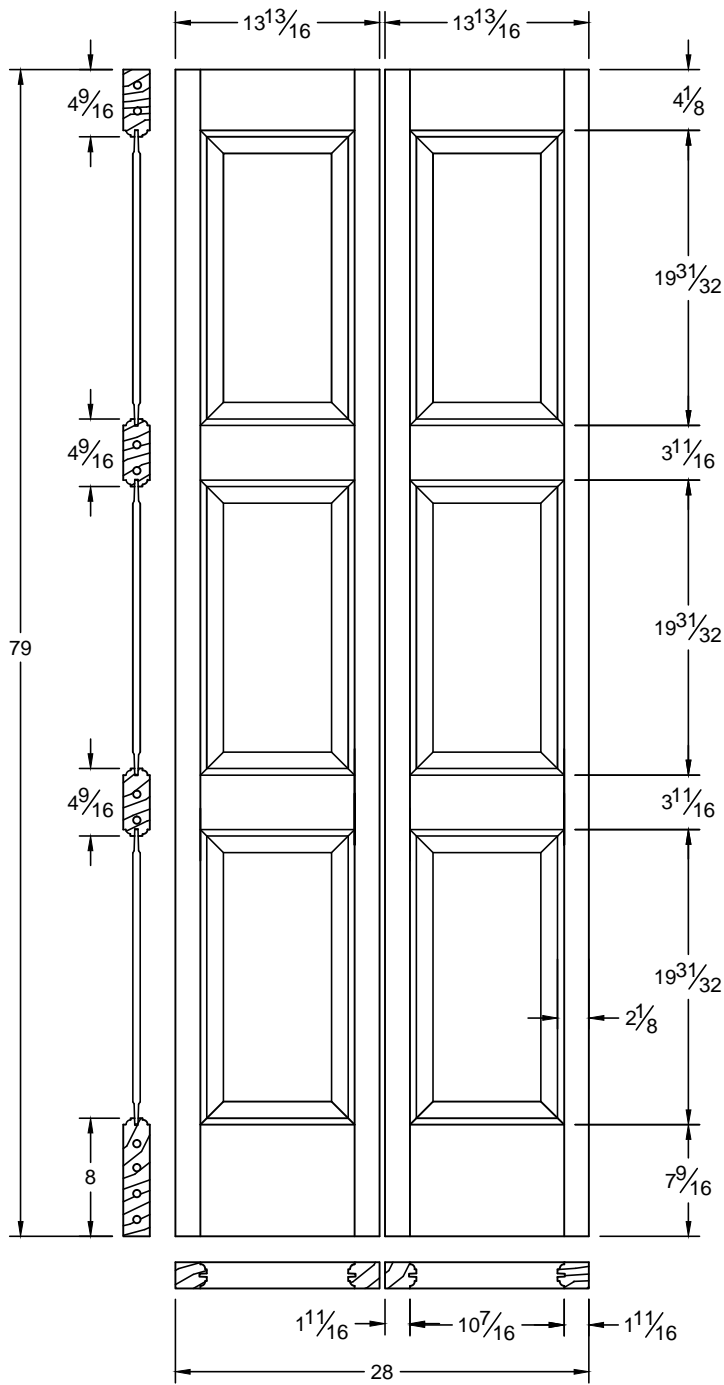


This drawing contains information which is the property of Woodgrain Millwork, Inc. This drawing is received on confidence and contents may not be disclosed without the prior written consent of Woodgrain Millwork, Inc.

103 BF

Draw #:	Ovolo 103_30_79-BF
Date:	03 - 09 - 13
Drawn By:	T Doughty

 woodgrain doors



This drawing contains information which is the property of Woodgrain Millwork, Inc. This drawing is received on confidence and contents may not be disclosed without the prior written consent of Woodgrain Millwork, Inc.

103 BF

Draw #:	Ovolo 103_28_79-BF
Date:	03 - 09 - 13
Drawn By:	T Doughty

 woodgrain doors

