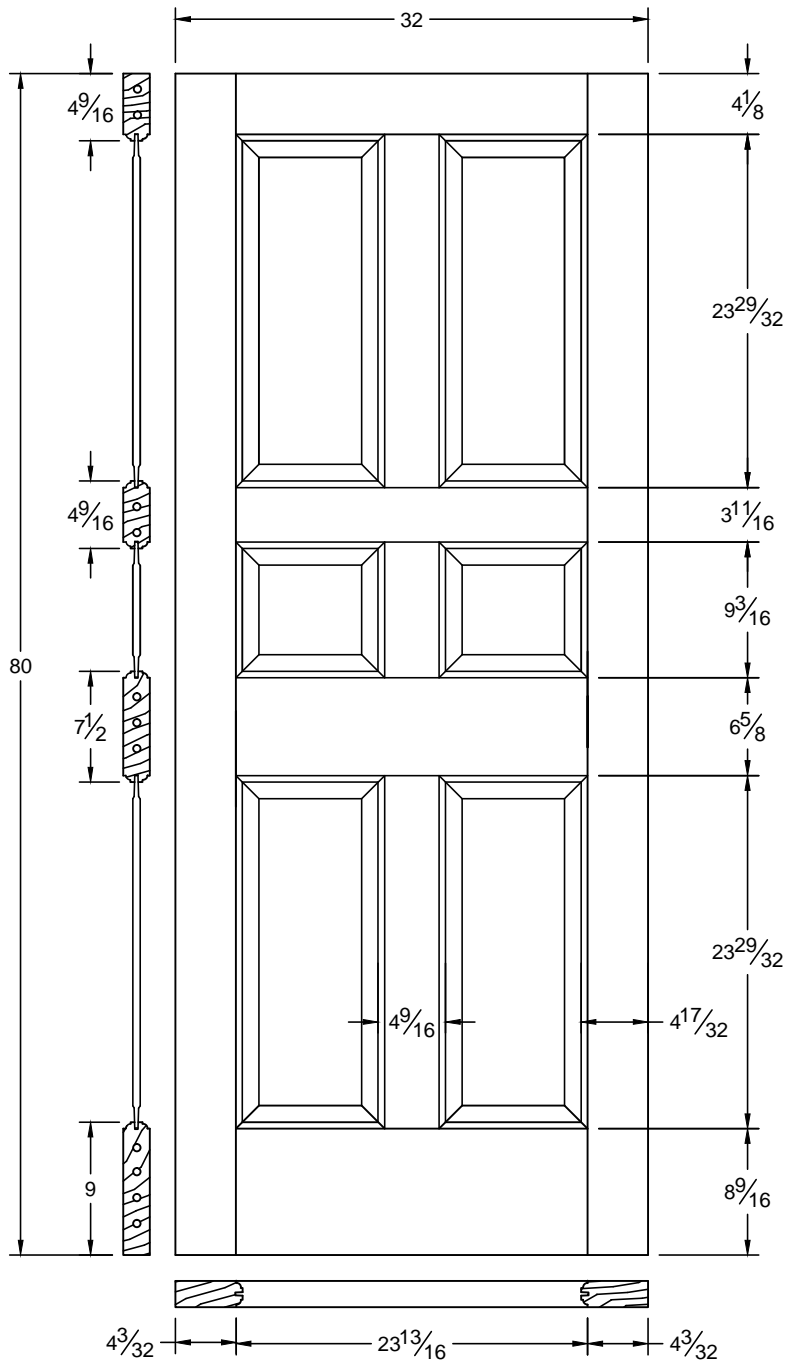


This drawing contains information which is the property of Woodgrain Millwork, Inc. This drawing is received on confidence and contents may not be disclosed without the prior written consent of Woodgrain Millwork, Inc.

100

Draw #:	Ovolo 100_36_80
Date:	08 - 17 - 12
Drawn By:	T Doughty

woodgrain doors

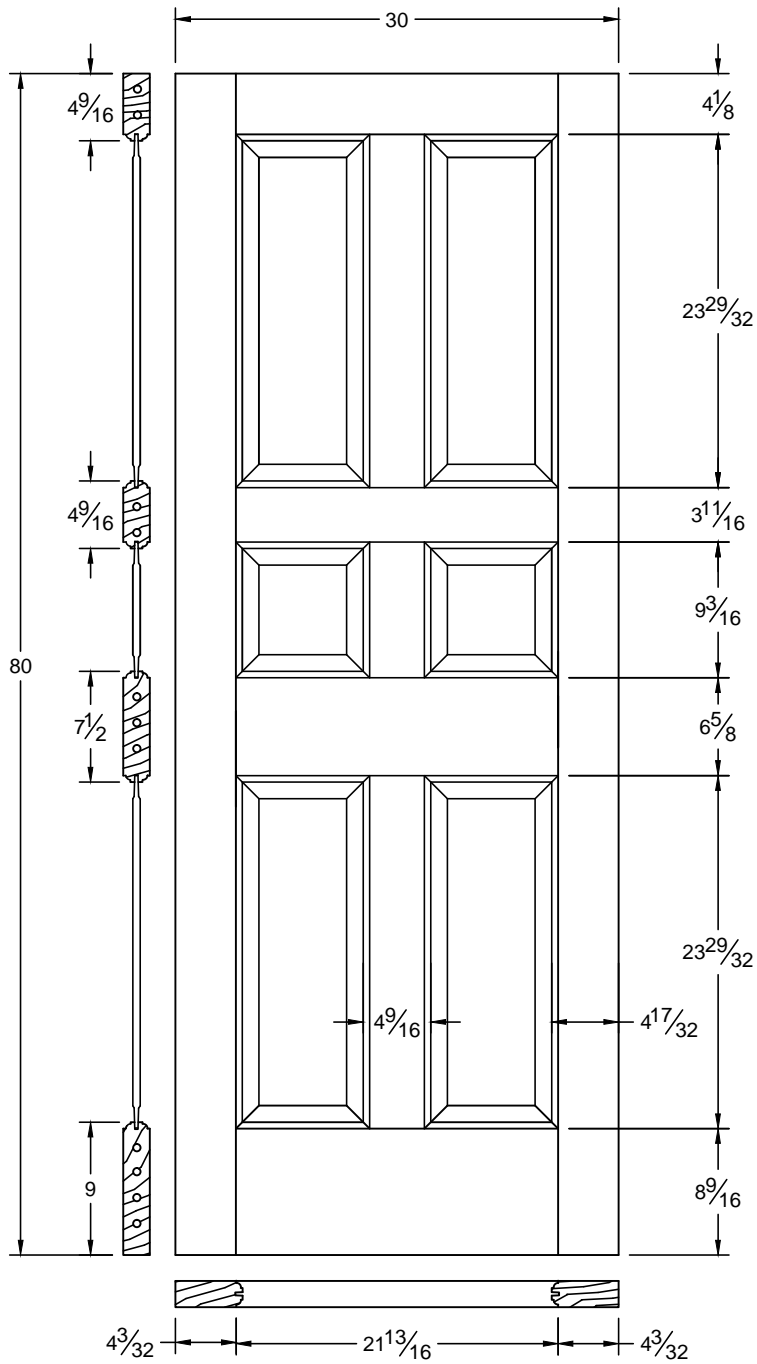


This drawing contains information which is the property of Woodgrain Millwork, Inc. This drawing is received on confidence and contents may not be disclosed without the prior written consent of Woodgrain Millwork, Inc.

100

Draw #:	Ovolo 100_32_80
Date:	08 - 17 - 12
Drawn By:	T Doughty

 woodgrain doors

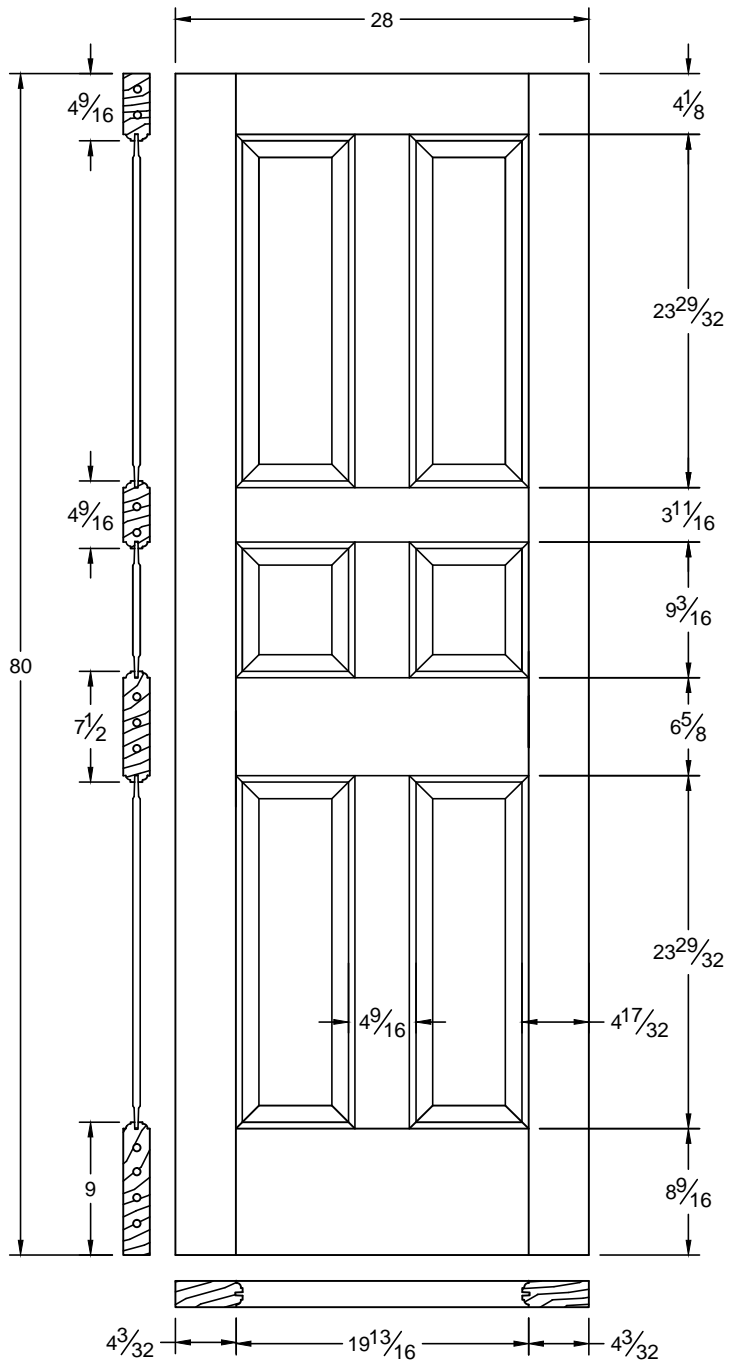


This drawing contains information which is the property of Woodgrain Millwork, Inc. This drawing is received on confidence and contents may not be disclosed without the prior written consent of Woodgrain Millwork, Inc.

100

Draw #:	Ovolo 100_30_80
Date:	08 - 17 - 12
Drawn By:	T Doughty

  
woodgrain doors

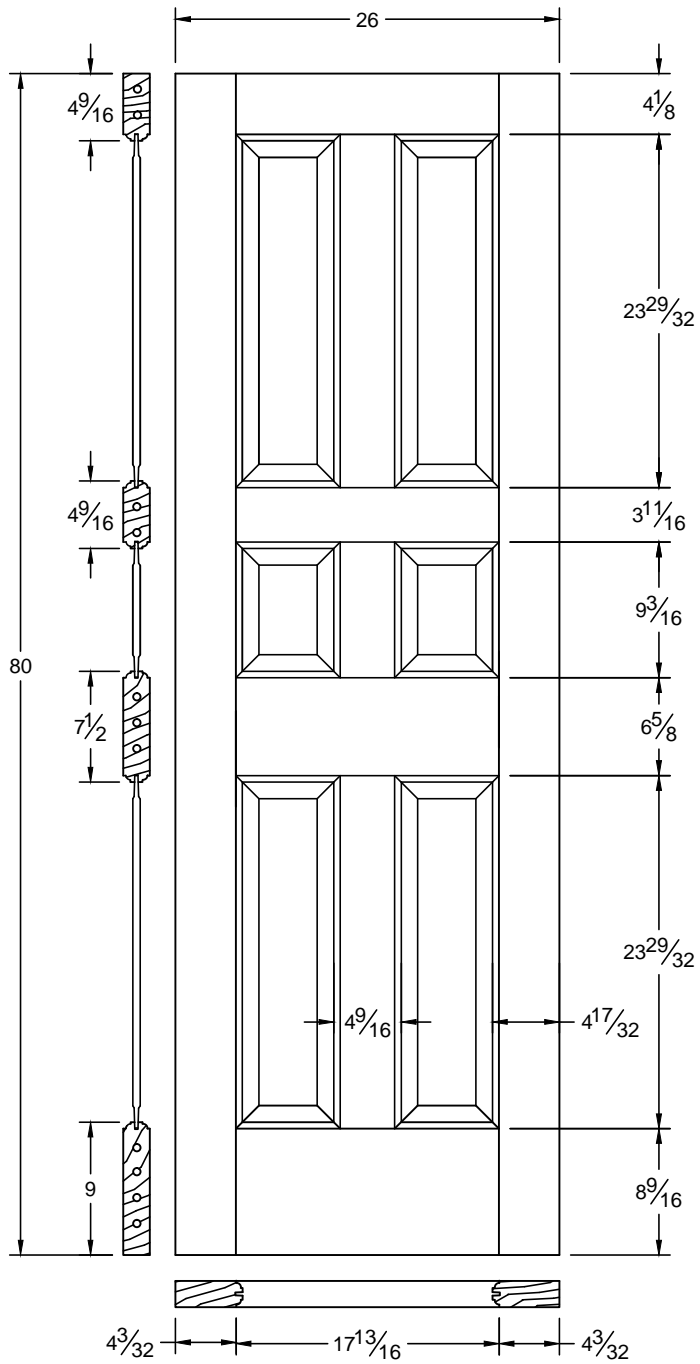


This drawing contains information which is the property of Woodgrain Millwork, Inc. This drawing is received on confidence and contents may not be disclosed without the prior written consent of Woodgrain Millwork, Inc.

100

Draw #:	Ovolo 100_28_80
Date:	08 - 17 - 12
Drawn By:	T Doughty

 woodgrain doors

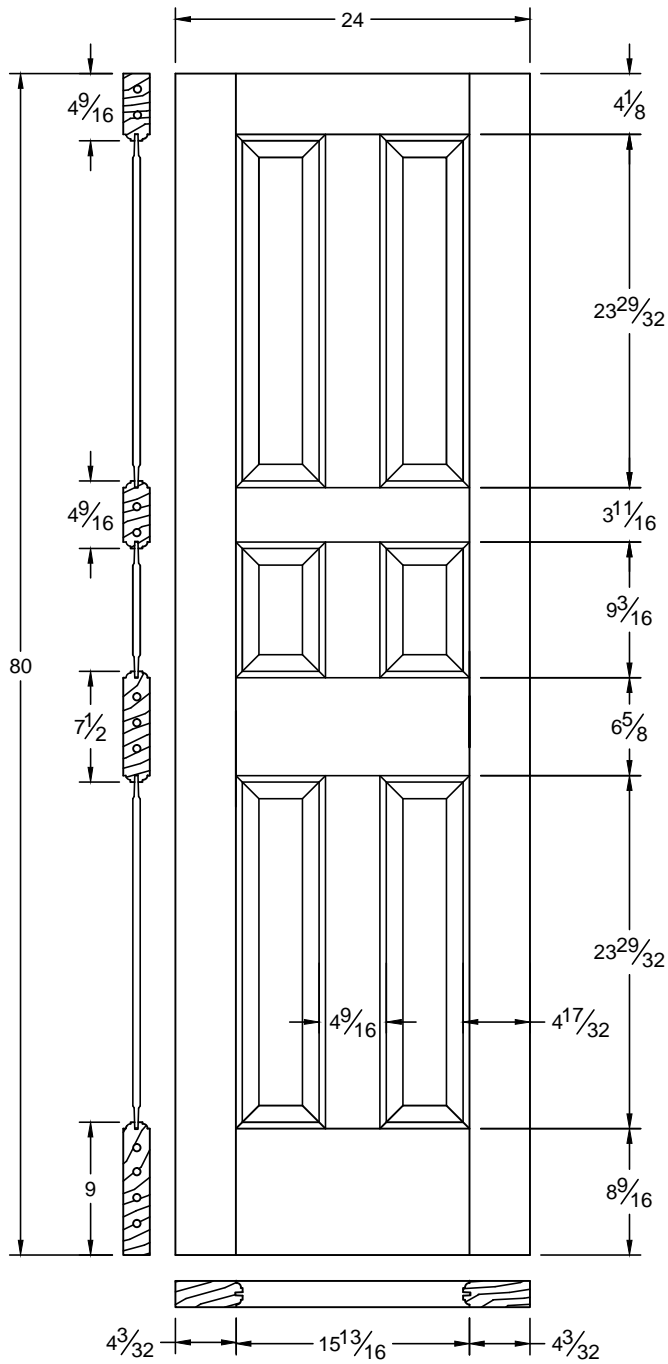


This drawing contains information which is the property of Woodgrain Millwork, Inc. This drawing is received on confidence and contents may not be disclosed without the prior written consent of Woodgrain Millwork, Inc.

100

Draw #:	Ovolo 100_26_80
Date:	08 - 17 - 12
Drawn By:	T Doughty

 woodgrain doors

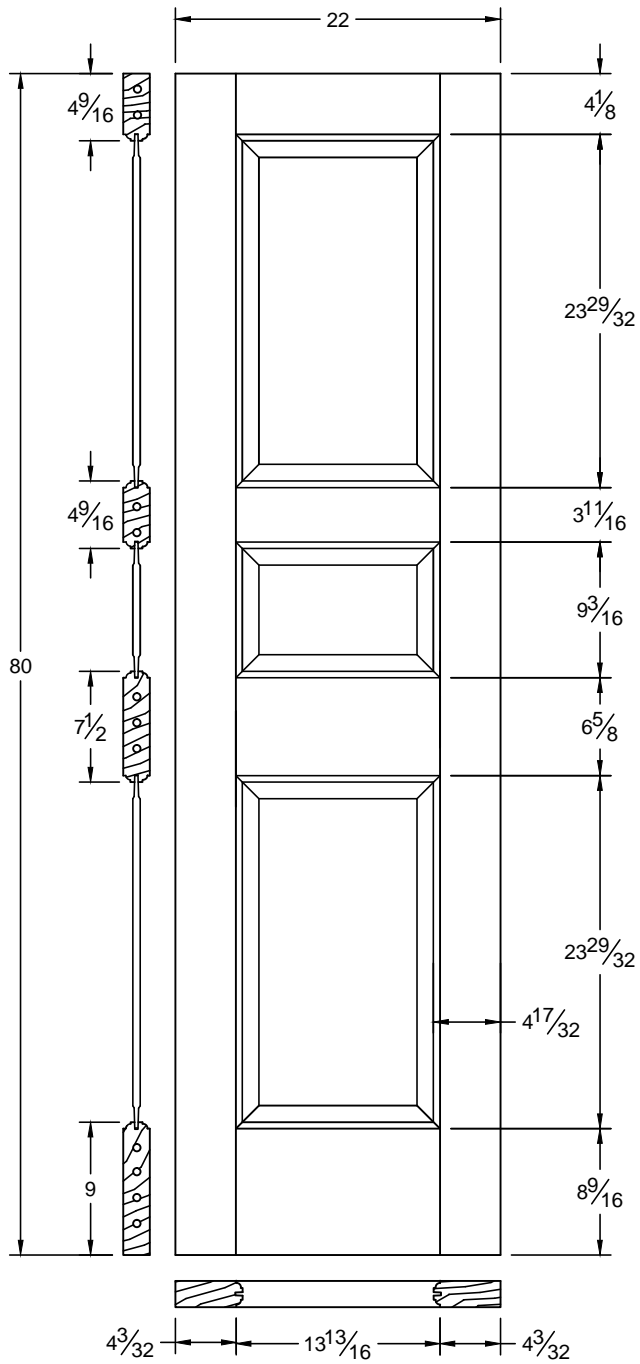


This drawing contains information which is the property of Woodgrain Millwork, Inc. This drawing is received on confidence and contents may not be disclosed without the prior written consent of Woodgrain Millwork, Inc.

100

Draw #:	Ovolo 100_24_80
Date:	08 - 17 - 12
Drawn By:	T Doughty

 woodgrain doors

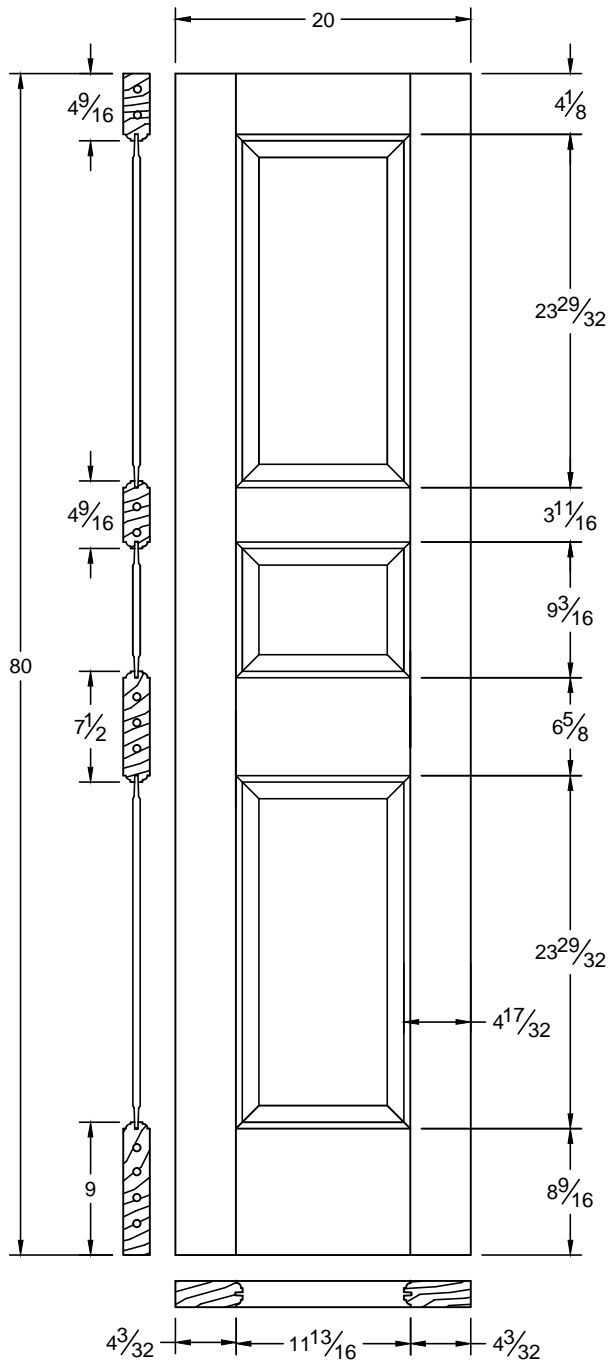


This drawing contains information which is the property of Woodgrain Millwork, Inc. This drawing is received on confidence and contents may not be disclosed without the prior written consent of Woodgrain Millwork, Inc.

100

Draw #:	Ovolo 100_22_80
Date:	08 - 17 - 12
Drawn By:	T Doughty

 woodgrain doors



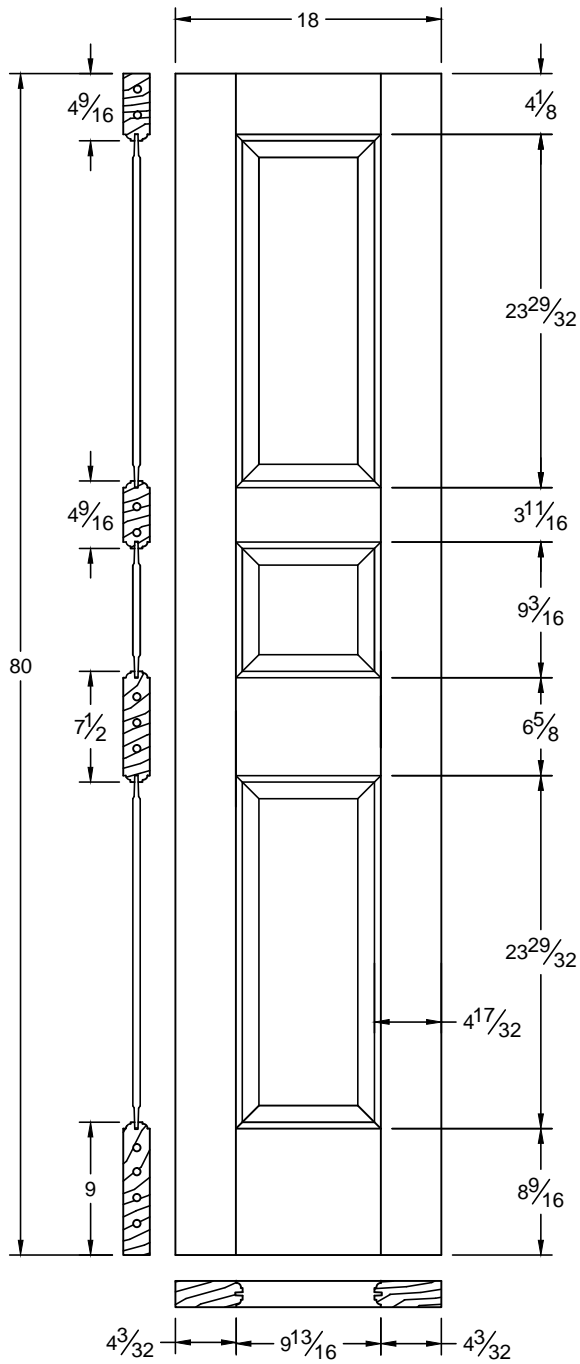
This drawing contains information which is the property of Woodgrain Millwork, Inc. This drawing is received on confidence and contents may not be disclosed without the prior written consent of Woodgrain Millwork, Inc.

100

Draw #:	Ovolo 100_20_80
Date:	08 - 17 - 12
Drawn By:	T Doughty

  
woodgrain doors



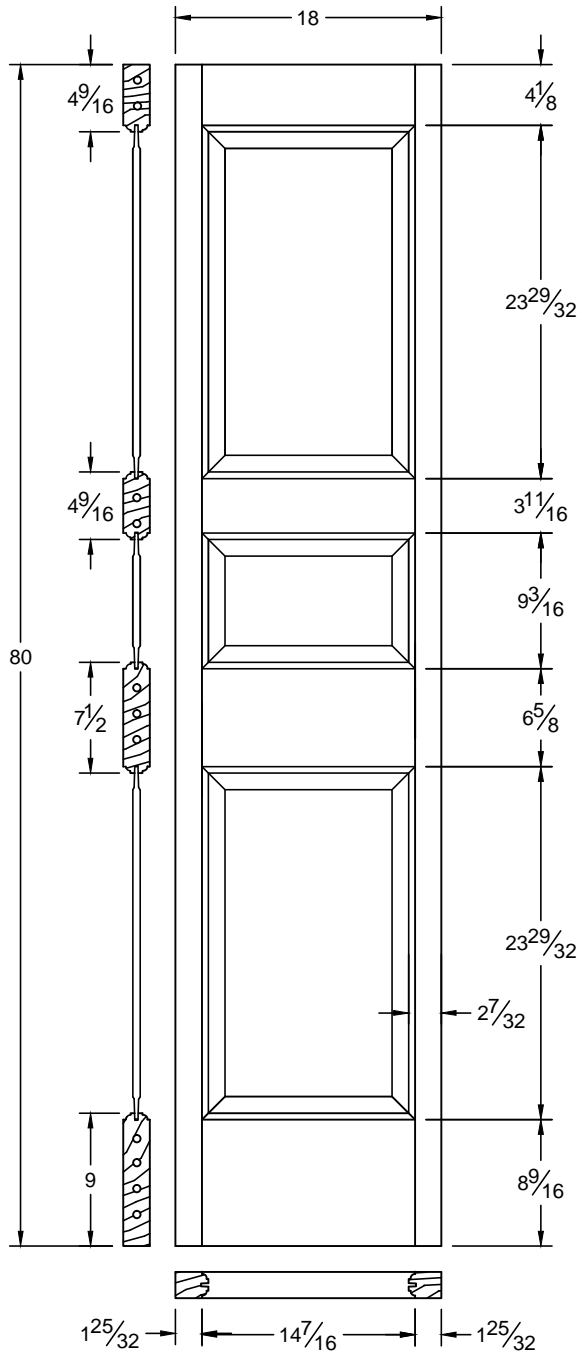


This drawing contains information which is the property of Woodgrain Millwork, Inc. This drawing is received on confidence and contents may not be disclosed without the prior written consent of Woodgrain Millwork, Inc.

100

Draw #:	Ovolo 100_18_80
Date:	08 - 17 - 12
Drawn By:	T Doughty

  
woodgrain doors

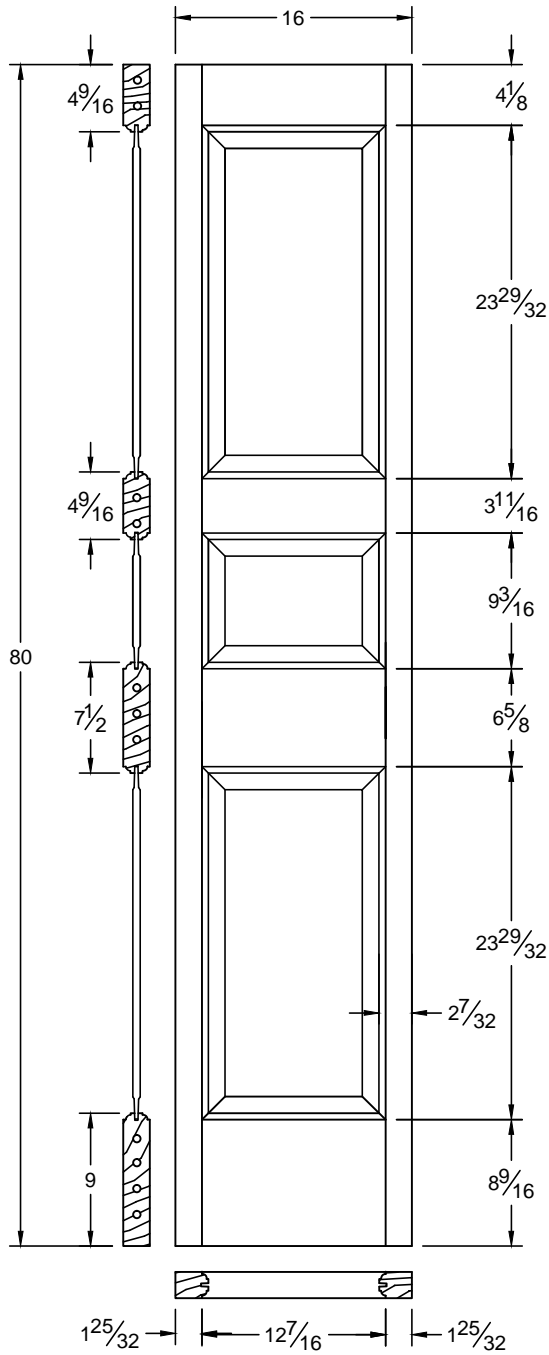


This drawing contains information which is the property of Woodgrain Millwork, Inc. This drawing is received on confidence and contents may not be disclosed without the prior written consent of Woodgrain Millwork, Inc.

100

Draw #:	Ovolo 100_18_80
Date:	08 - 17 - 12
Drawn By:	T Doughty

  
woodgrain doors

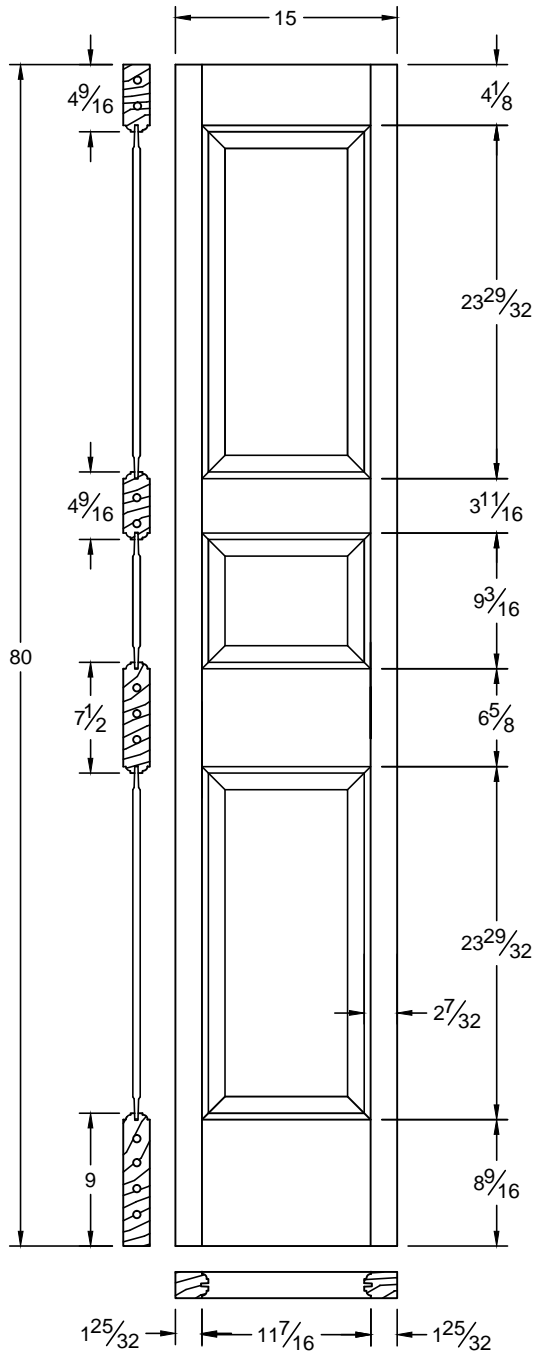


This drawing contains information which is the property of Woodgrain Millwork, Inc. This drawing is received on confidence and contents may not be disclosed without the prior written consent of Woodgrain Millwork, Inc.

100

Draw #:	Ovolo 100_16_80
Date:	08 - 17 - 12
Drawn By:	T Doughty

  
woodgrain doors

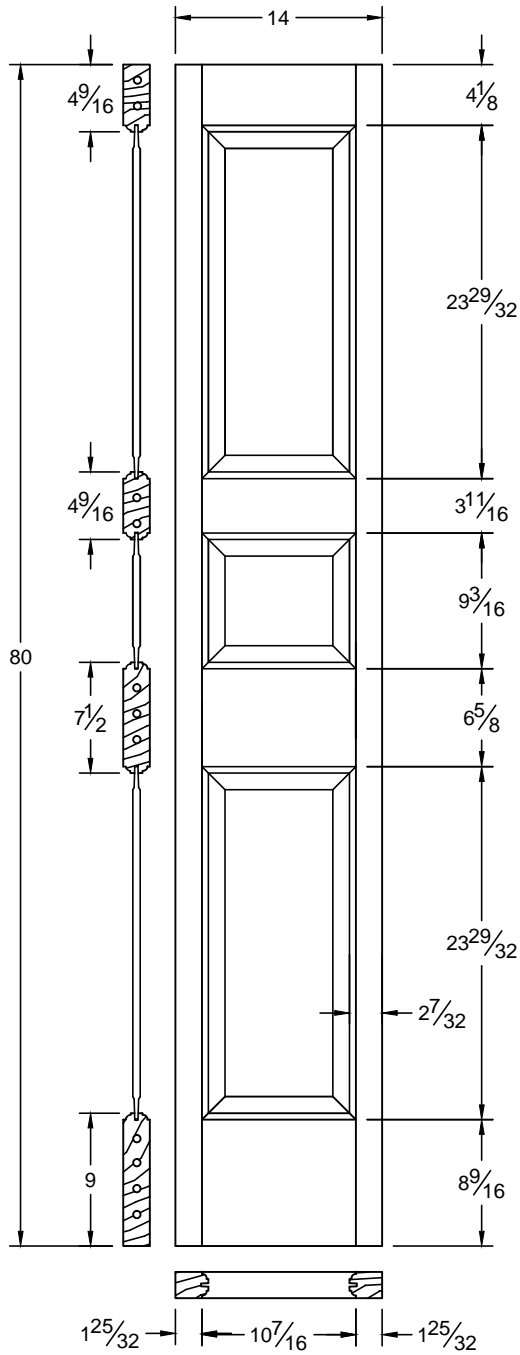


This drawing contains information which is the property of Woodgrain Millwork, Inc. This drawing is received on confidence and contents may not be disclosed without the prior written consent of Woodgrain Millwork, Inc.

100

Draw #:	Ovolo 100_15_80
Date:	08 - 17 - 12
Drawn By:	T Doughty

  
woodgrain doors

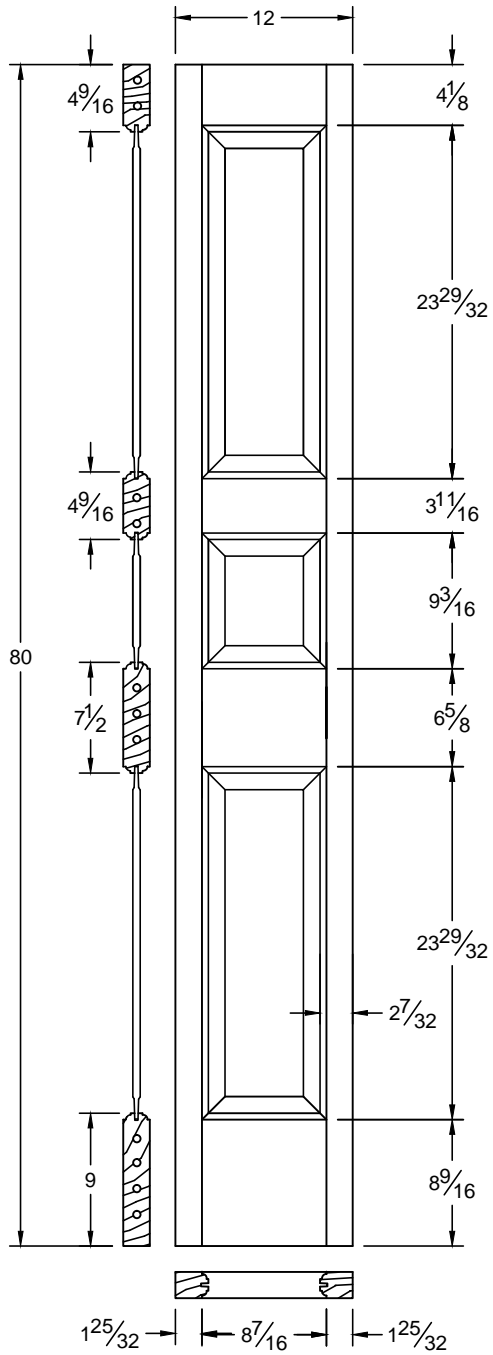


This drawing contains information which is the property of Woodgrain Millwork, Inc. This drawing is received on confidence and contents may not be disclosed without the prior written consent of Woodgrain Millwork, Inc.

100

Draw #:	Ovolo 100_14_80
Date:	08 - 17 - 12
Drawn By:	T Doughty

woodgrain doors



This drawing contains information which is the property of Woodgrain Millwork, Inc. This drawing is received on confidence and contents may not be disclosed without the prior written consent of Woodgrain Millwork, Inc.

100

Draw #:	Ovolo 100_12_80
Date:	08 - 17 - 12
Drawn By:	T Doughty

 woodgrain doors