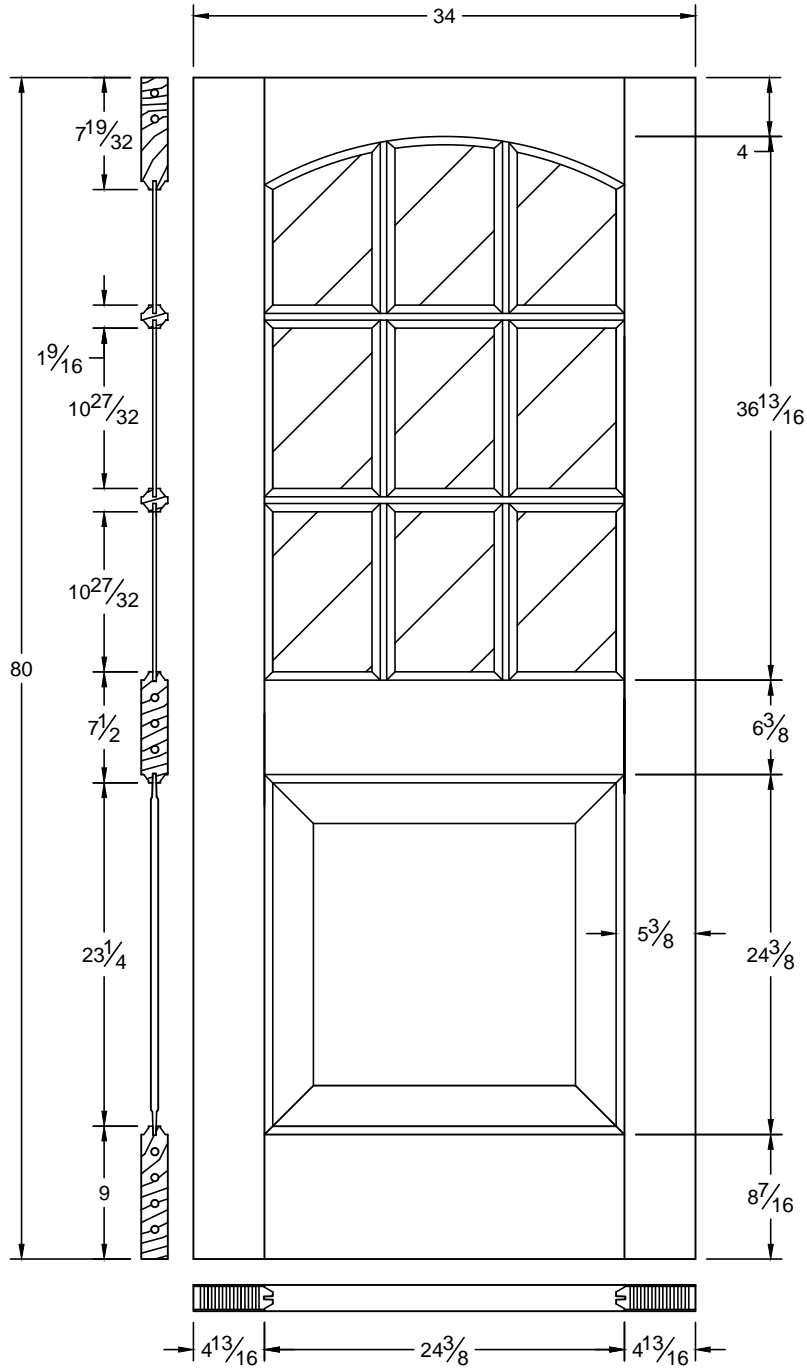


This drawing contains information which is the property of Woodgrain Millwork, Inc. This drawing is received on confidence and contents may not be disclosed without the prior written consent of Woodgrain Millwork, Inc.

**861 / 6861**

Draw #:	Breck 861_36_80
Date:	12 - 01 - 12
Drawn By:	T Doughty

**woodgrain doors**

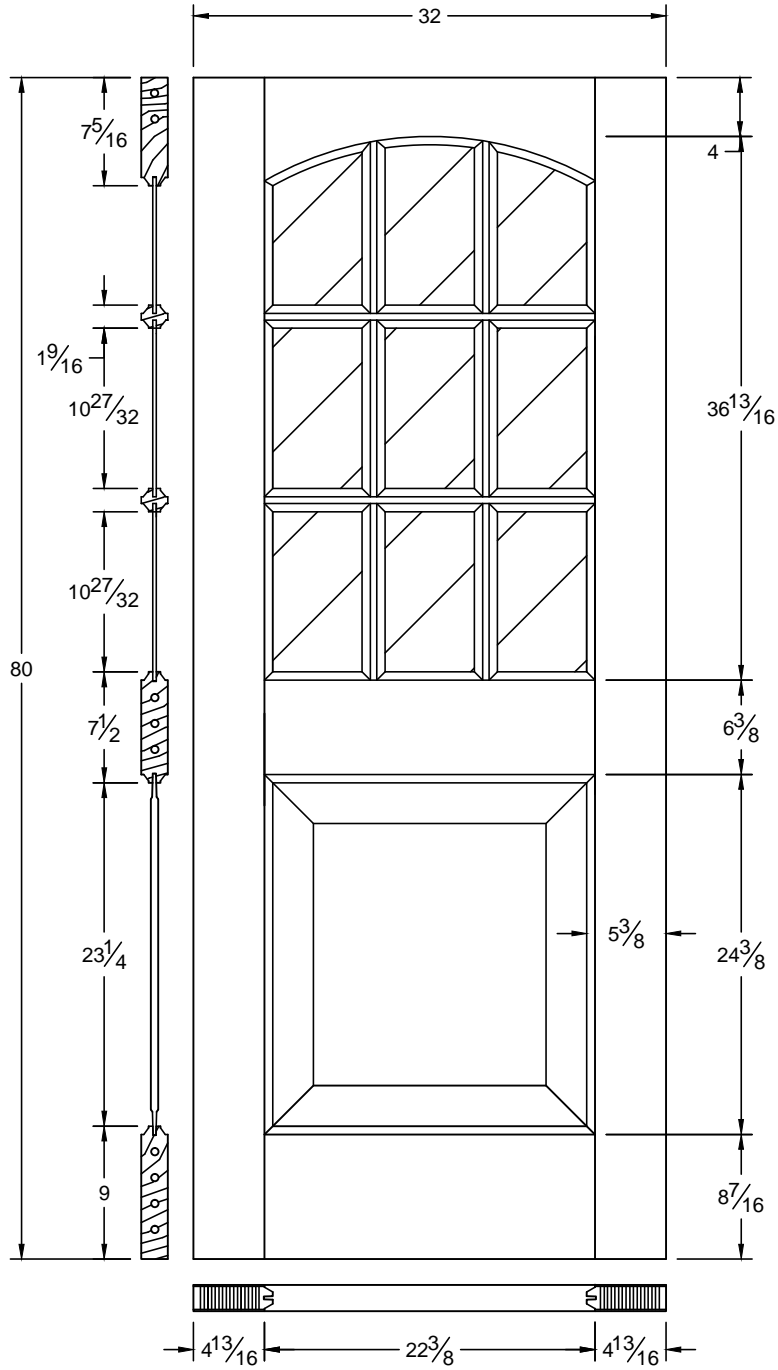


This drawing contains information which is the property of Woodgrain Millwork, Inc. This drawing is received on confidence and contents may not be disclosed without the prior written consent of Woodgrain Millwork, Inc.

**861 / 6861**

Draw #: Breck 861\_34\_80  
 Date: 12 - 01 - 12  
 Drawn By: T Doughty

woodgrain doors

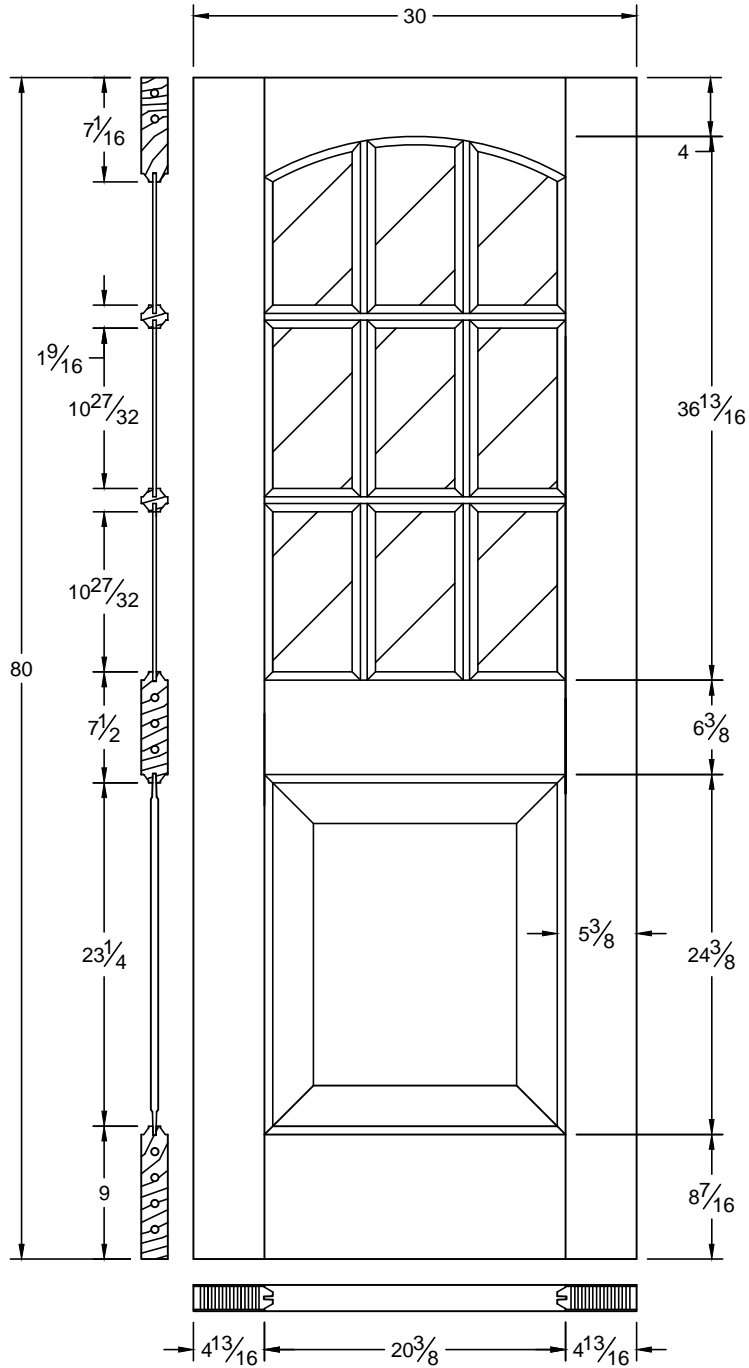


This drawing contains information which is the property of Woodgrain Millwork, Inc. This drawing is received on confidence and contents may not be disclosed without the prior written consent of Woodgrain Millwork, Inc.

861 / 6861

Draw #:	Breck 861_32_80
Date:	12 - 01 - 12
Drawn By:	T Doughty

 woodgrain doors

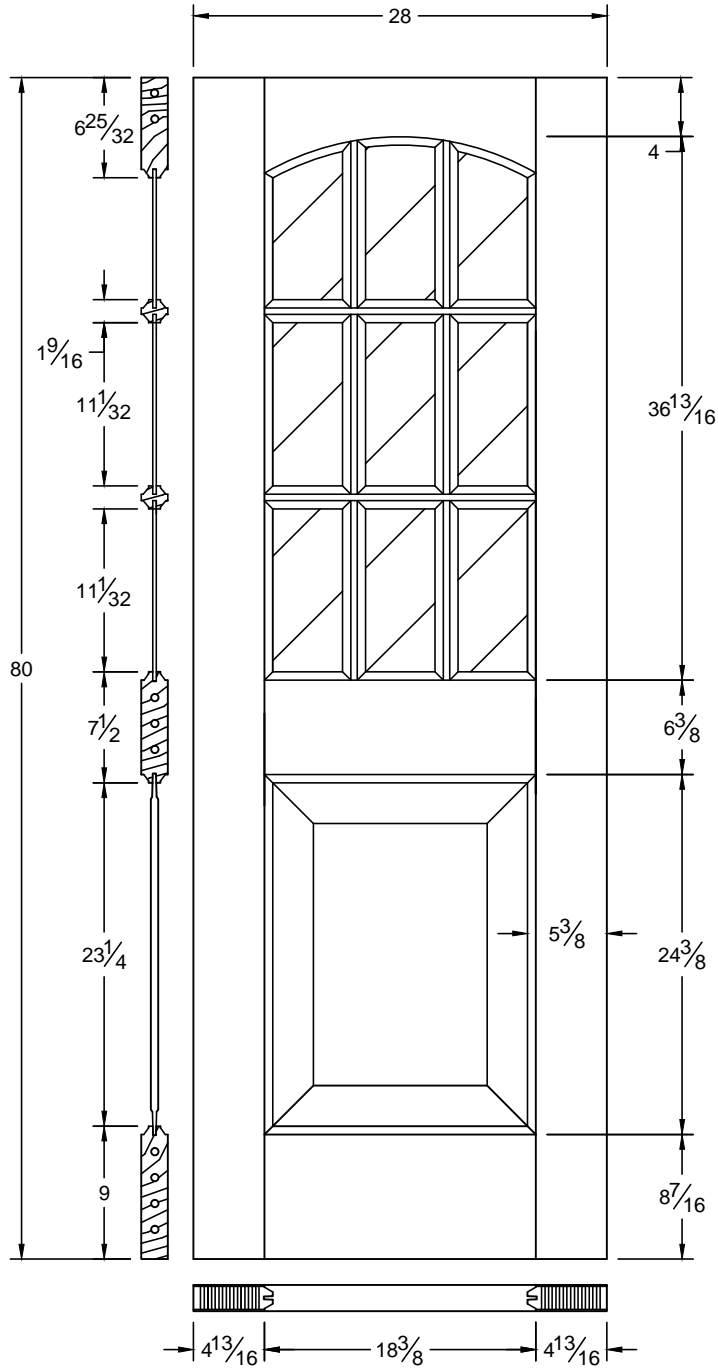


This drawing contains information which is the property of Woodgrain Millwork, Inc. This drawing is received on confidence and contents may not be disclosed without the prior written consent of Woodgrain Millwork, Inc.

861 / 6861

Draw #:	Breck 861_30_80
Date:	12 - 01 - 12
Drawn By:	T Doughty

 woodgrain doors

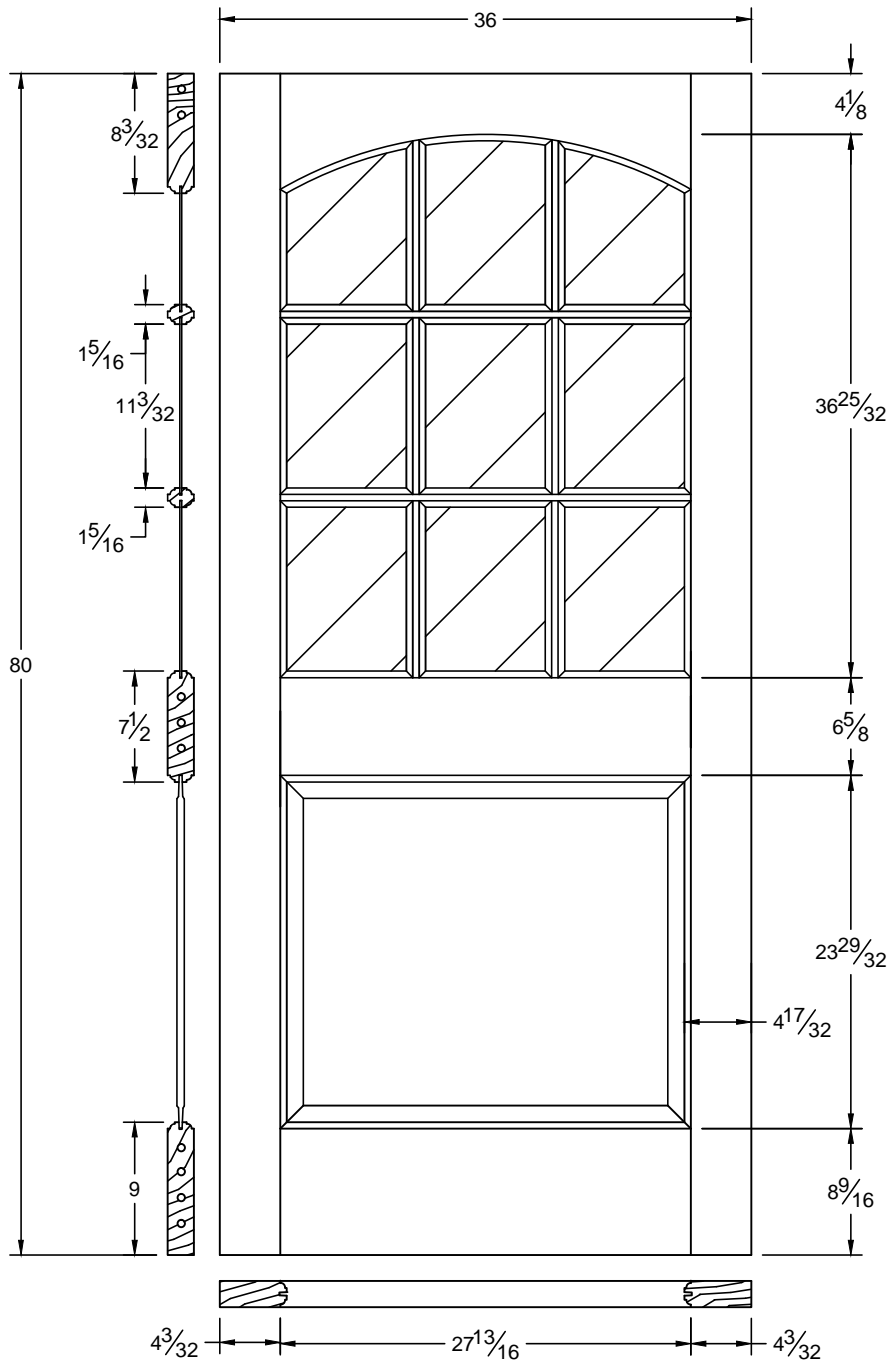


This drawing contains information which is the property of Woodgrain Millwork, Inc. This drawing is received on confidence and contents may not be disclosed without the prior written consent of Woodgrain Millwork, Inc.

861 / 6861

Draw #:	Breck 861_28_80
Date:	12 - 01 - 12
Drawn By:	T Doughty

 woodgrain doors

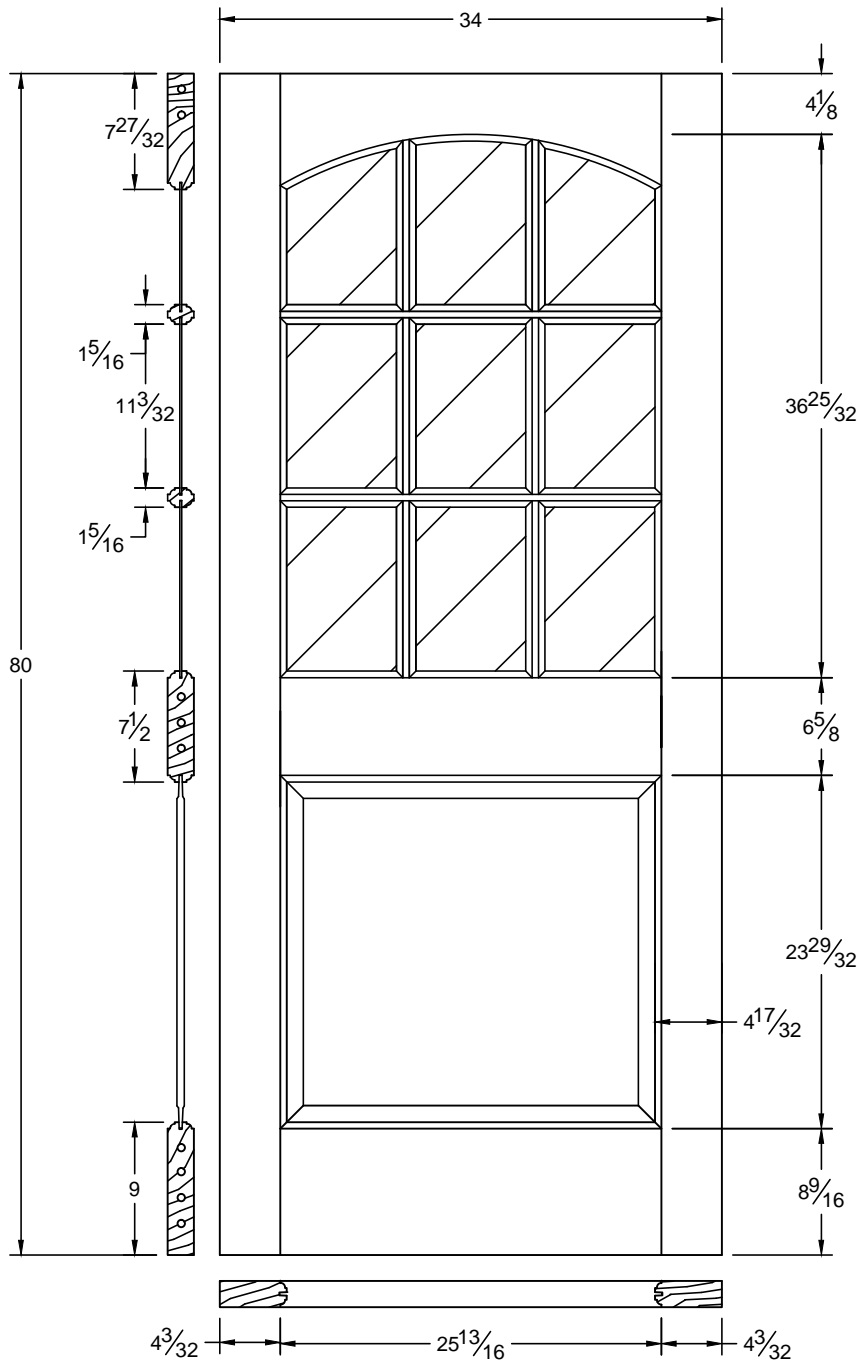


This drawing contains information which is the property of Woodgrain Millwork, Inc. This drawing is received on confidence and contents may not be disclosed without the prior written consent of Woodgrain Millwork, Inc.

**861 / 6861**

Draw #: Ovolo 861\_36\_80  
 Date: 09 - 22 - 12  
 Drawn By: T Doughty



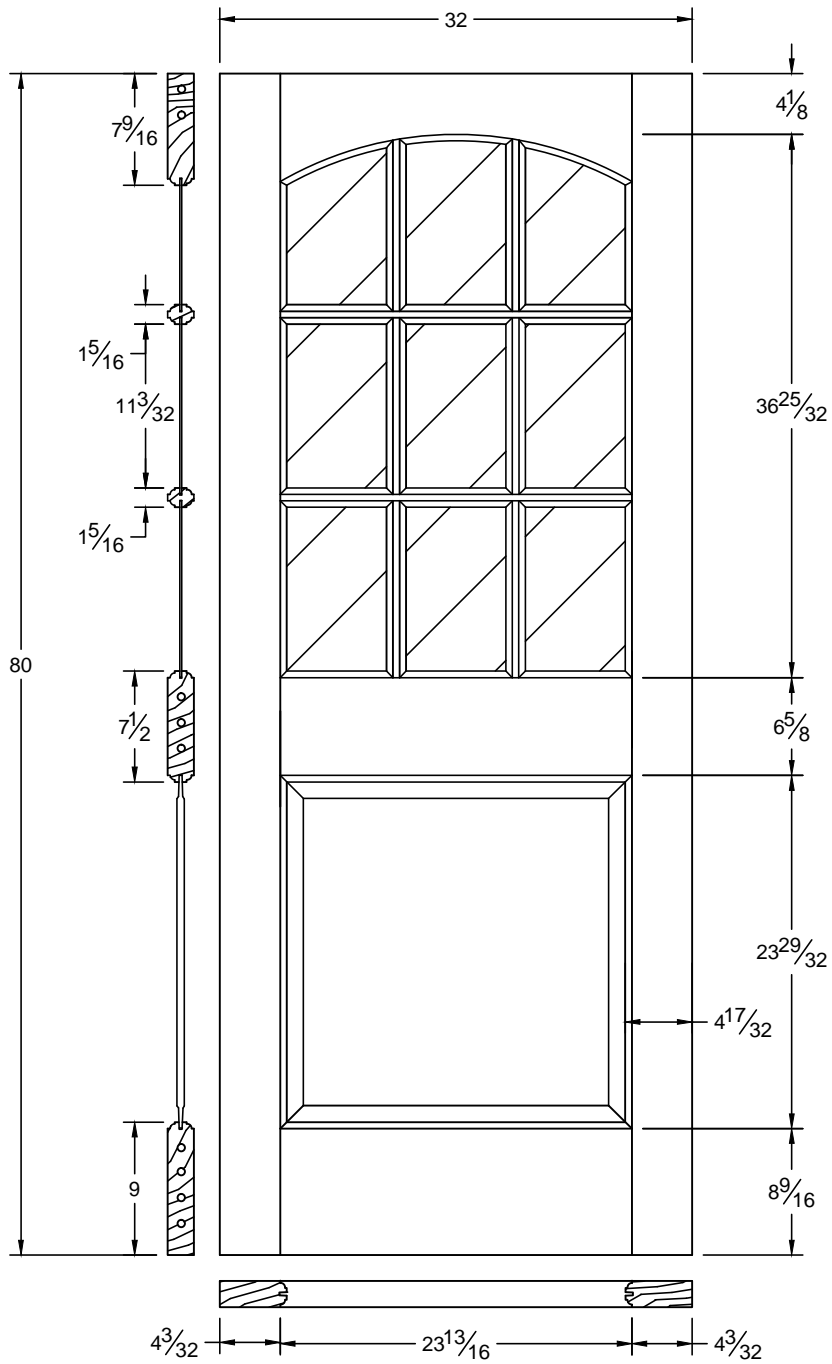


This drawing contains information which is the property of Woodgrain Millwork, Inc. This drawing is received on confidence and contents may not be disclosed without the prior written consent of Woodgrain Millwork, Inc.

861 / 6861

Draw #:	Ovolo 861_34_80
Date:	09 - 22 - 12
Drawn By:	T Doughty





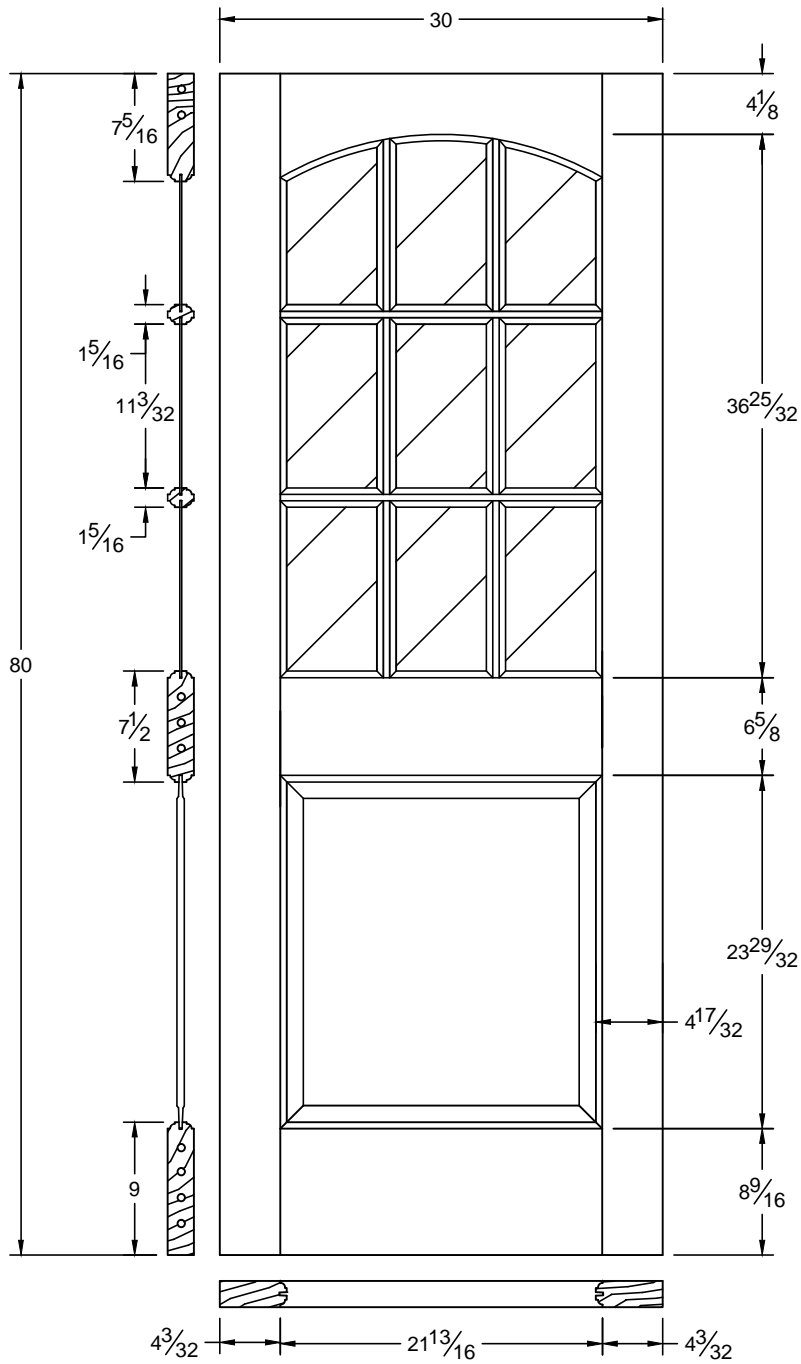
This drawing contains information which is the property of Woodgrain Millwork, Inc. This drawing is received on confidence and contents may not be disclosed without the prior written consent of Woodgrain Millwork, Inc.

861 / 6861

Draw #:	Ovolo 861_32_80
Date:	09 - 22 - 12
Drawn By:	T Doughty





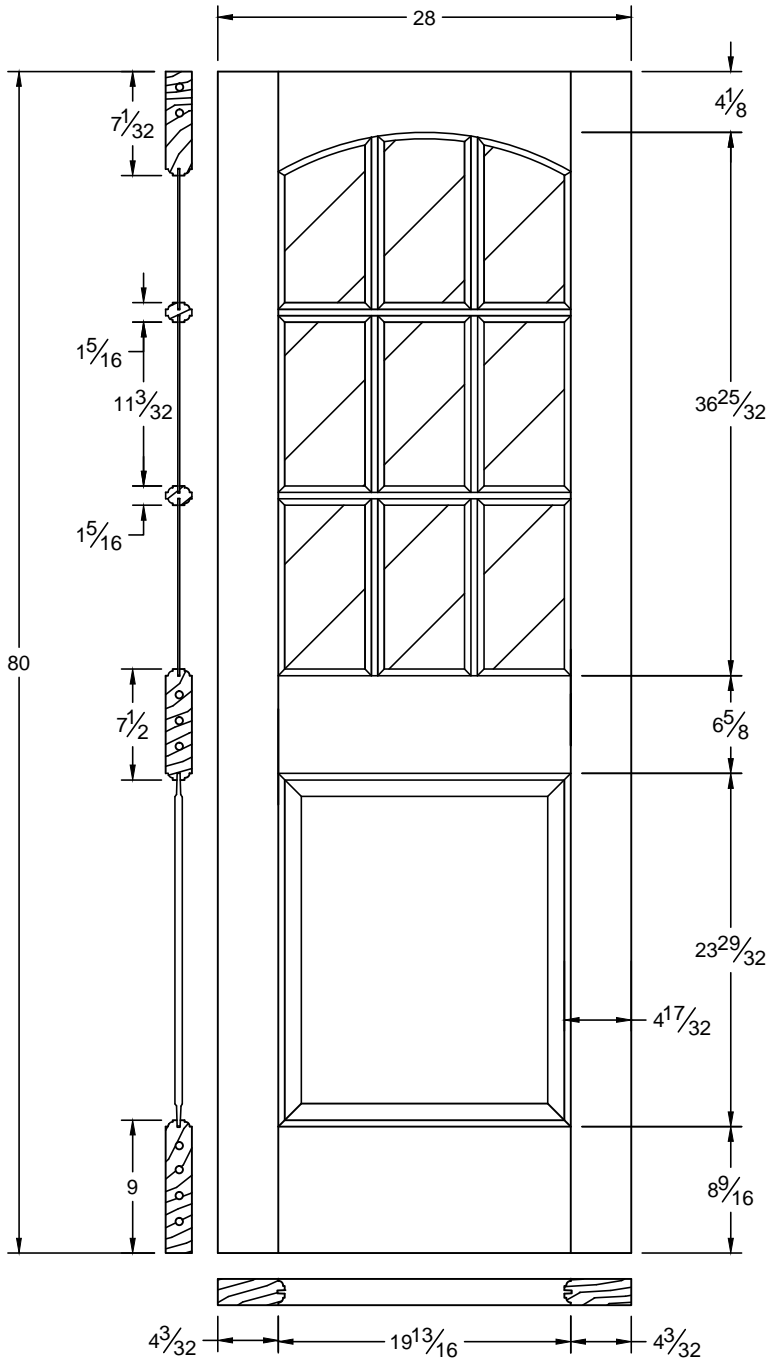


This drawing contains information which is the property of Woodgrain Millwork, Inc. This drawing is received on confidence and contents may not be disclosed without the prior written consent of Woodgrain Millwork, Inc.

861 / 6861

Draw #:	Ovolo 861_30_80
Date:	09 - 22 - 12
Drawn By:	T Doughty

  
woodgrain doors



This drawing contains information which is the property of Woodgrain Millwork, Inc. This drawing is received on confidence and contents may not be disclosed without the prior written consent of Woodgrain Millwork, Inc.

**861 / 6861**

Draw #:	Ovolo 861_28_80
Date:	09 - 22 - 12
Drawn By:	T Doughty

