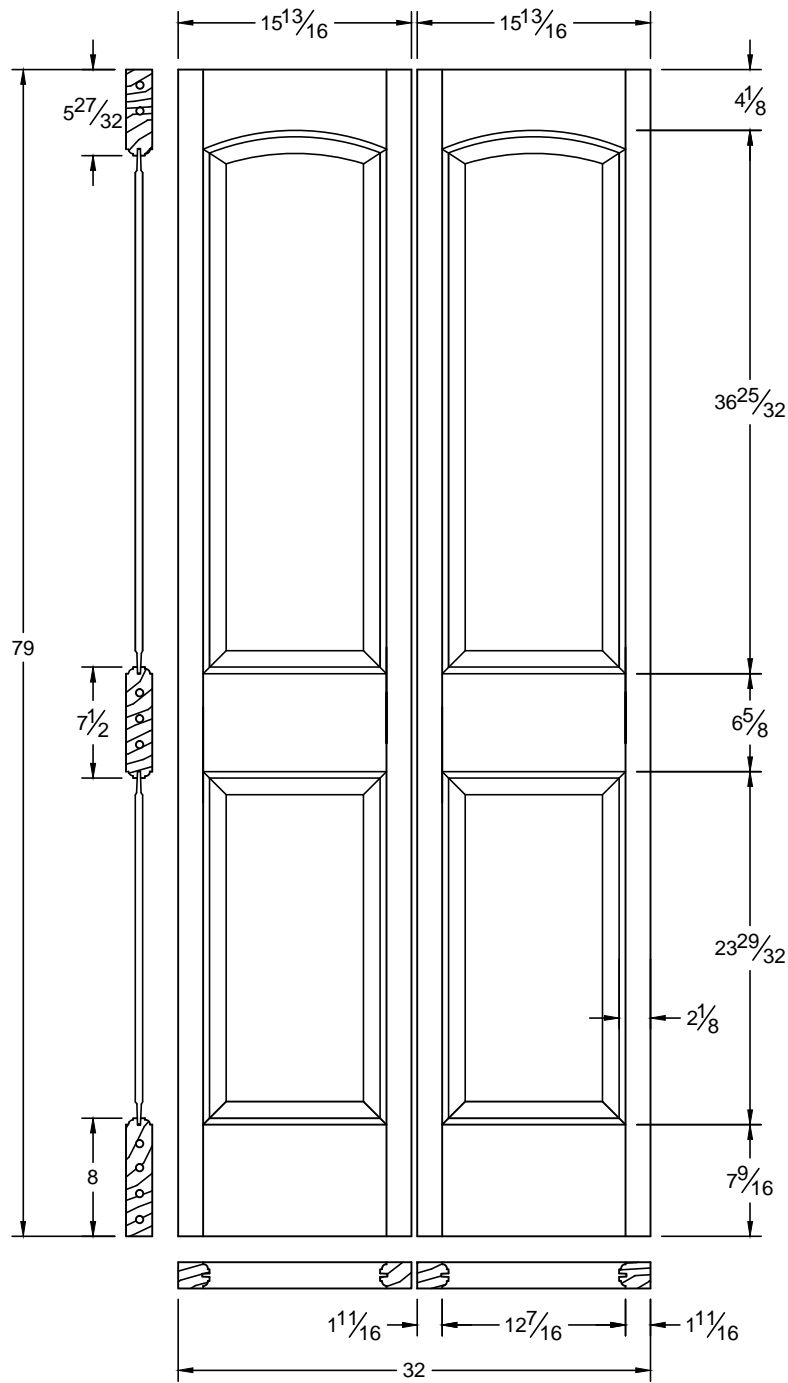


This drawing contains information which is the property of Woodgrain Millwork, Inc. This drawing is received on confidence and contents may not be disclosed without the prior written consent of Woodgrain Millwork, Inc.

802 BF

Draw #:	Ovolo 802_36_79-BF
Date:	03 - 09 - 13
Drawn By:	T Doughty

 woodgrain doors

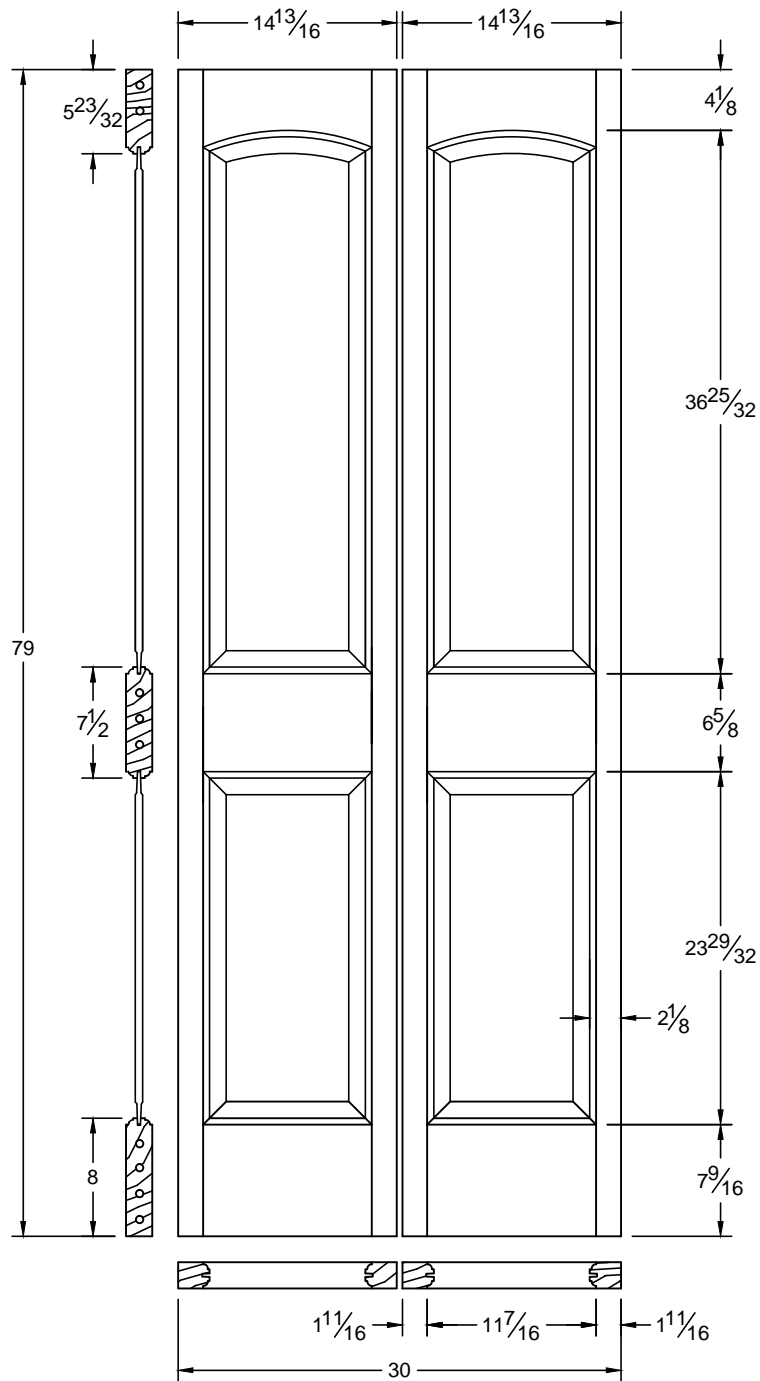


This drawing contains information which is the property of Woodgrain Millwork, Inc. This drawing is received on confidence and contents may not be disclosed without the prior written consent of Woodgrain Millwork, Inc.

802 BF

Draw #:	Ovolo 802_32_79-BF
Date:	03 - 09 - 13
Drawn By:	T Doughty

woodgrain doors

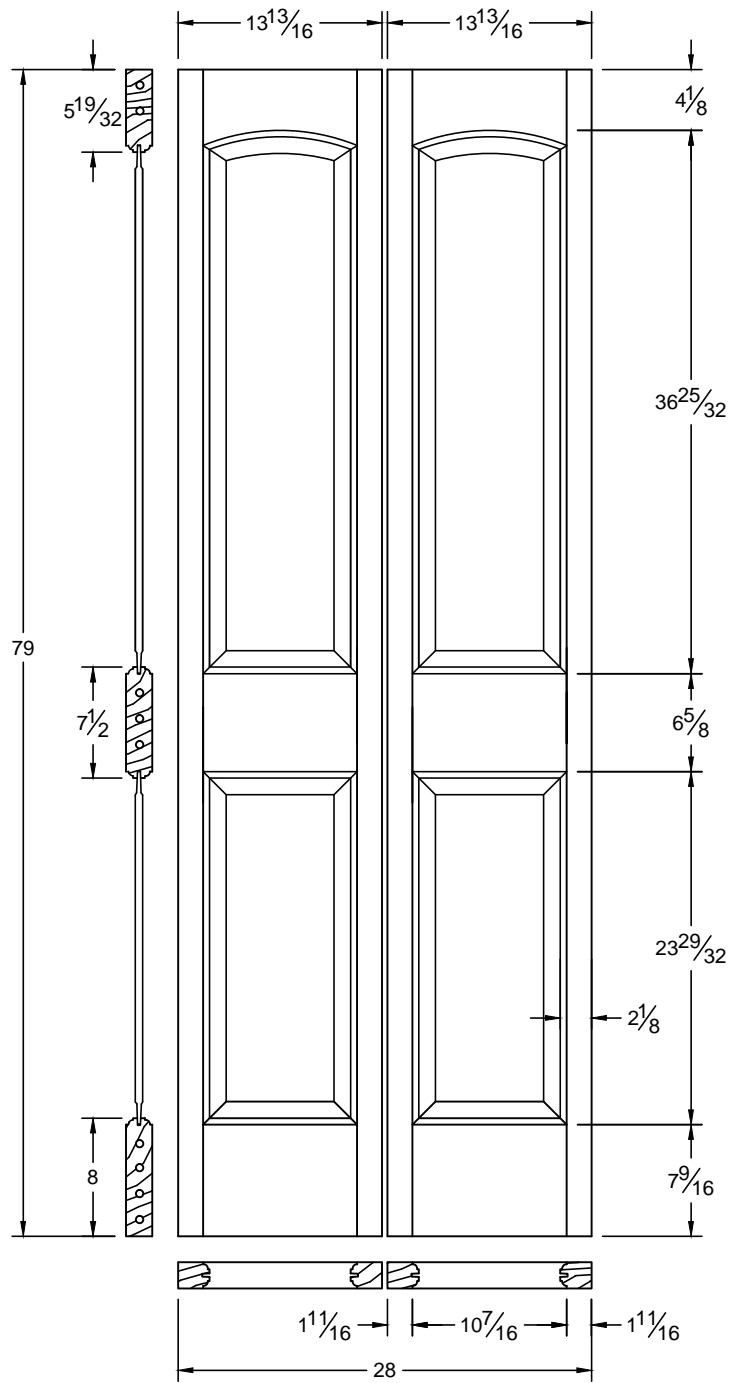


This drawing contains information which is the property of Woodgrain Millwork, Inc. This drawing is received on confidence and contents may not be disclosed without the prior written consent of Woodgrain Millwork, Inc.

802 BF

Draw #:	Ovolo 802_30_79-BF
Date:	03 - 09 - 13
Drawn By:	T Doughty

 woodgrain doors

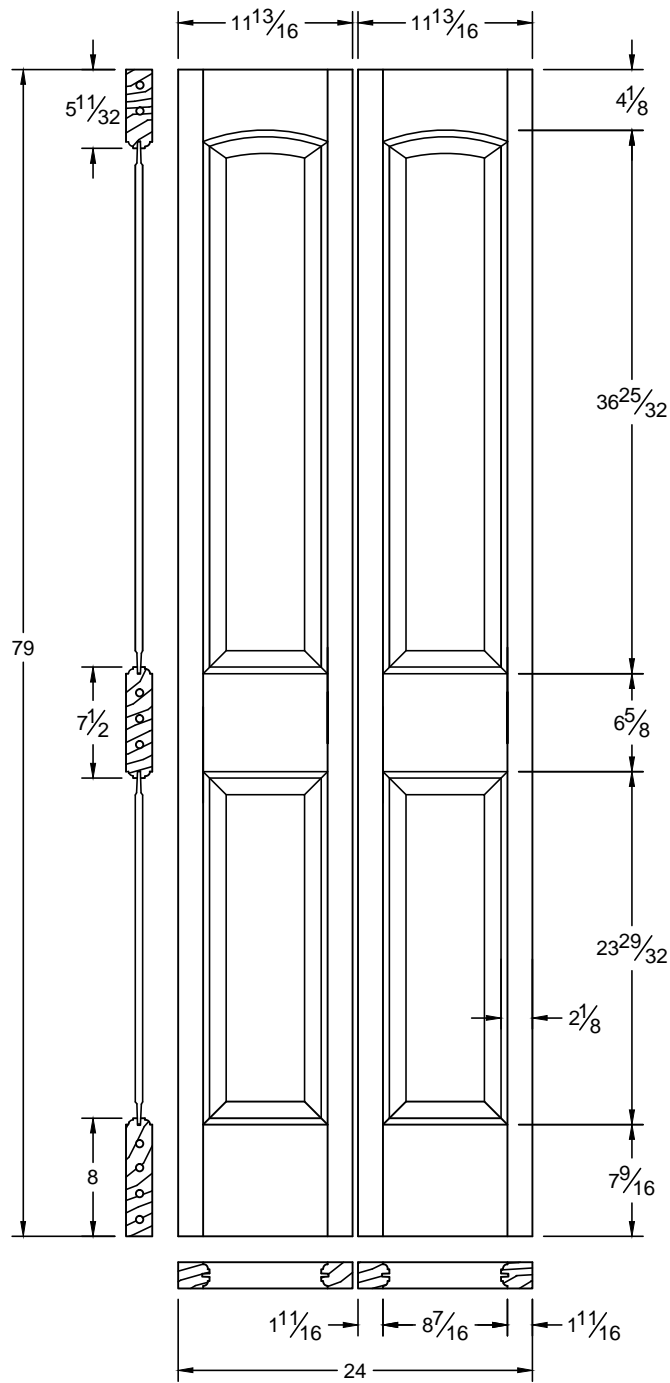


This drawing contains information which is the property of Woodgrain Millwork, Inc. This drawing is received on confidence and contents may not be disclosed without the prior written consent of Woodgrain Millwork, Inc.

802 BF

Draw #:	Ovolo 802_28_79-BF
Date:	03 - 09 - 13
Drawn By:	T Doughty



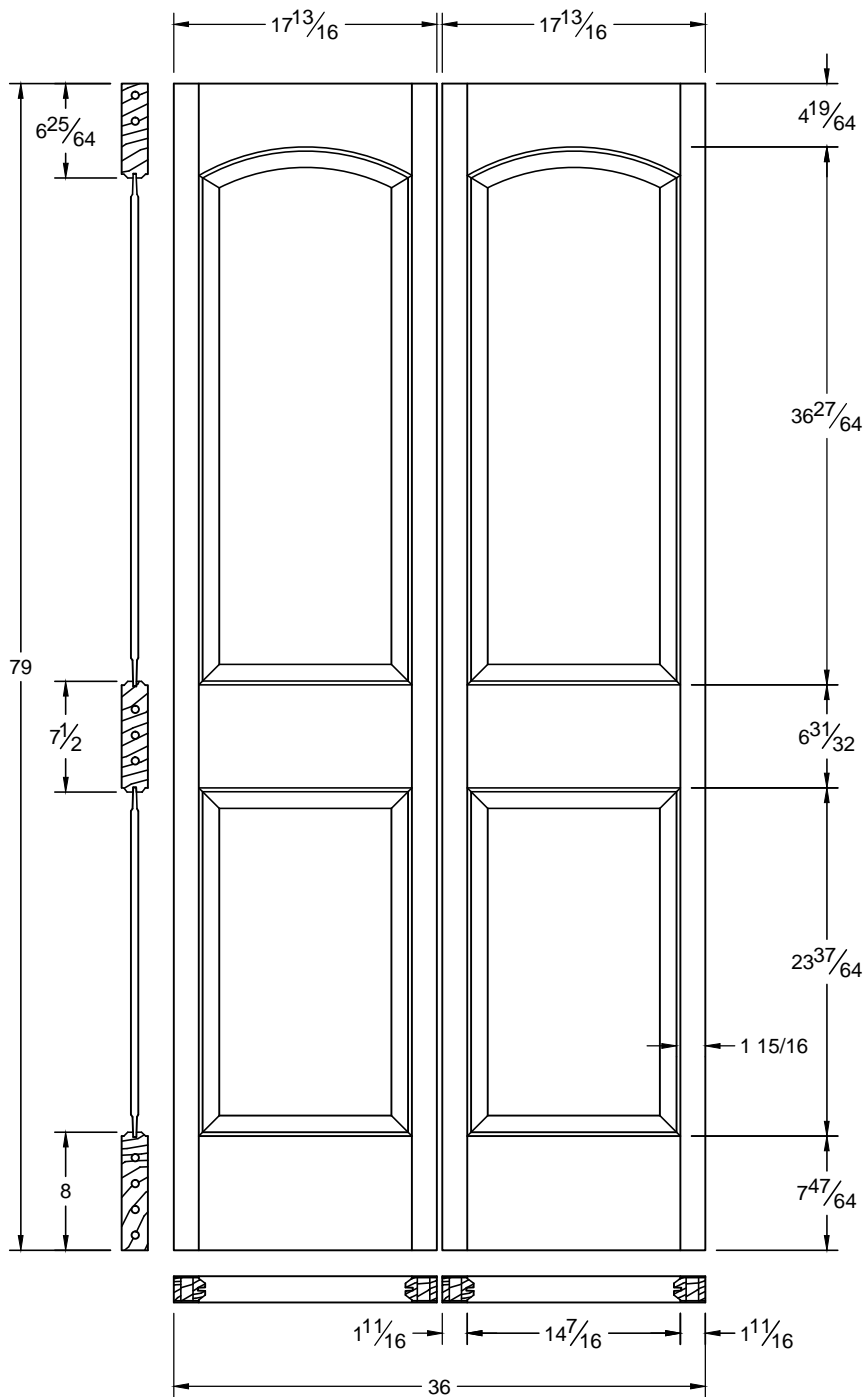


This drawing contains information which is the property of Woodgrain Millwork, Inc. This drawing is received on confidence and contents may not be disclosed without the prior written consent of Woodgrain Millwork, Inc.

802 BF

Draw #:	Ovolo 802_24_79-BF
Date:	03 - 09 - 13
Drawn By:	T Doughty


woodgrain doors

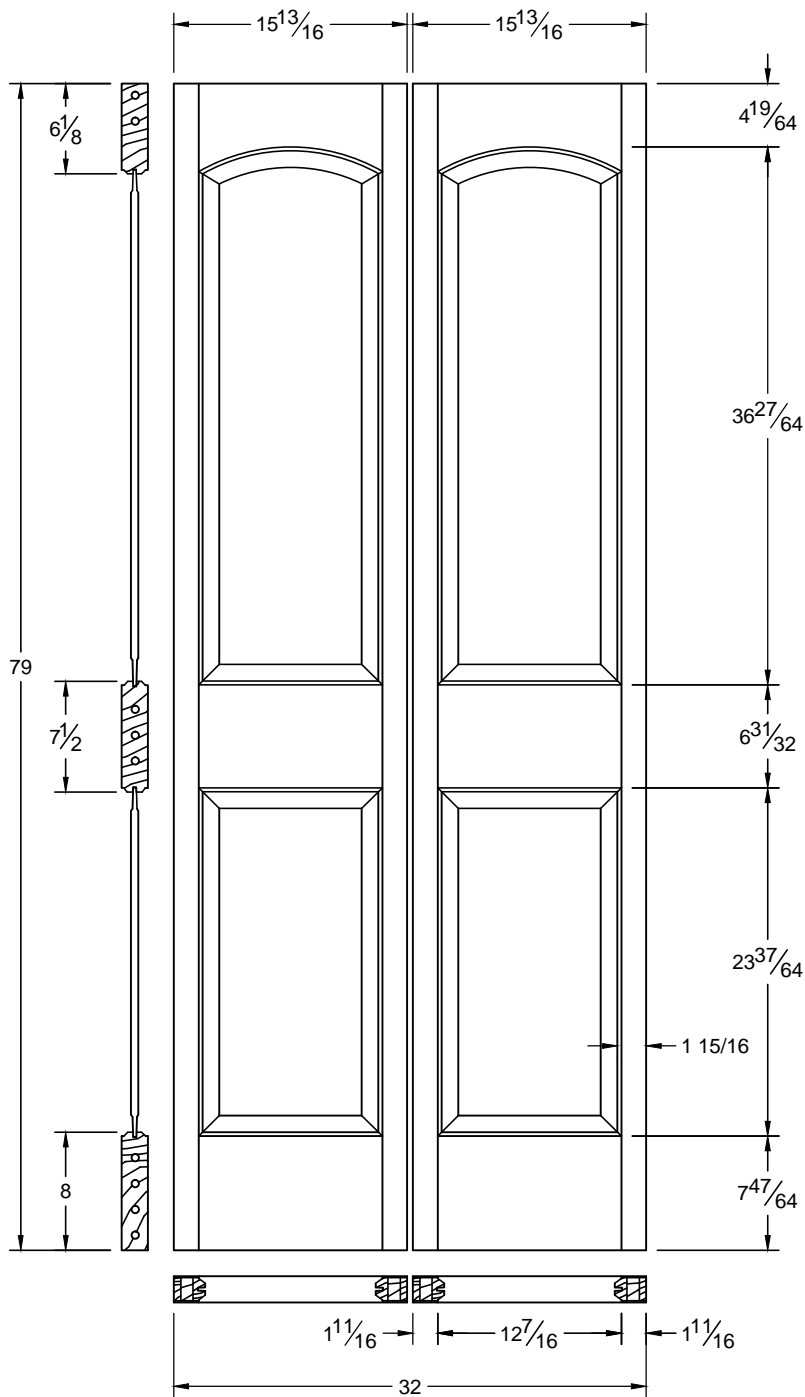


This drawing contains information which is the property of Woodgrain Millwork, Inc. This drawing is received on confidence and contents may not be disclosed without the prior written consent of Woodgrain Millwork, Inc.

802 BF

Draw #:	Taper 802_36_79-BF
Date:	02 - 06 - 13
Drawn By:	T Doughty



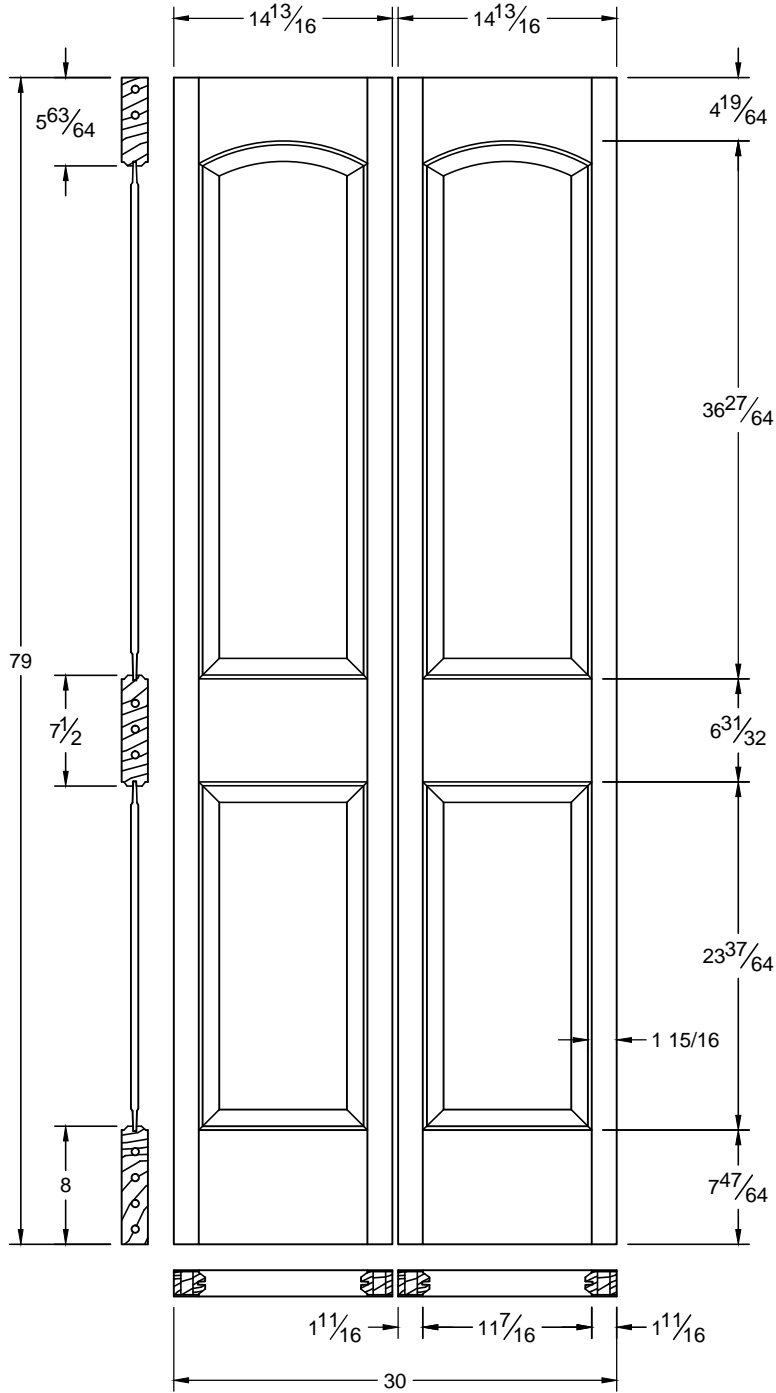


This drawing contains information which is the property of Woodgrain Millwork, Inc. This drawing is received on confidence and contents may not be disclosed without the prior written consent of Woodgrain Millwork, Inc.

802 BF

Draw #:	Taper 802_32_79-BF
Date:	02 - 06 - 13
Drawn By:	T Doughty

 woodgrain doors



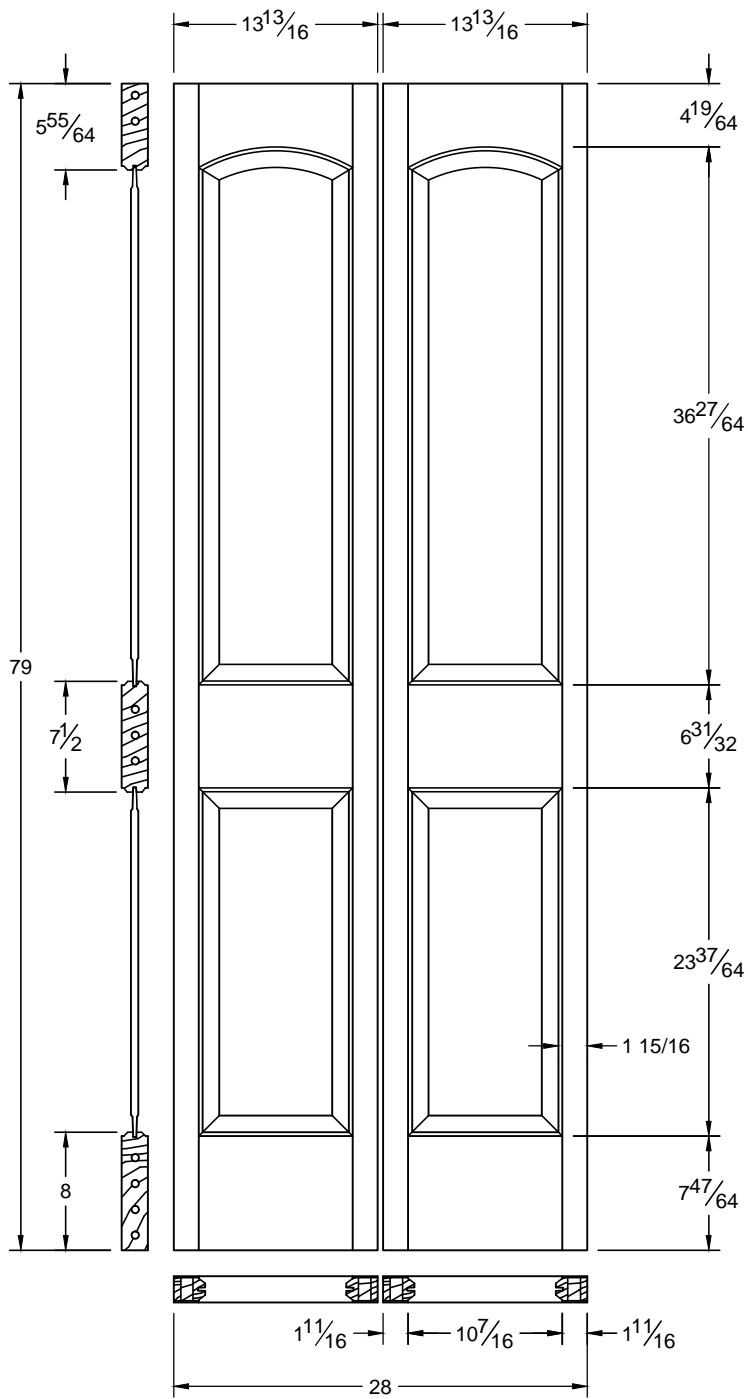
This drawing contains information which is the property of Woodgrain Millwork, Inc. This drawing is received on confidence and contents may not be disclosed without the prior written consent of Woodgrain Millwork, Inc.

802 BF

Draw #:	Taper 802_30_79-BF
Date:	02 - 06 - 13
Drawn By:	T Doughty



 woodgrain doors

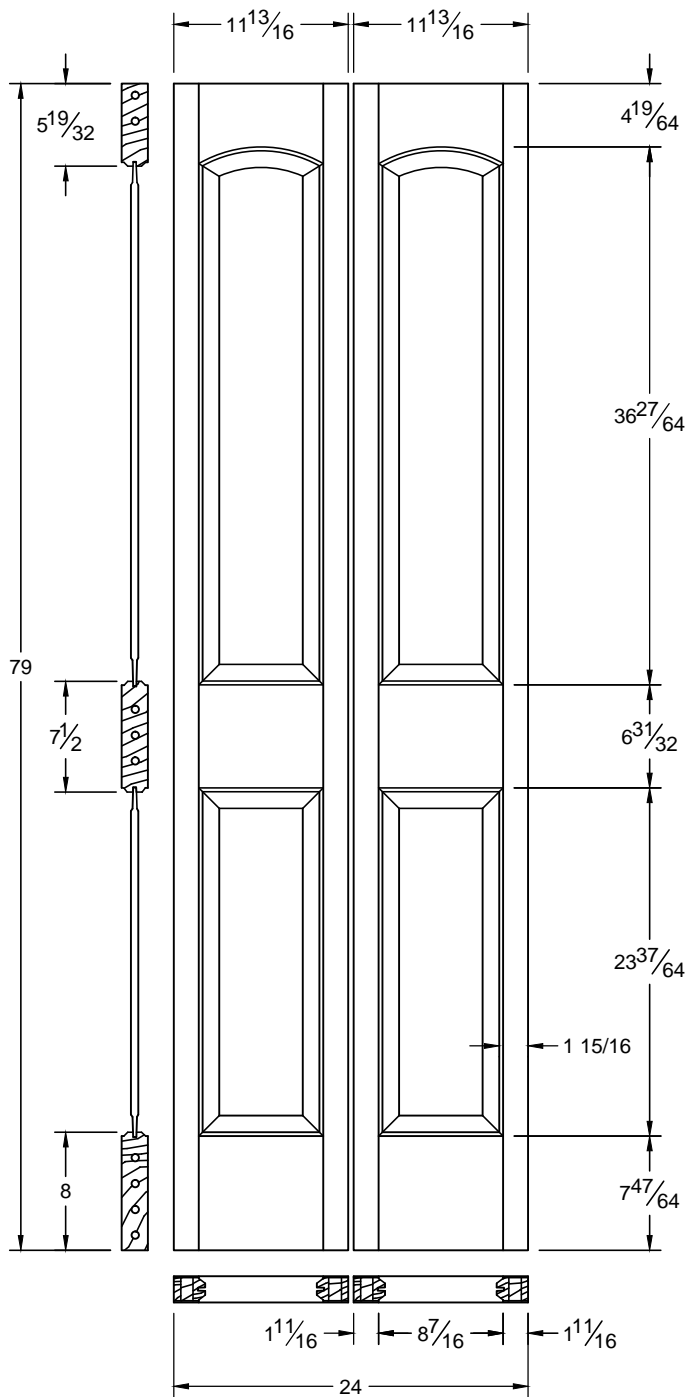


This drawing contains information which is the property of Woodgrain Millwork, Inc. This drawing is received on confidence and contents may not be disclosed without the prior written consent of Woodgrain Millwork, Inc.

802 BF

Draw #:	Taper 802_28_79-BF
Date:	02 - 06 - 13
Drawn By:	T Doughty


woodgrain doors



This drawing contains information which is the property of Woodgrain Millwork, Inc. This drawing is received on confidence and contents may not be disclosed without the prior written consent of Woodgrain Millwork, Inc.

802 BF

Draw #:	Taper 802_24_79-BF
Date:	02 - 06 - 13
Drawn By:	T Doughty

 woodgrain doors