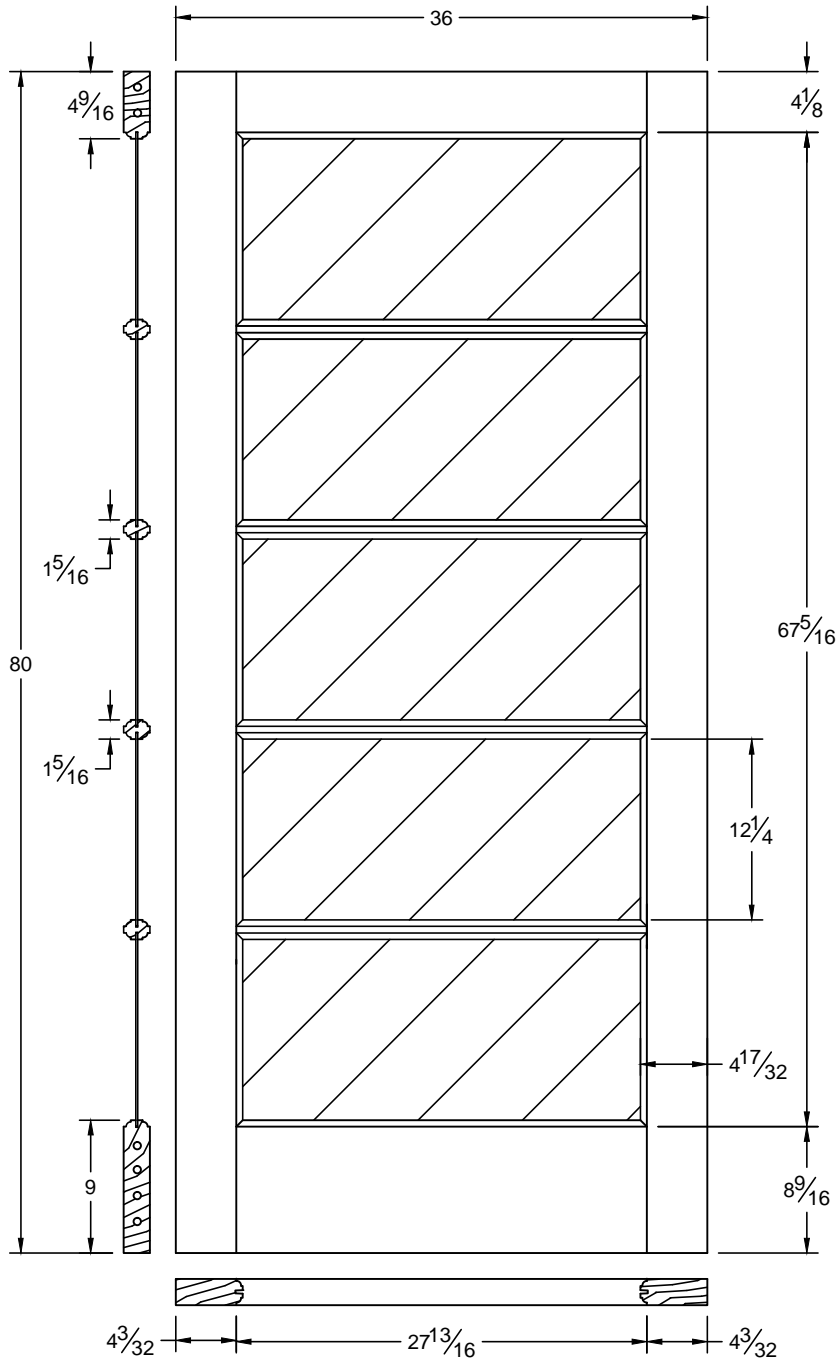


This drawing contains information which is the property of Woodgrain Millwork, Inc. This drawing is received on confidence and contents may not be disclosed without the prior written consent of Woodgrain Millwork, Inc.

630 / 6630

Draw #:	Ovolo 630_36_80
Date:	09 - 29 - 12
Drawn By:	T Doughty



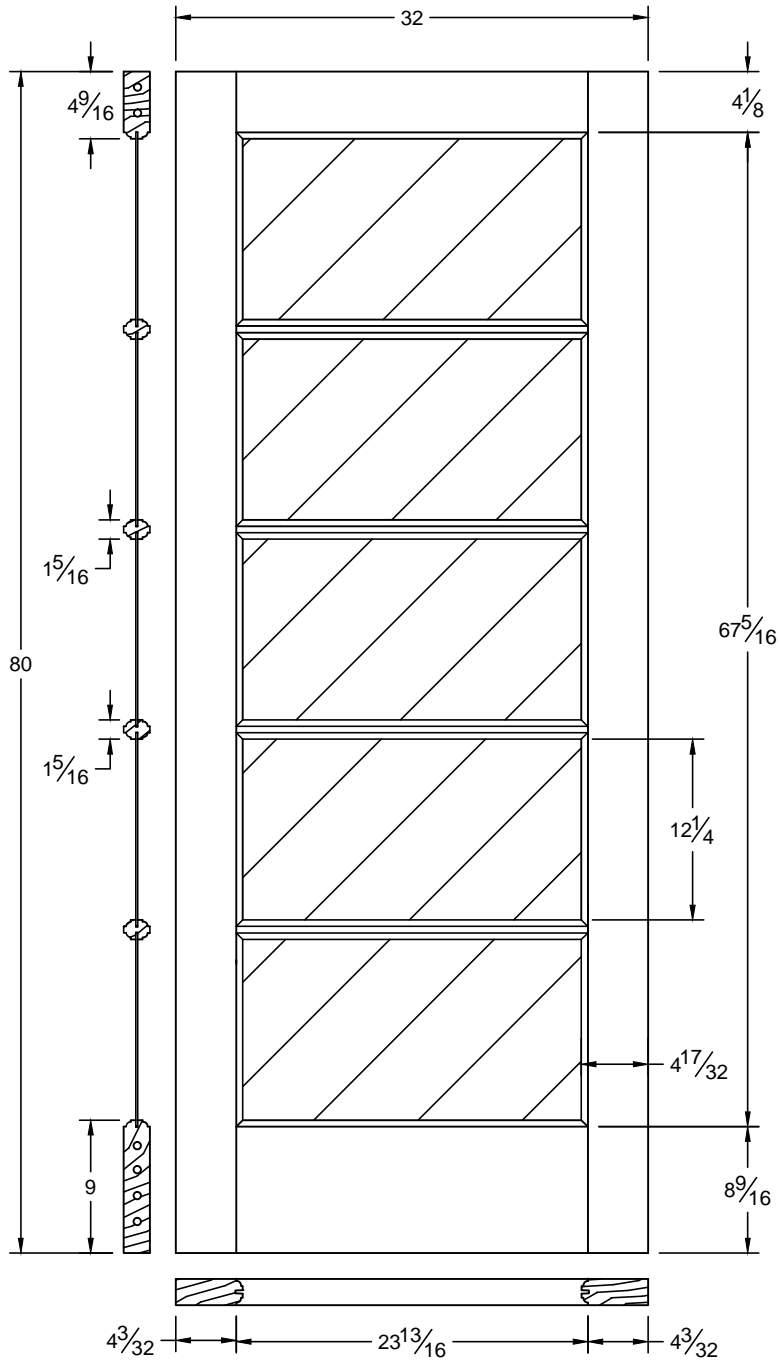


This drawing contains information which is the property of Woodgrain Millwork, Inc. This drawing is received on confidence and contents may not be disclosed without the prior written consent of Woodgrain Millwork, Inc.

630 / 6630

Draw #:	Ovolo 630_36_80
Date:	09 - 29 - 12
Drawn By:	T Doughty

 woodgrain doors

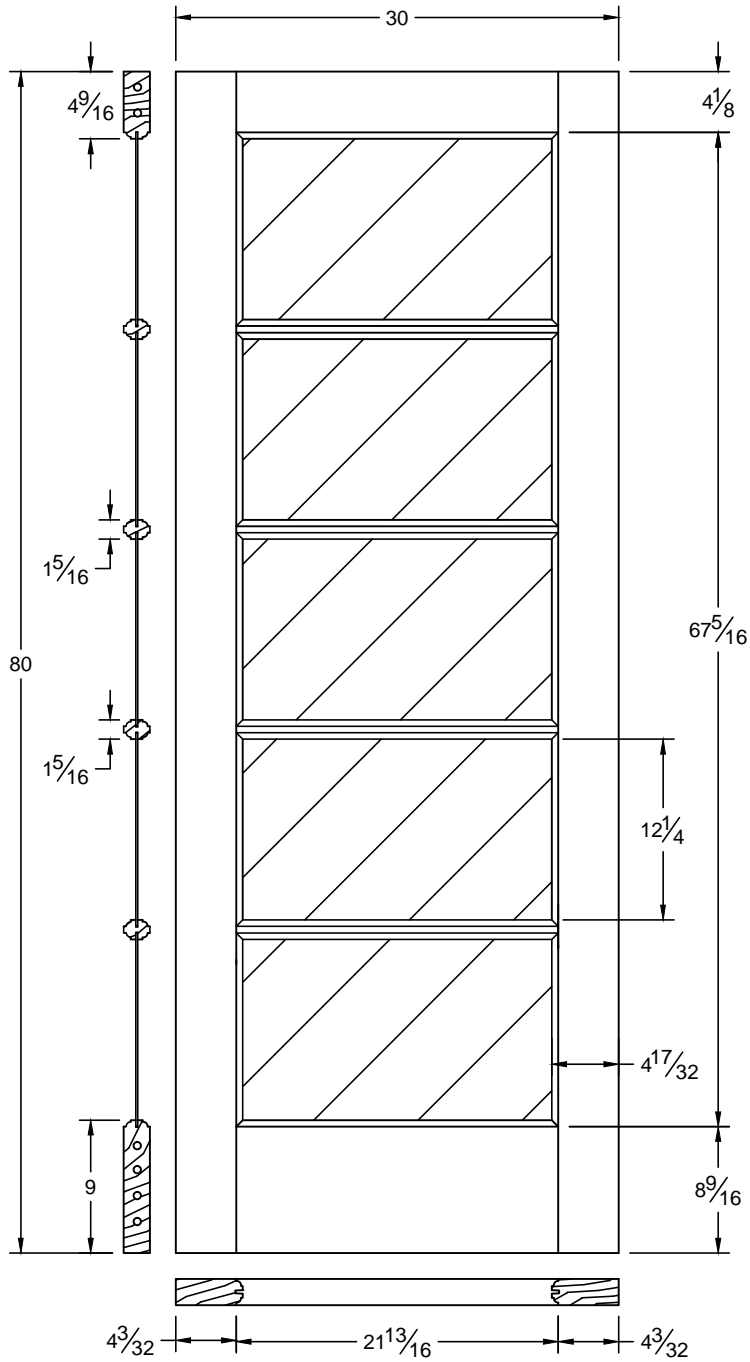


This drawing contains information which is the property of Woodgrain Millwork, Inc. This drawing is received on confidence and contents may not be disclosed without the prior written consent of Woodgrain Millwork, Inc.

630 / 6630

Draw #:	Ovolo 630_32_80
Date:	09 - 29 - 12
Drawn By:	T Doughty



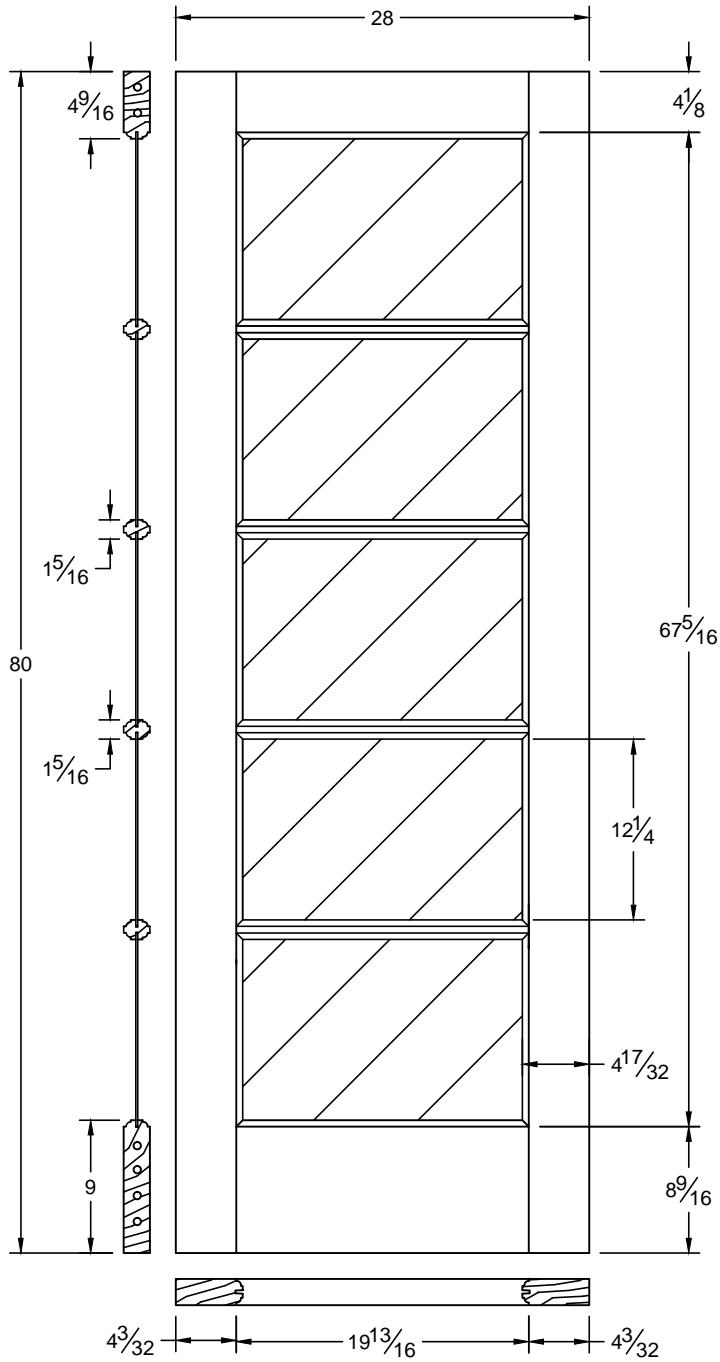


This drawing contains information which is the property of Woodgrain Millwork, Inc. This drawing is received on confidence and contents may not be disclosed without the prior written consent of Woodgrain Millwork, Inc.

630 / 6630

Draw #:	Ovolo 630_30_80
Date:	09 - 29 - 12
Drawn By:	T Doughty

 woodgrain doors

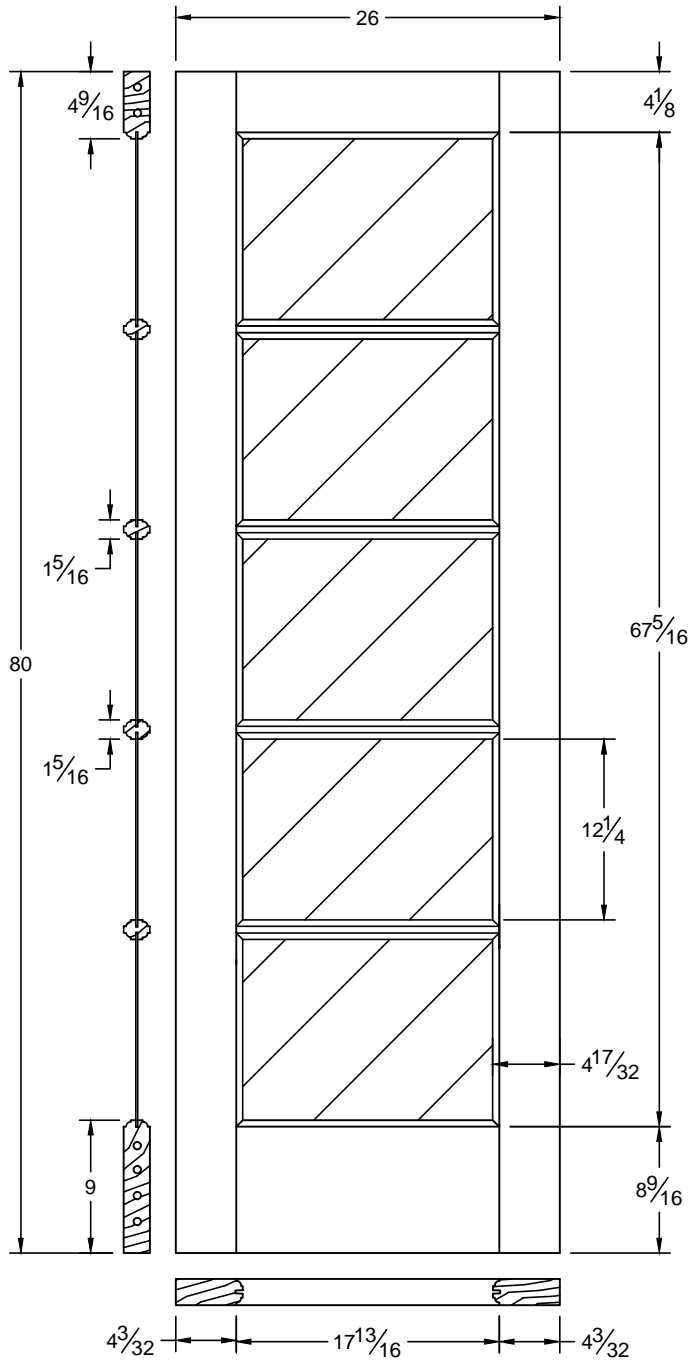


This drawing contains information which is the property of Woodgrain Millwork, Inc. This drawing is received on confidence and contents may not be disclosed without the prior written consent of Woodgrain Millwork, Inc.

630 / 6630

Draw #:	Ovolo 630_28_80
Date:	09 - 29 - 12
Drawn By:	T Doughty

 woodgrain doors

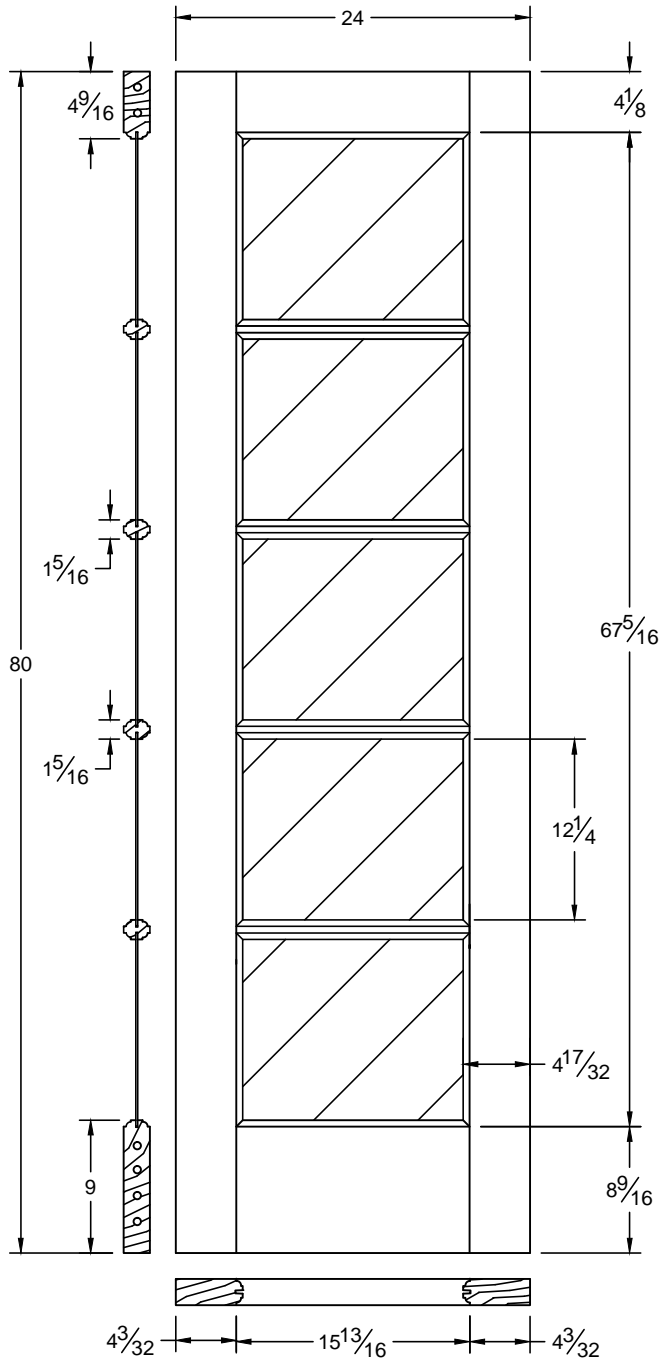


This drawing contains information which is the property of Woodgrain Millwork, Inc. This drawing is received on confidence and contents may not be disclosed without the prior written consent of Woodgrain Millwork, Inc.

630 / 6630

Draw #:	Ovolo 630_26_80
Date:	09 - 29 - 12
Drawn By:	T Doughty

 woodgrain doors

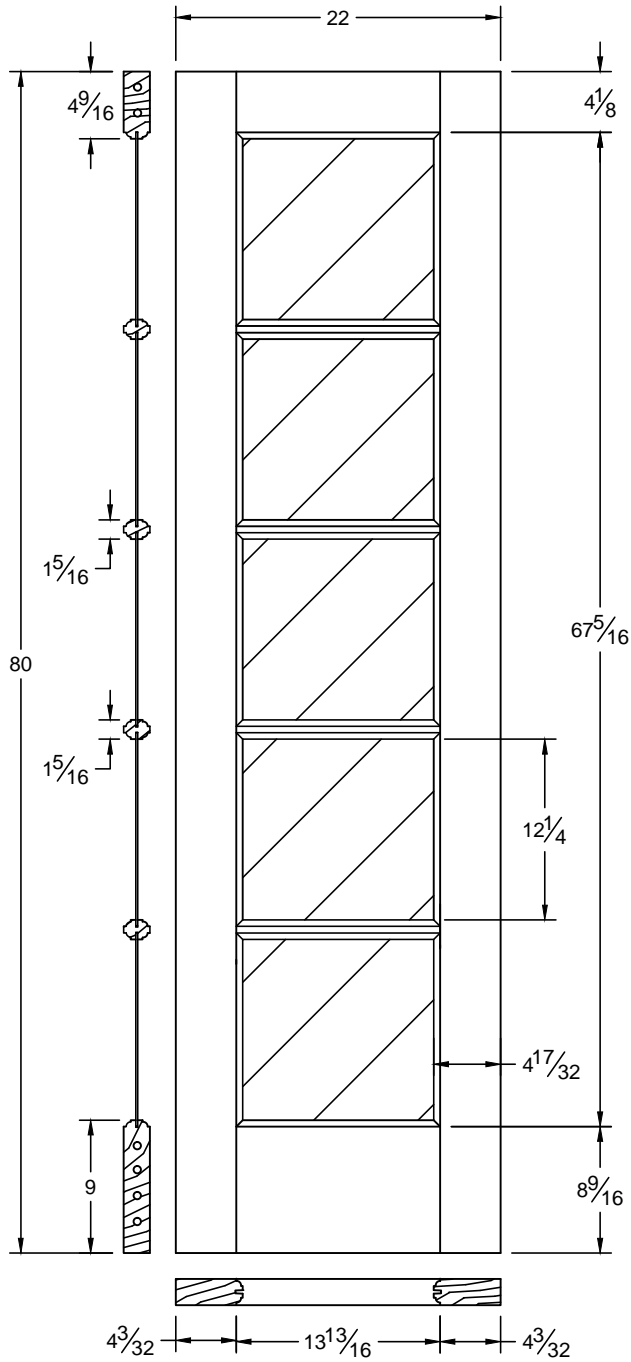


This drawing contains information which is the property of Woodgrain Millwork, Inc. This drawing is received on confidence and contents may not be disclosed without the prior written consent of Woodgrain Millwork, Inc.

**630 / 6630**

Draw #:	Ovolo 630_24_80
Date:	09 - 29 - 12
Drawn By:	T Doughty

  
woodgrain doors



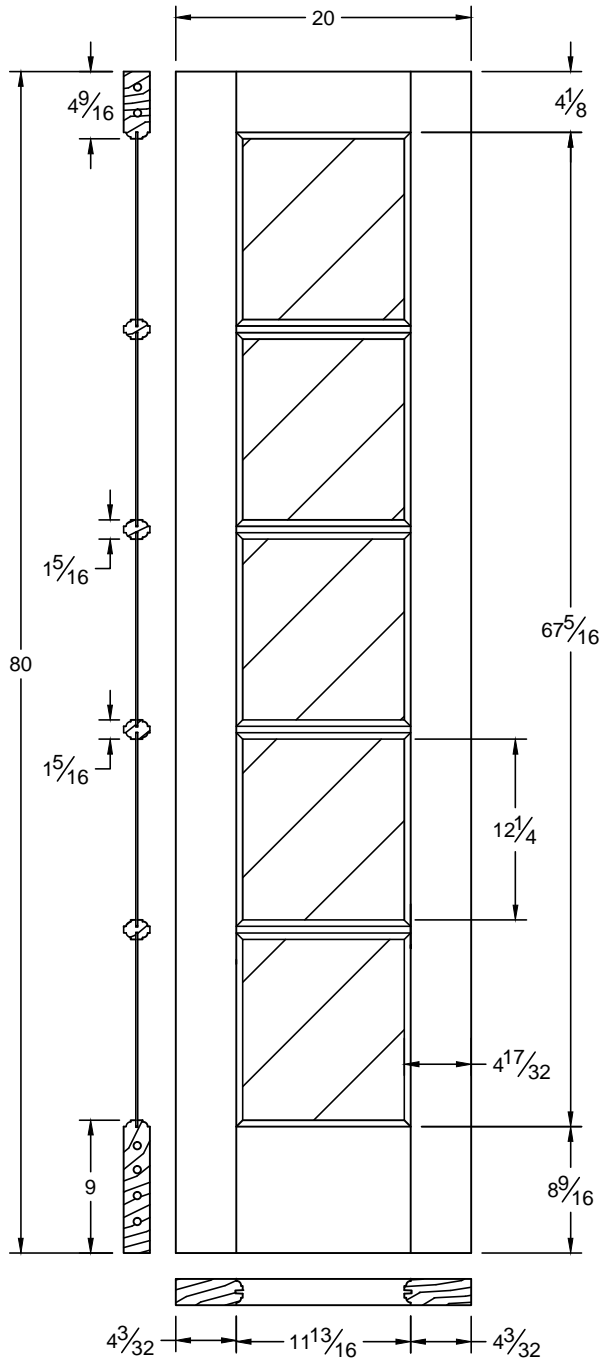
This drawing contains information which is the property of Woodgrain Millwork, Inc. This drawing is received on confidence and contents may not be disclosed without the prior written consent of Woodgrain Millwork, Inc.

630 / 6630

Draw #:	Ovolo 630_22_80
Date:	09 - 29 - 12
Drawn By:	T Doughty

  
woodgrain doors



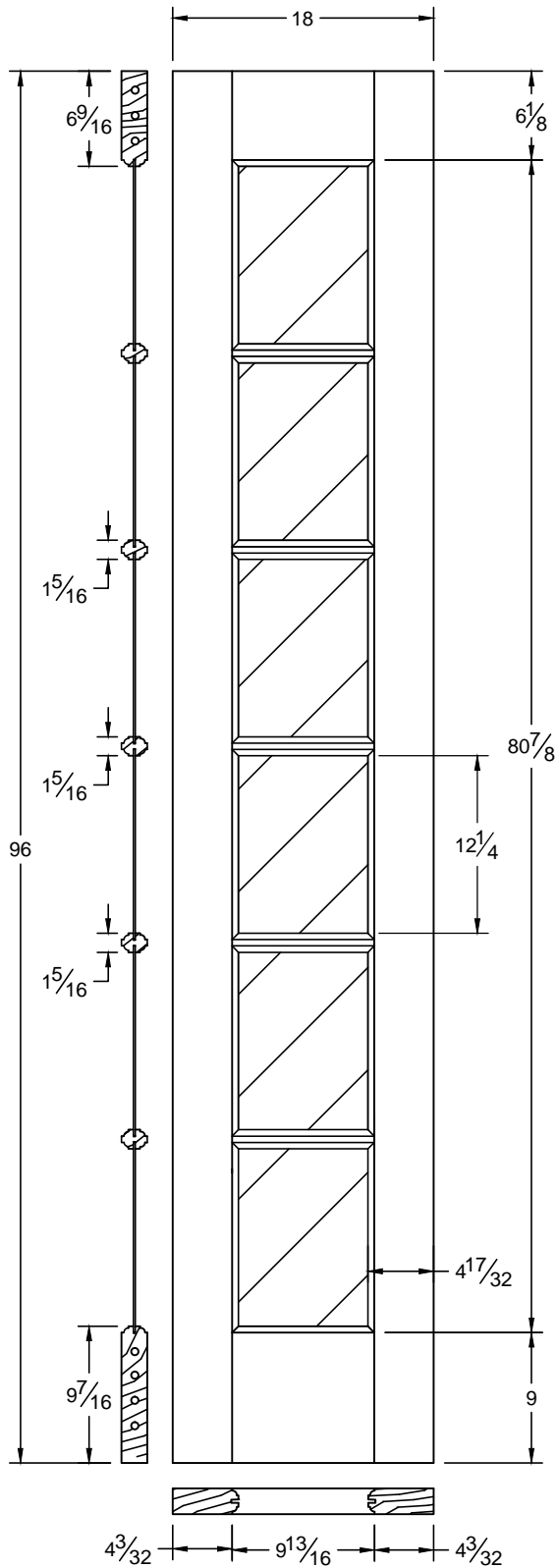


This drawing contains information which is the property of Woodgrain Millwork, Inc. This drawing is received on confidence and contents may not be disclosed without the prior written consent of Woodgrain Millwork, Inc.

**630 / 6630**

Draw #:	Ovolo 630_20_80
Date:	09 - 29 - 12
Drawn By:	T Doughty

woodgrain doors

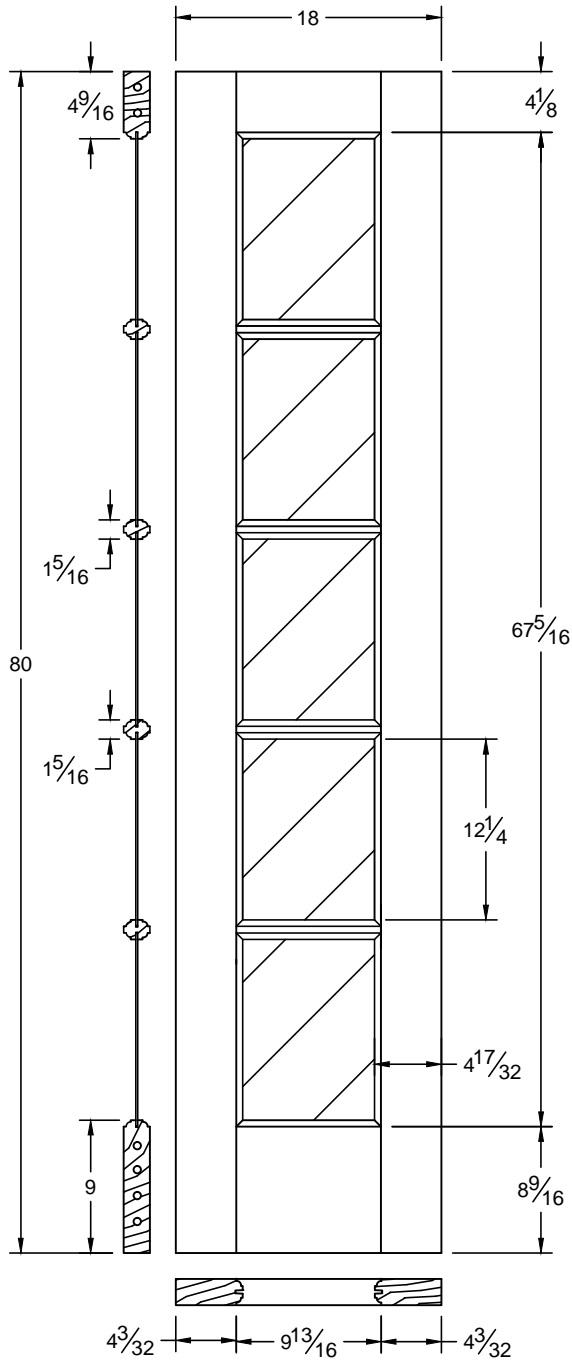


This drawing contains information which is the property of Woodgrain Millwork, Inc. This drawing is received on confidence and contents may not be disclosed without the prior written consent of Woodgrain Millwork, Inc.

630 / 6630

Draw #:	Ovolo 630_18_80
Date:	09 - 29 - 12
Drawn By:	T Doughty


  
 woodgrain doors

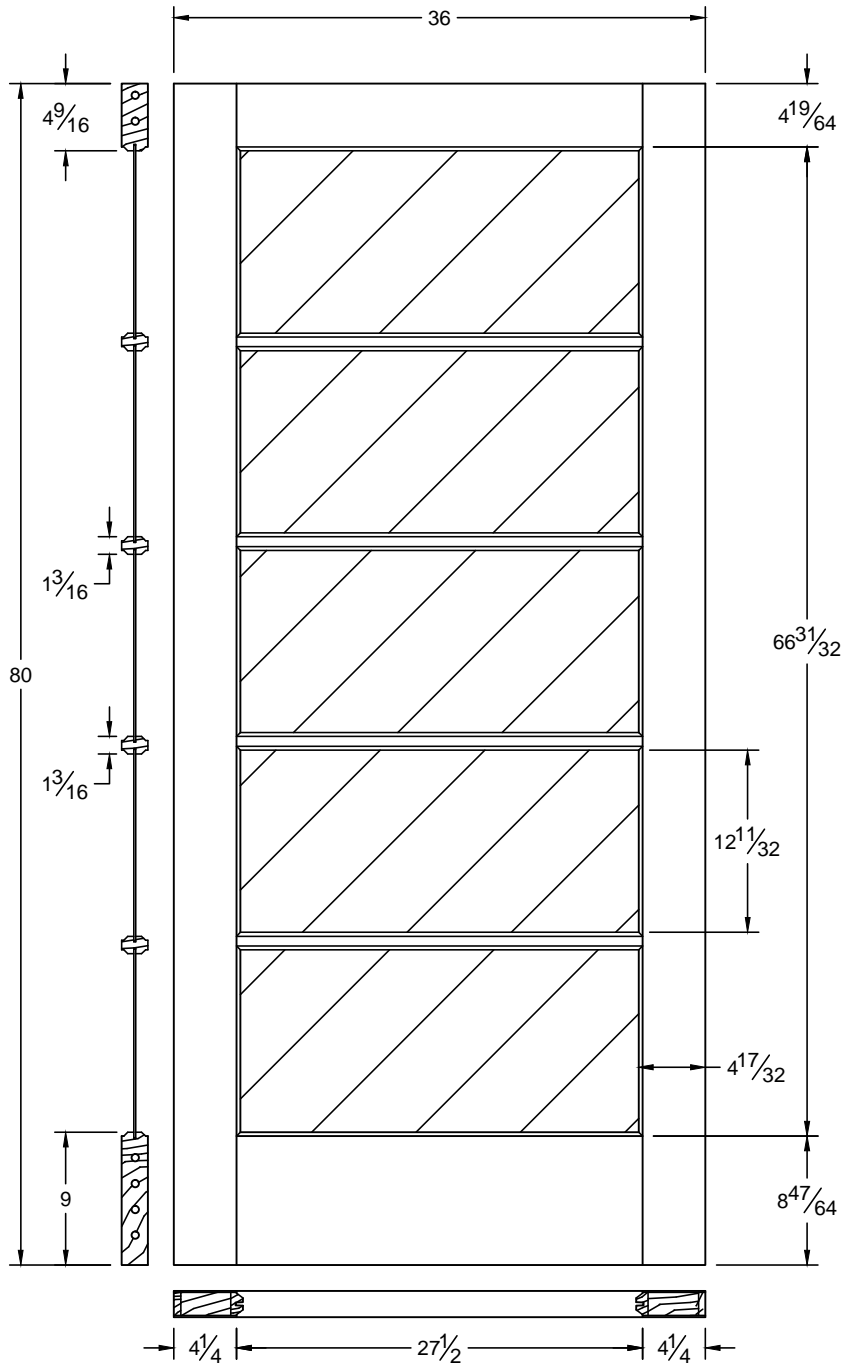


This drawing contains information which is the property of Woodgrain Millwork, Inc. This drawing is received on confidence and contents may not be disclosed without the prior written consent of Woodgrain Millwork, Inc.

**630 / 6630**

Draw #:	Ovolo 630_18_80
Date:	09 - 29 - 12
Drawn By:	T Doughty



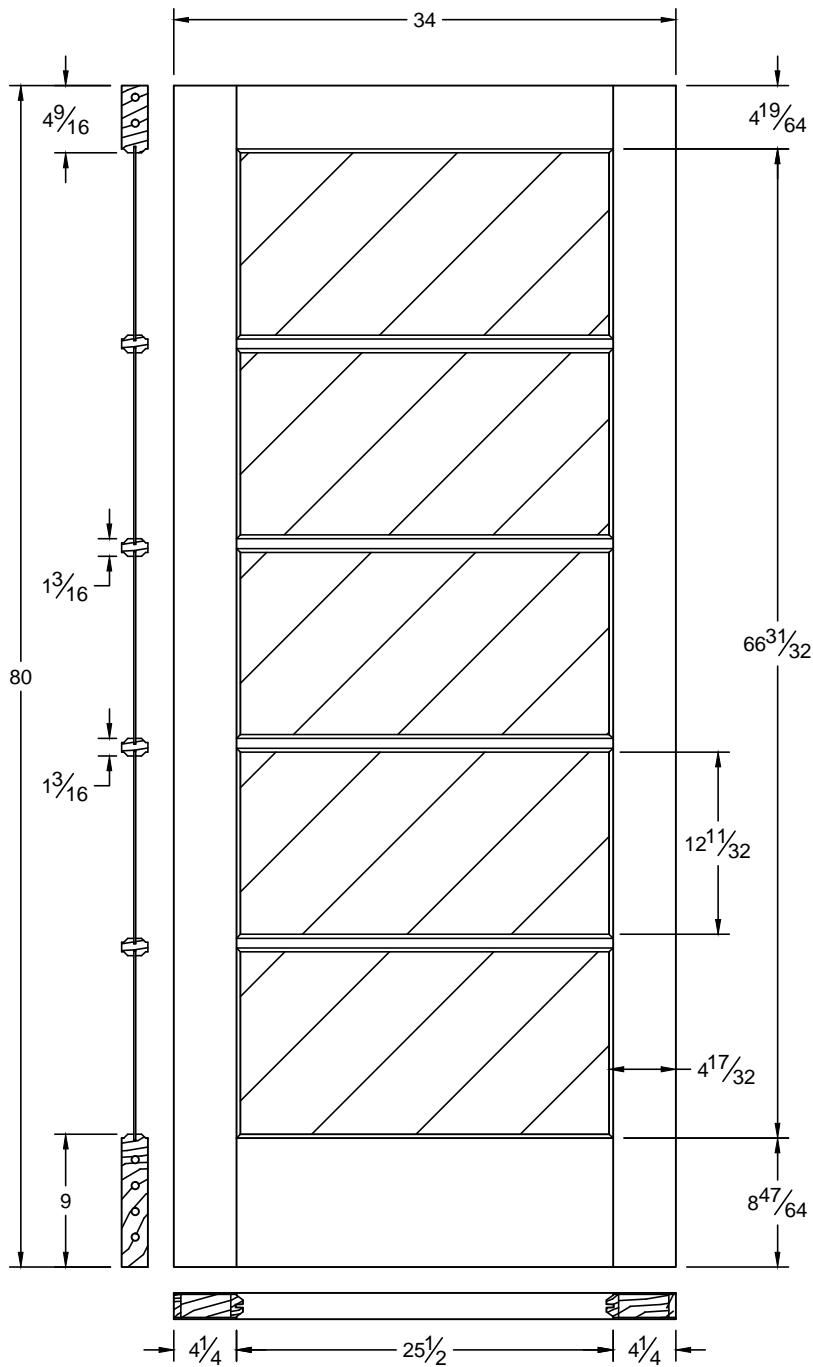


This drawing contains information which is the property of Woodgrain Millwork, Inc. This drawing is received on confidence and contents may not be disclosed without the prior written consent of Woodgrain Millwork, Inc.

630

Draw #:	Taper 630_36_80
Date:	02 - 02 - 13
Drawn By:	T Doughty

  
woodgrain doors

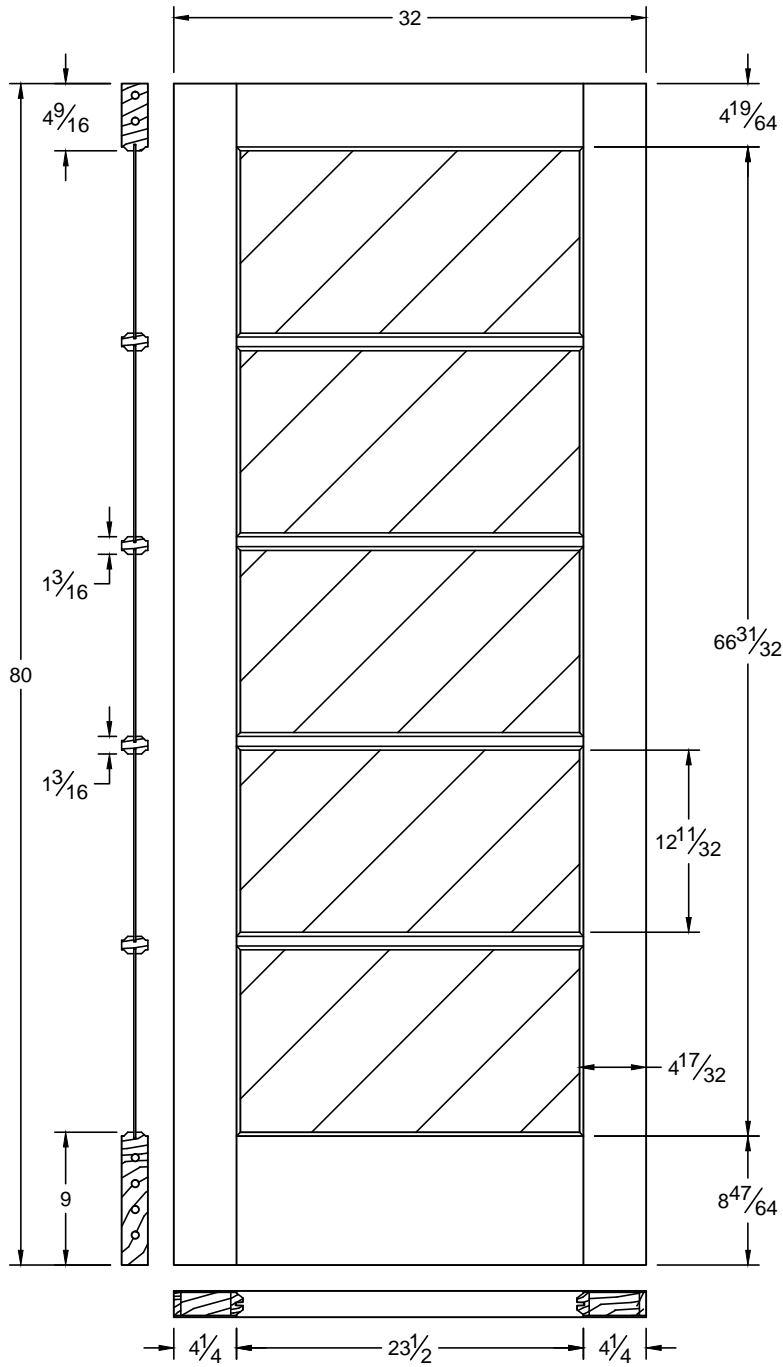


This drawing contains information which is the property of Woodgrain Millwork, Inc. This drawing is received on confidence and contents may not be disclosed without the prior written consent of Woodgrain Millwork, Inc.

630

Draw #:	Taper 630_34_80
Date:	02 - 02 - 13
Drawn By:	T Doughty

  
woodgrain doors

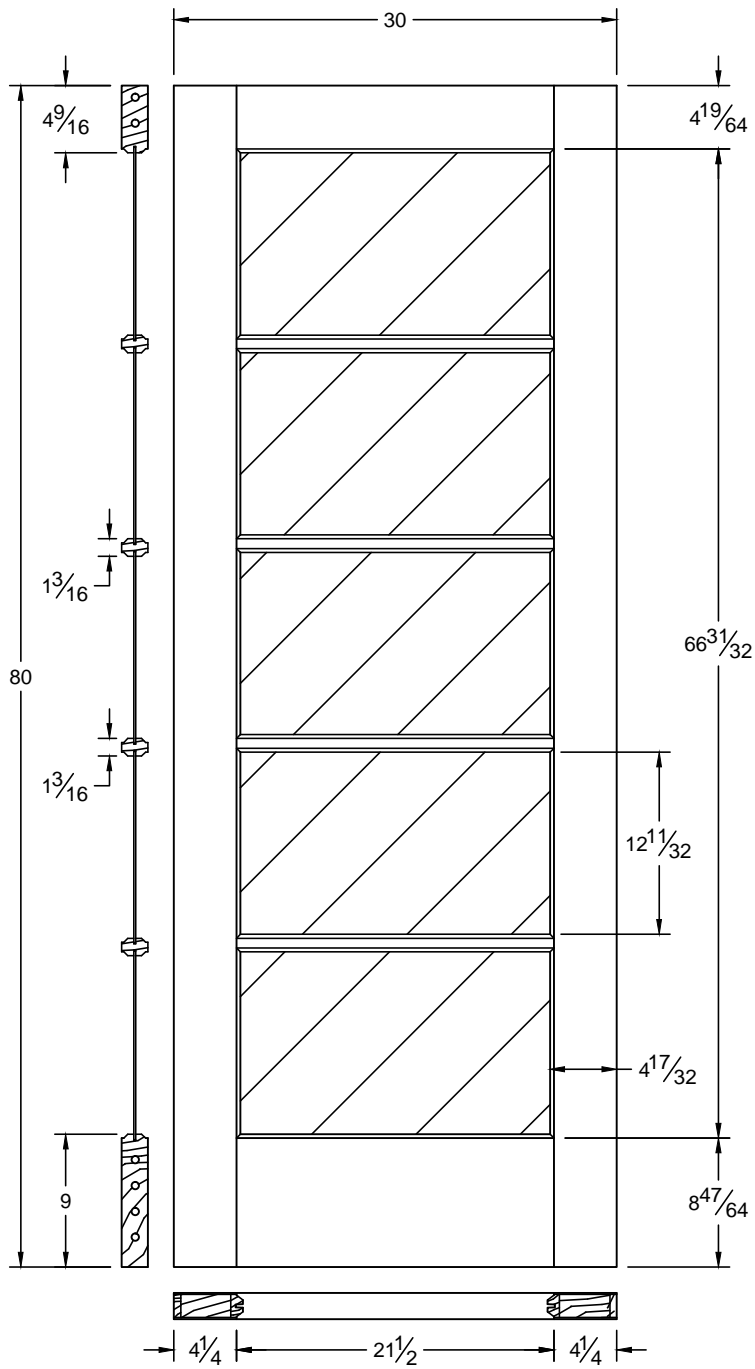


This drawing contains information which is the property of Woodgrain Millwork, Inc. This drawing is received on confidence and contents may not be disclosed without the prior written consent of Woodgrain Millwork, Inc.

630

Draw #:	Taper 630_32_80
Date:	02 - 02 - 13
Drawn By:	T Doughty

woodgrain doors

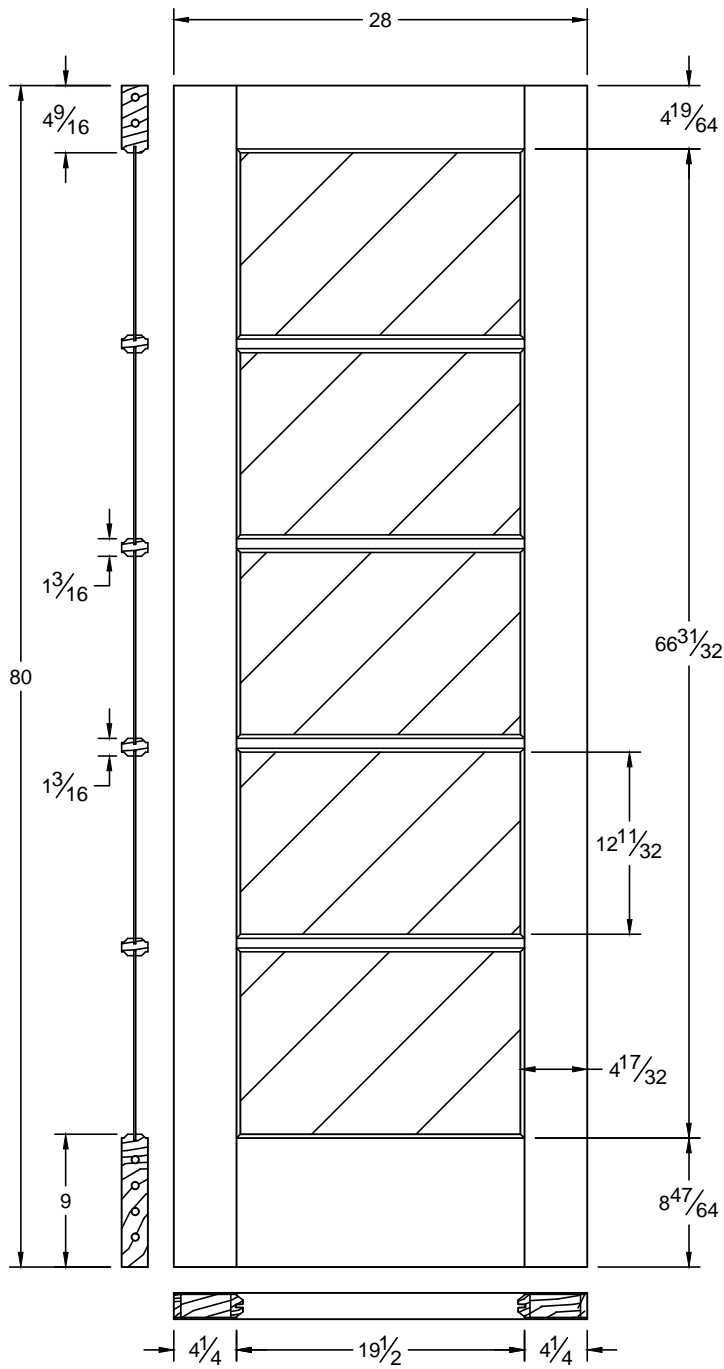


This drawing contains information which is the property of Woodgrain Millwork, Inc. This drawing is received on confidence and contents may not be disclosed without the prior written consent of Woodgrain Millwork, Inc.

630

Draw #:	Taper 630_30_80
Date:	02 - 02 - 13
Drawn By:	T Doughty

  
 woodgrain doors



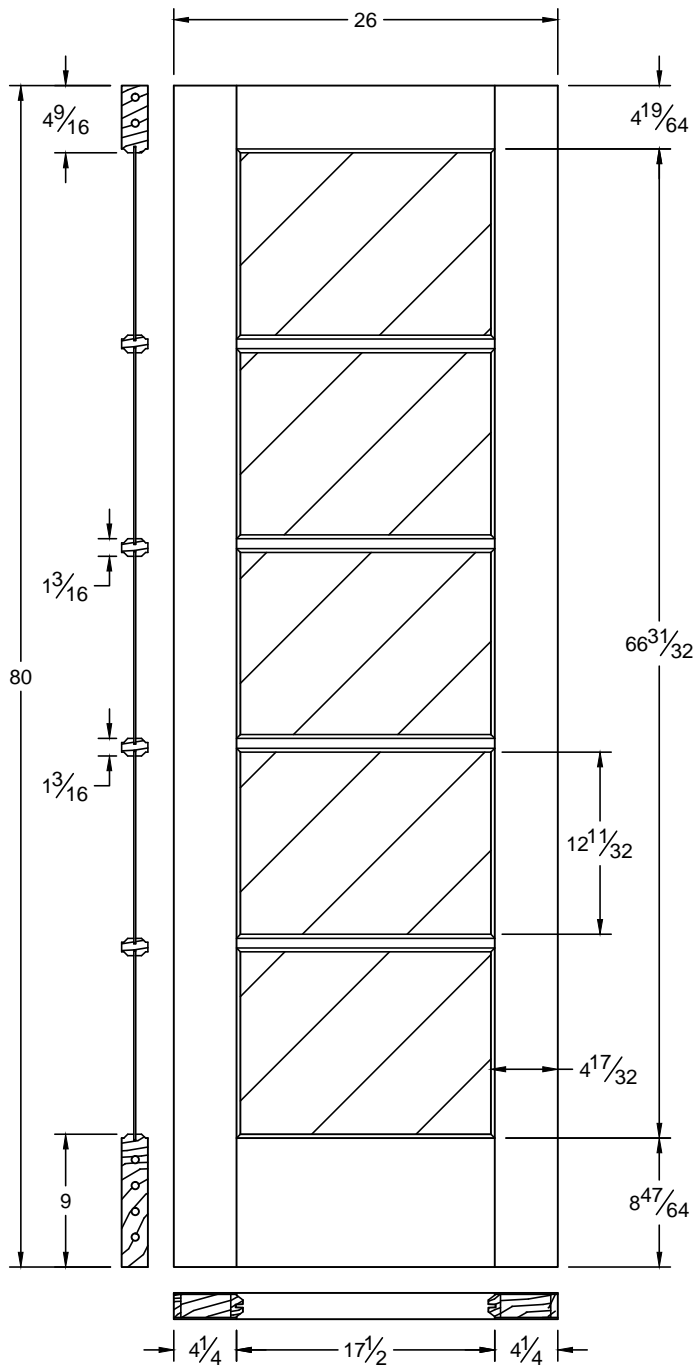
This drawing contains information which is the property of Woodgrain Millwork, Inc. This drawing is received on confidence and contents may not be disclosed without the prior written consent of Woodgrain Millwork, Inc.

630

Draw #:	Taper 630_28_80
Date:	02 - 02 - 13
Drawn By:	T Doughty

 woodgrain doors



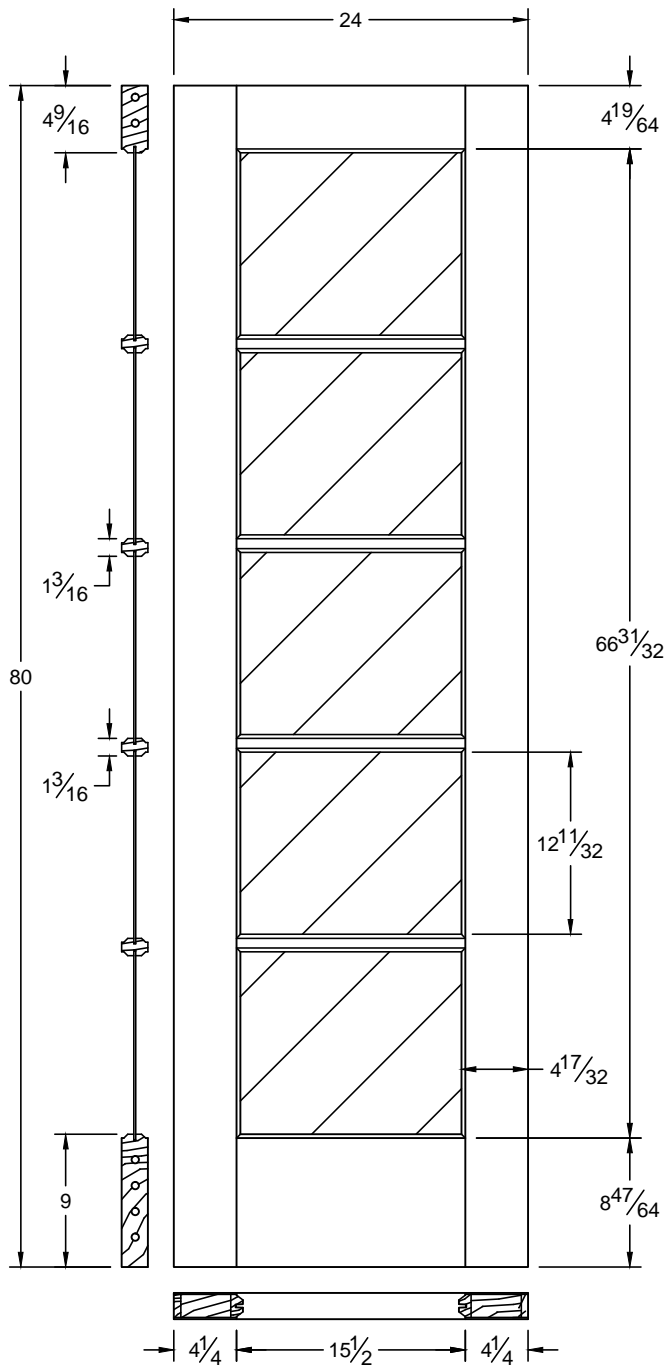


This drawing contains information which is the property of Woodgrain Millwork, Inc. This drawing is received on confidence and contents may not be disclosed without the prior written consent of Woodgrain Millwork, Inc.

630

Draw #:	Taper 630_26_80
Date:	02 - 02 - 13
Drawn By:	T Doughty

  
woodgrain doors

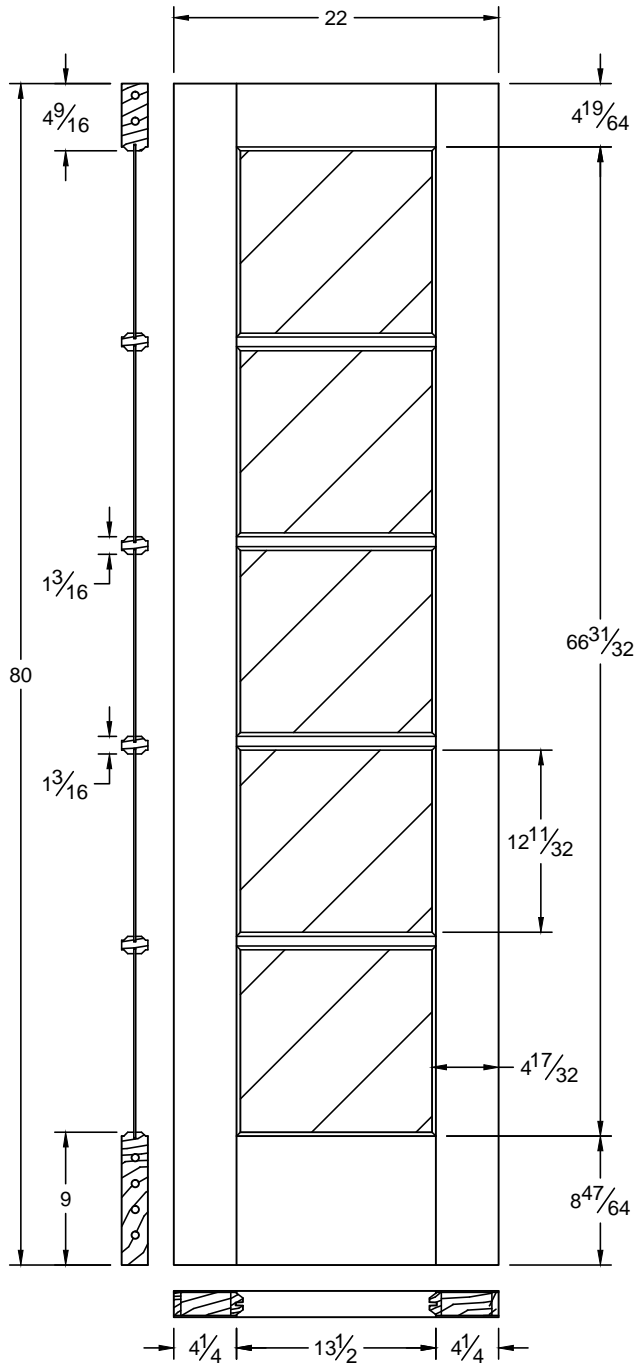


This drawing contains information which is the property of Woodgrain Millwork, Inc. This drawing is received on confidence and contents may not be disclosed without the prior written consent of Woodgrain Millwork, Inc.

630

Draw #:	Taper 630_24_80
Date:	02 - 02 - 13
Drawn By:	T Doughty

  
woodgrain doors

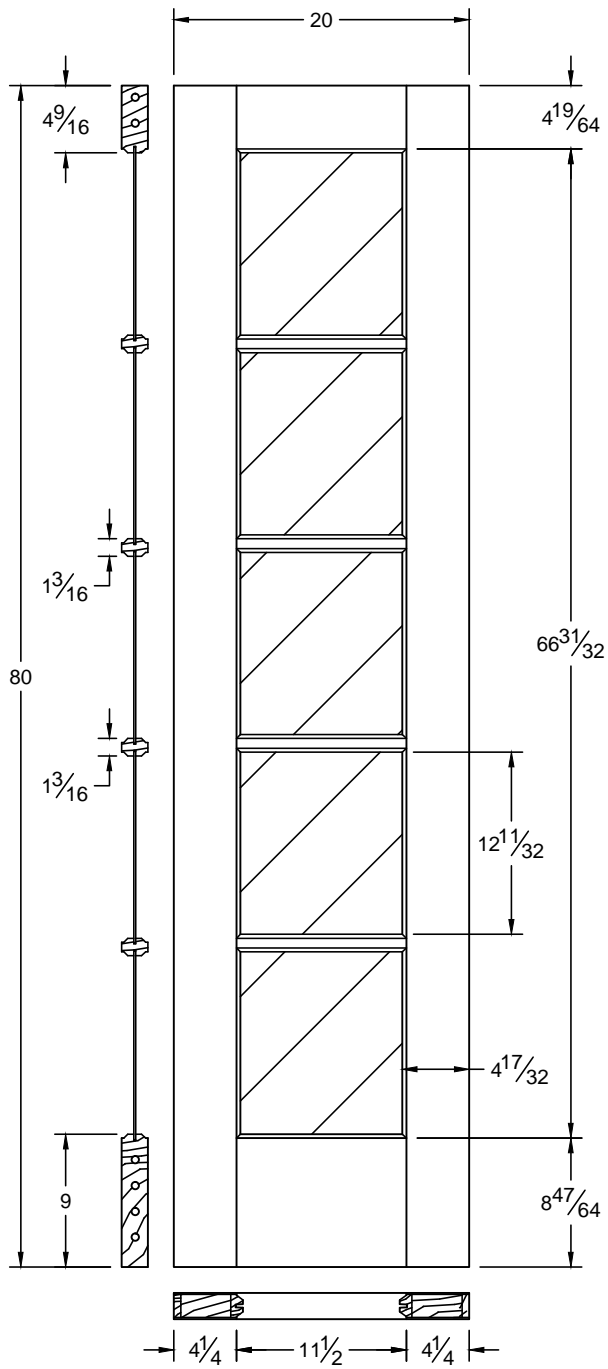


This drawing contains information which is the property of Woodgrain Millwork, Inc. This drawing is received on confidence and contents may not be disclosed without the prior written consent of Woodgrain Millwork, Inc.

630

Draw #:	Taper 630_22_80
Date:	02 - 02 - 13
Drawn By:	T Doughty

  
woodgrain doors

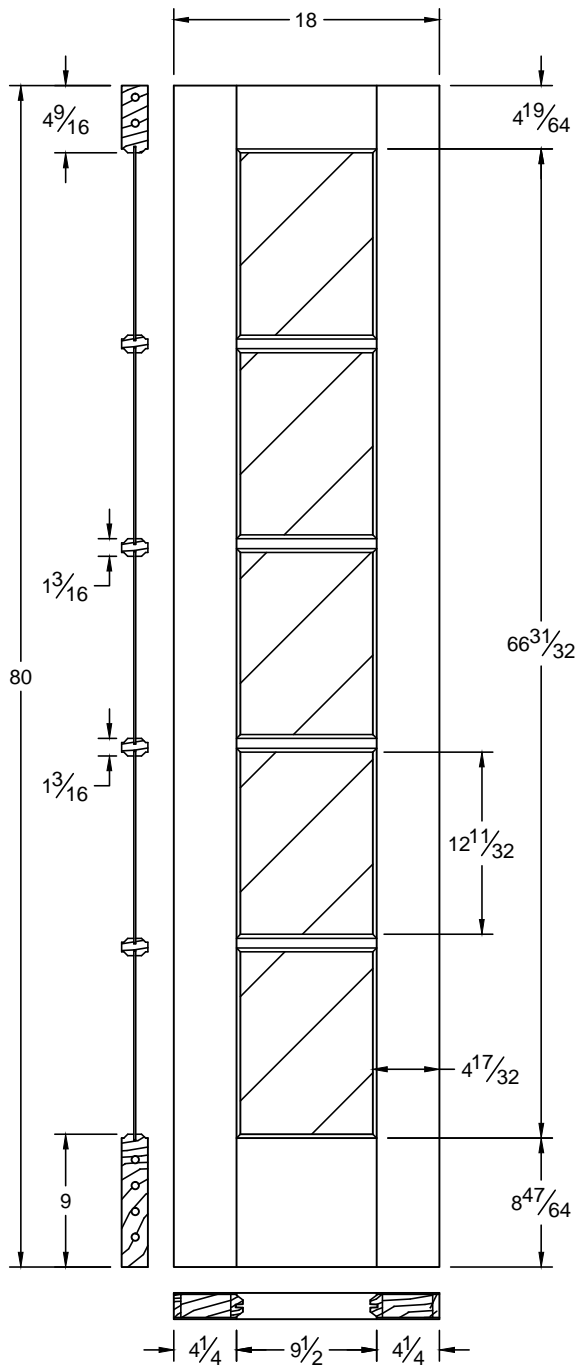


This drawing contains information which is the property of Woodgrain Millwork, Inc. This drawing is received on confidence and contents may not be disclosed without the prior written consent of Woodgrain Millwork, Inc.

630

Draw #:	Taper 630_20_80
Date:	02 - 02 - 13
Drawn By:	T Doughty

 woodgrain doors



This drawing contains information which is the property of Woodgrain Millwork, Inc. This drawing is received on confidence and contents may not be disclosed without the prior written consent of Woodgrain Millwork, Inc.

630

Draw #:	Taper 630_18_80
Date:	02 - 02 - 13
Drawn By:	T Doughty

 woodgrain doors