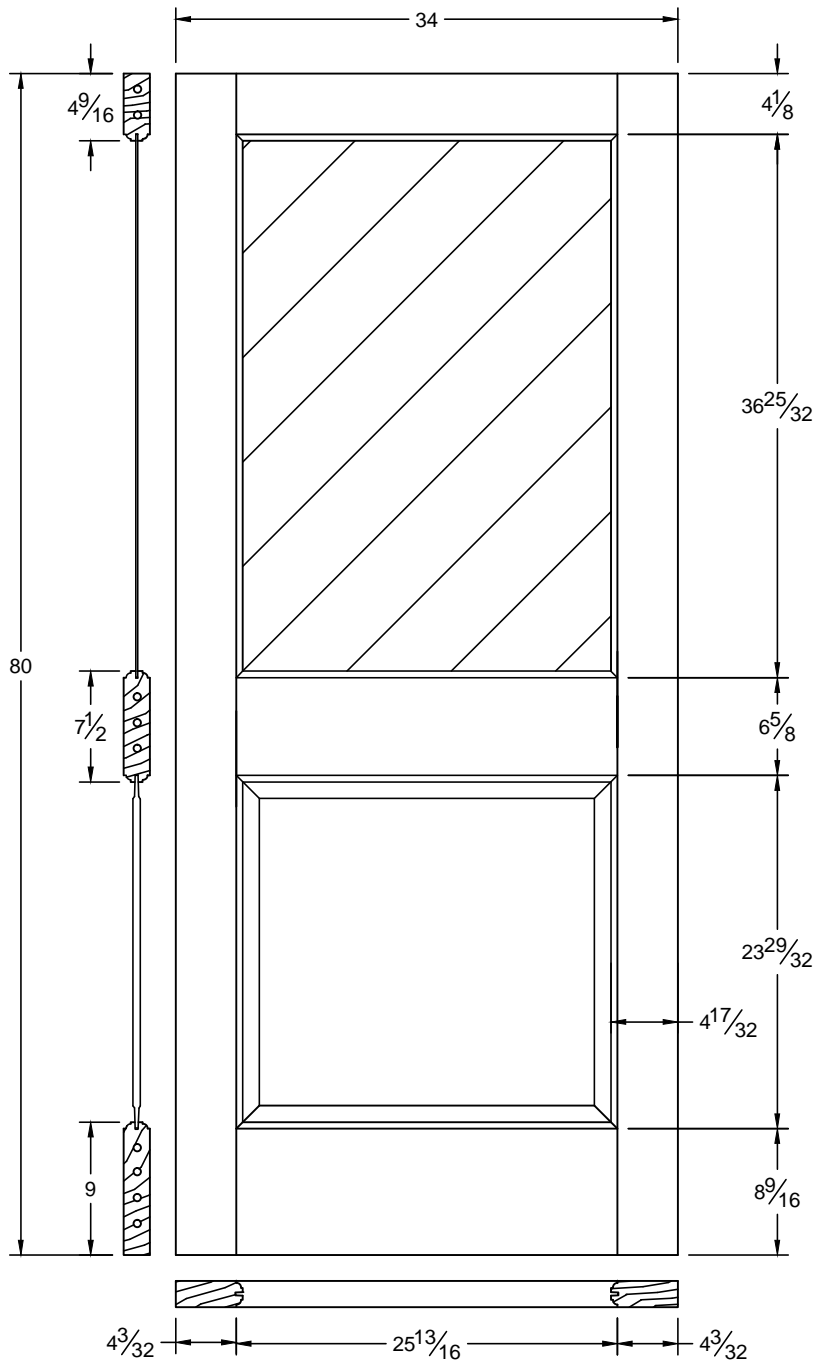


This drawing contains information which is the property of Woodgrain Millwork, Inc. This drawing is received on confidence and contents may not be disclosed without the prior written consent of Woodgrain Millwork, Inc.

551 / 6551

Draw #:	Ovolo 551_36_80
Date:	08 - 22 - 12
Drawn By:	T Doughty

woodgrain doors

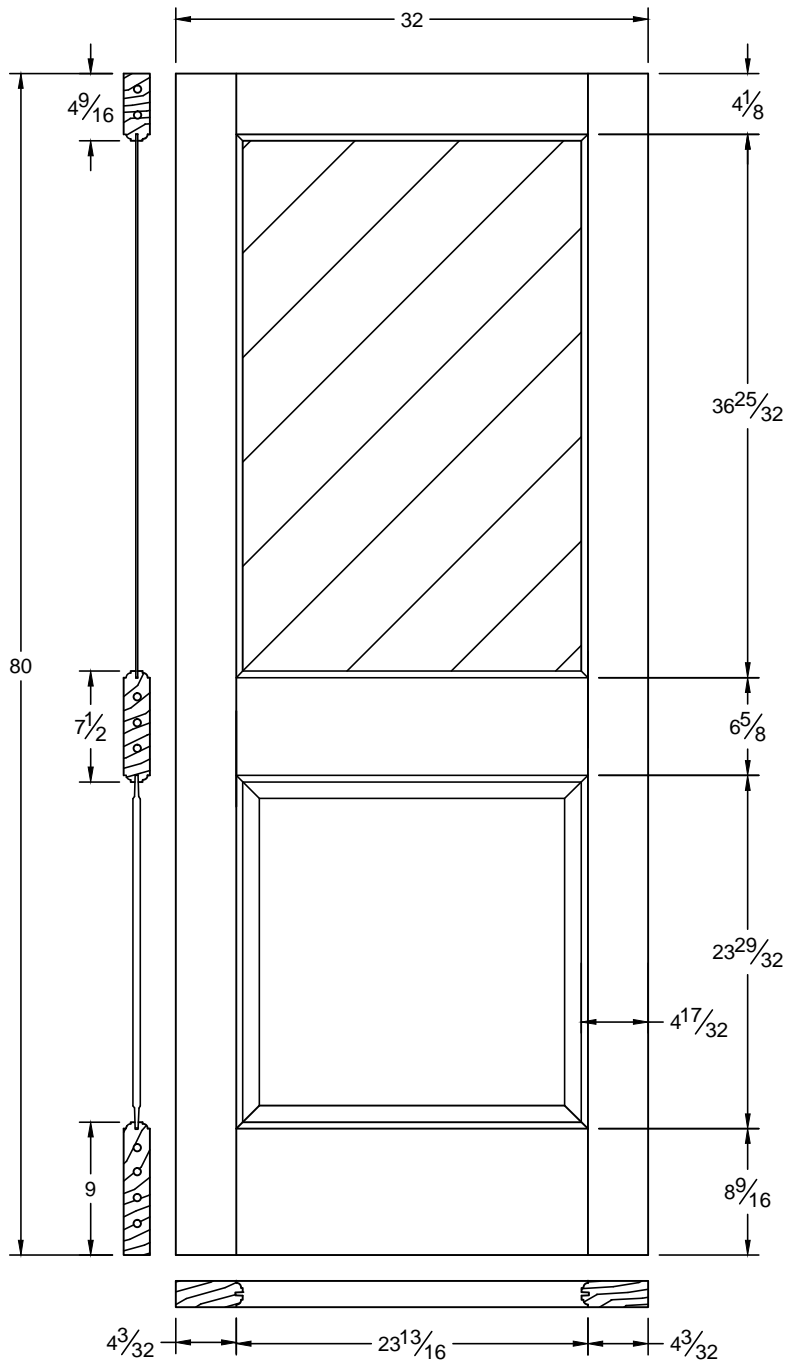


This drawing contains information which is the property of Woodgrain Millwork, Inc. This drawing is received on confidence and contents may not be disclosed without the prior written consent of Woodgrain Millwork, Inc.

551 / 6551

Draw #:	Ovolo 551_34_80
Date:	08 - 22 - 12
Drawn By:	T Doughty


woodgrain doors

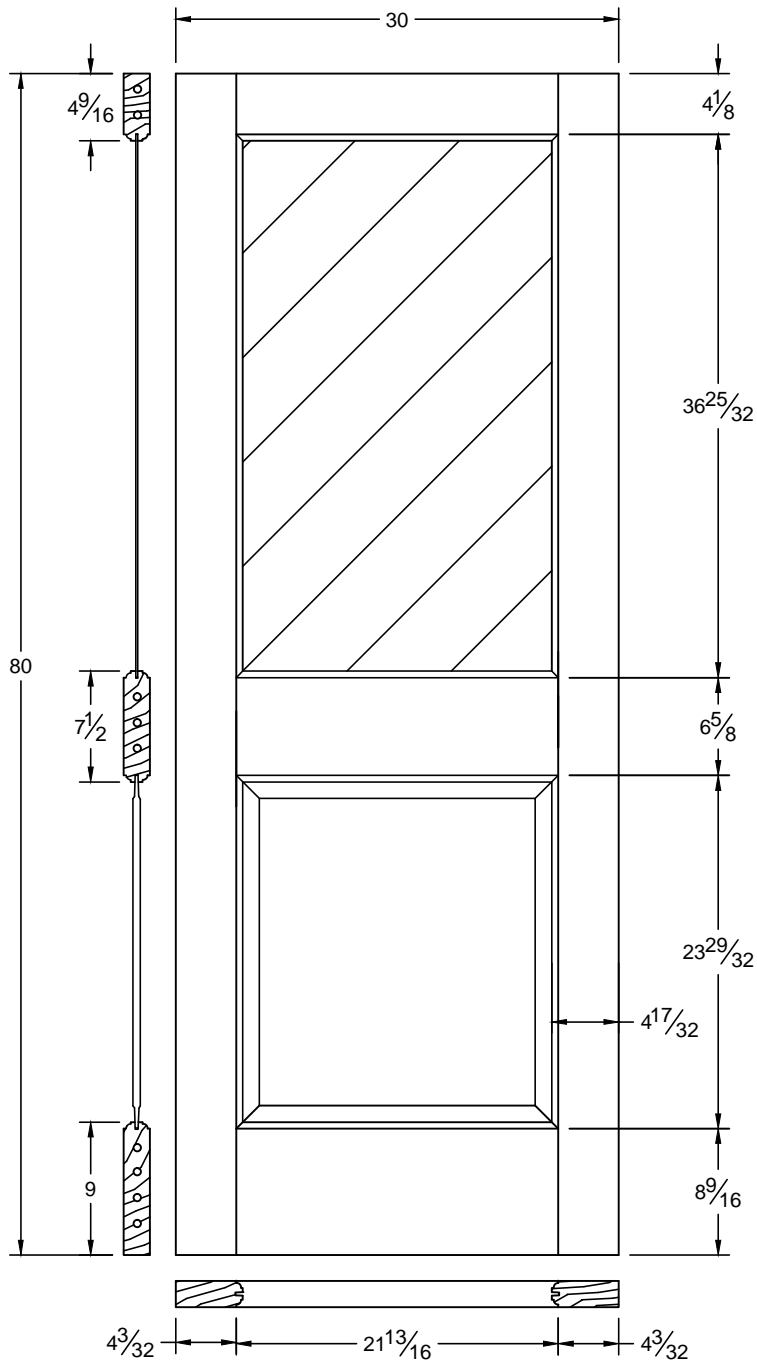


This drawing contains information which is the property of Woodgrain Millwork, Inc. This drawing is received on confidence and contents may not be disclosed without the prior written consent of Woodgrain Millwork, Inc.

551 / 6551

Draw #:	Ovolo 551_32_80
Date:	08 - 22 - 12
Drawn By:	T Doughty



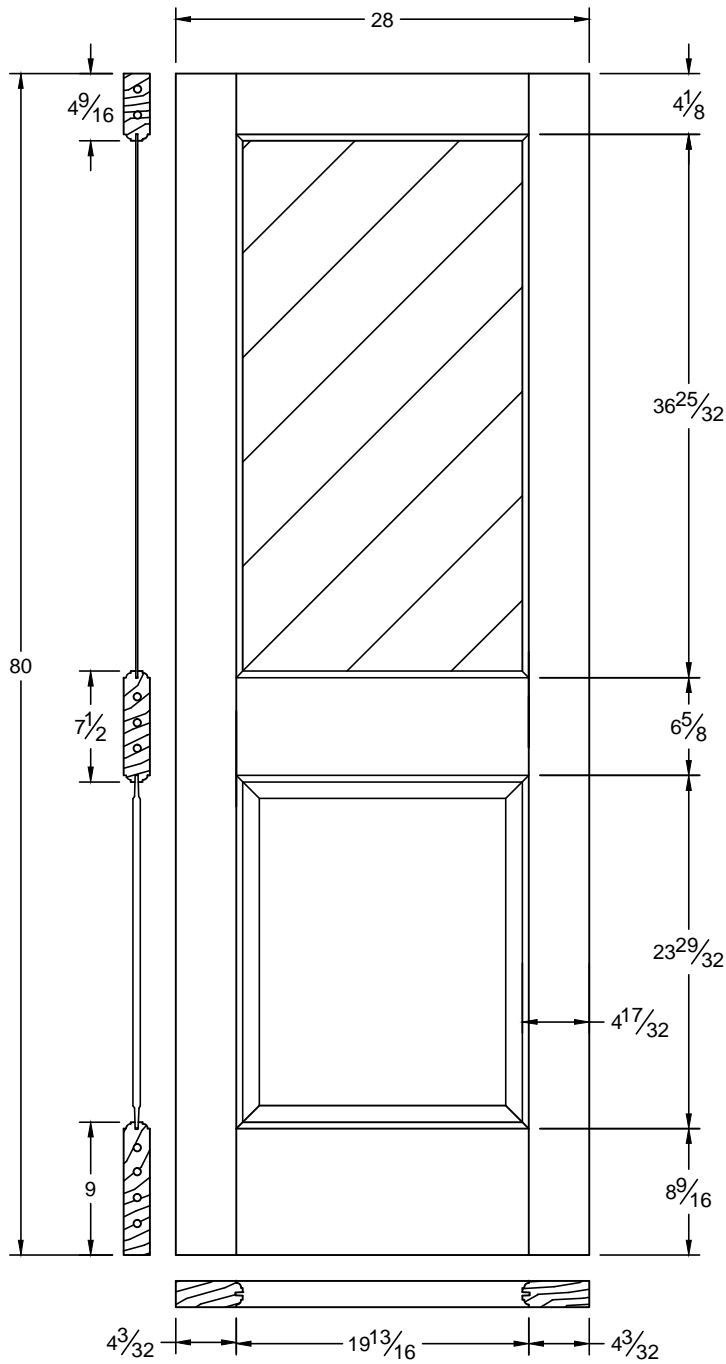


This drawing contains information which is the property of Woodgrain Millwork, Inc. This drawing is received on confidence and contents may not be disclosed without the prior written consent of Woodgrain Millwork, Inc.

551 / 6551

Draw #:	Ovolo 551_30_80
Date:	08 - 22 - 12
Drawn By:	T Doughty

 woodgrain doors

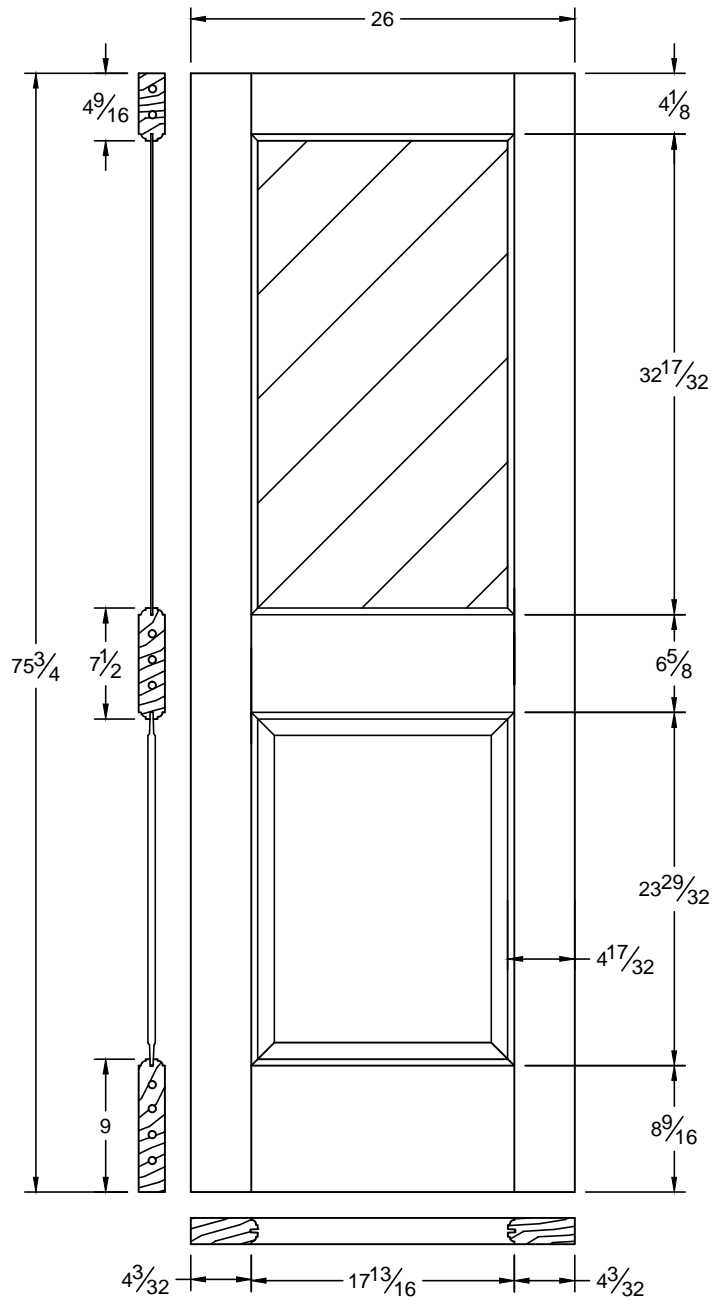


This drawing contains information which is the property of Woodgrain Millwork, Inc. This drawing is received on confidence and contents may not be disclosed without the prior written consent of Woodgrain Millwork, Inc.

551 / 6551

Draw #:	Ovolo 551_28_80
Date:	08 - 22 - 12
Drawn By:	T Doughty

 woodgrain doors

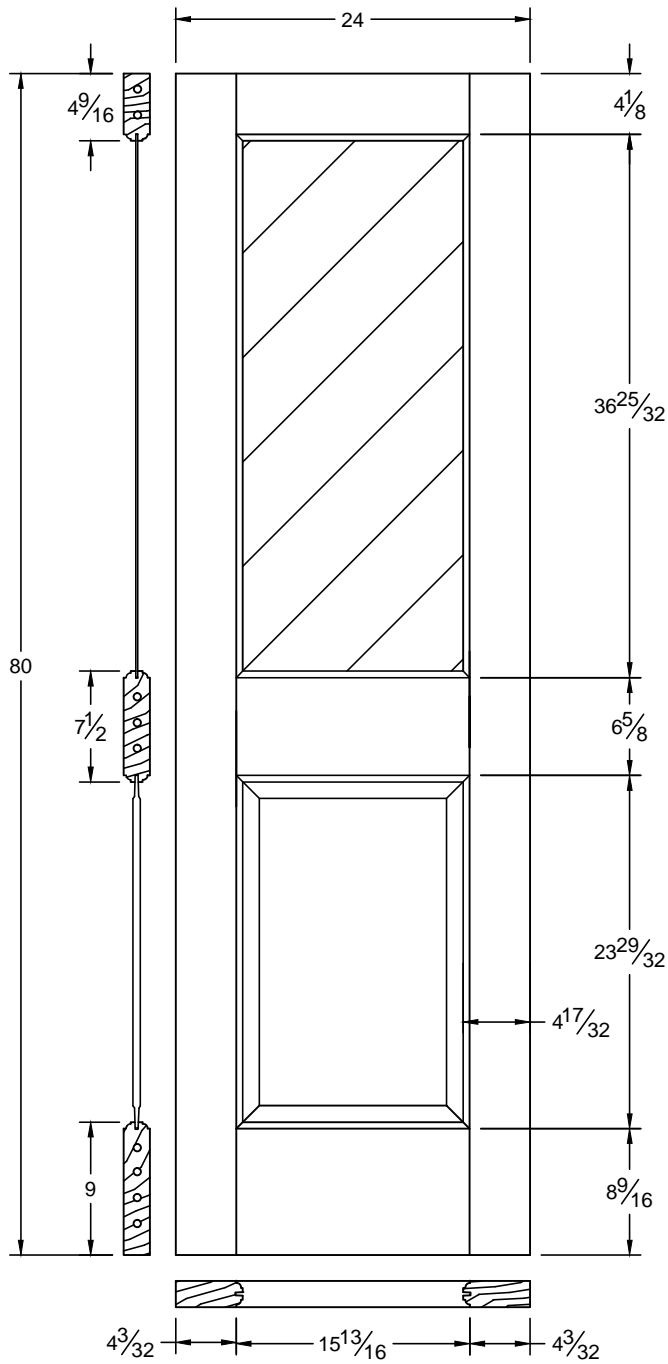


This drawing contains information which is the property of Woodgrain Millwork, Inc. This drawing is received on confidence and contents may not be disclosed without the prior written consent of Woodgrain Millwork, Inc.

551 / 6551

Draw #:	Ovolo 551_26_80
Date:	08 - 22 - 12
Drawn By:	T Doughty


woodgrain doors

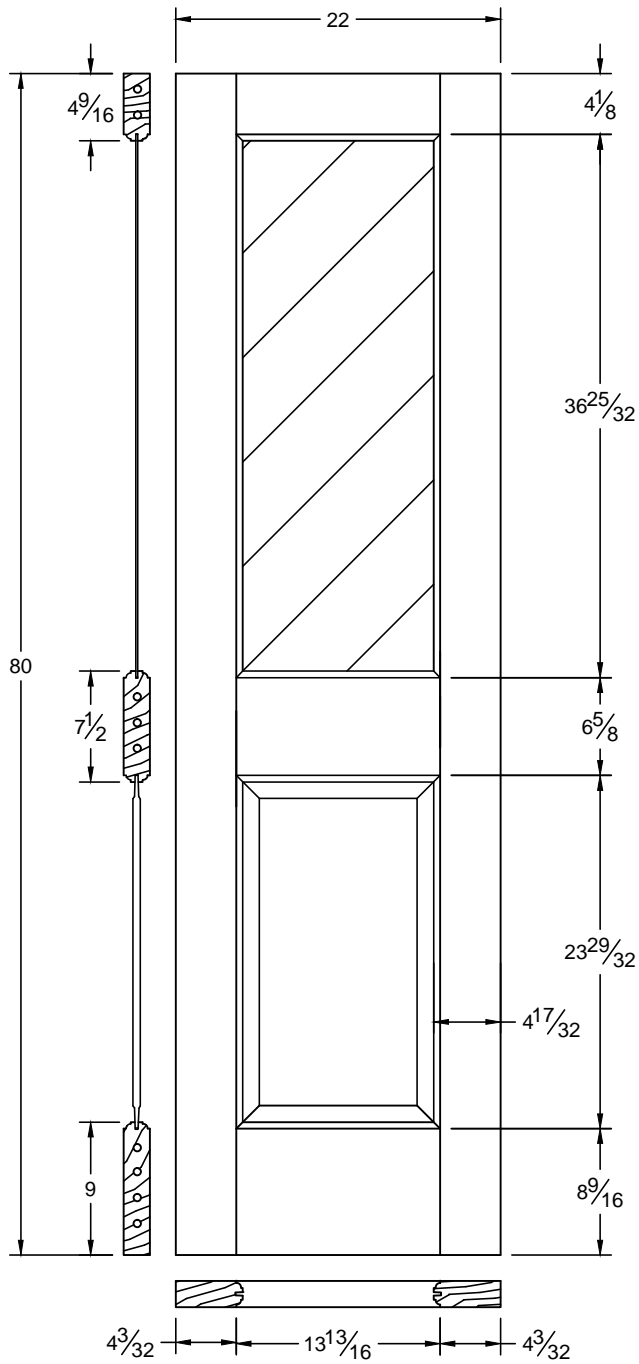


This drawing contains information which is the property of Woodgrain Millwork, Inc. This drawing is received on confidence and contents may not be disclosed without the prior written consent of Woodgrain Millwork, Inc.

551 / 6551

Draw #:	Ovolo 551_24_80
Date:	08 - 22 - 12
Drawn By:	T Doughty


woodgrain doors

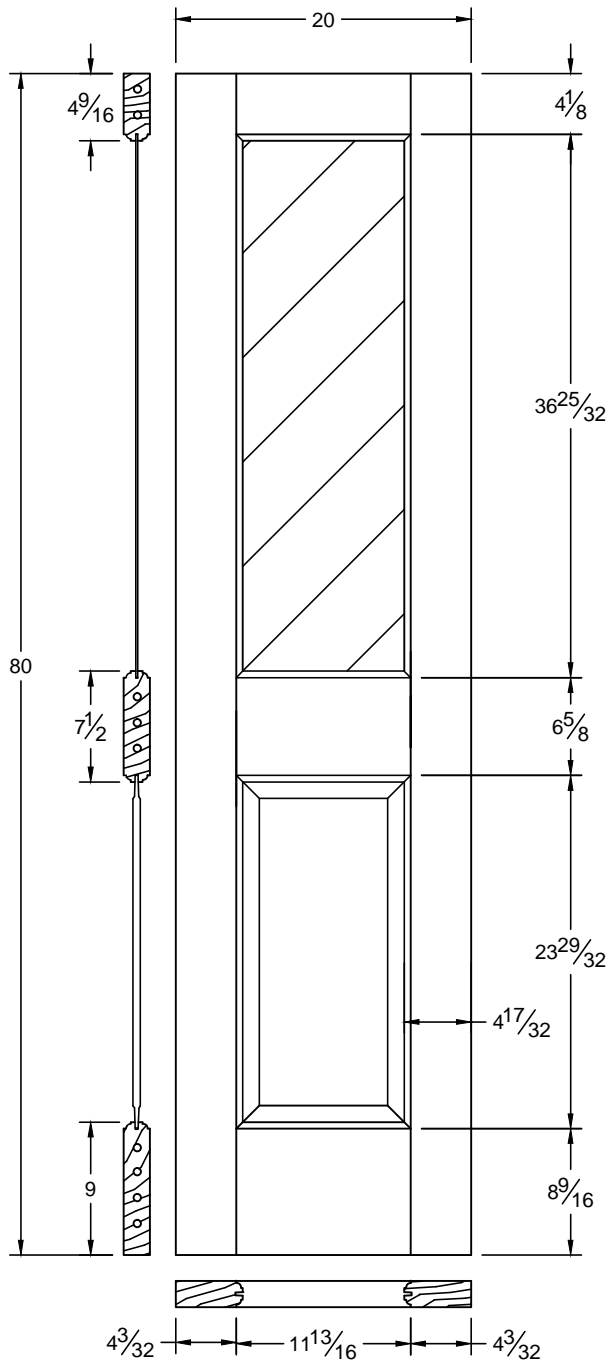


This drawing contains information which is the property of Woodgrain Millwork, Inc. This drawing is received on confidence and contents may not be disclosed without the prior written consent of Woodgrain Millwork, Inc.

551 / 6551

Draw #:	Ovolo 551_22_80
Date:	08 - 22 - 12
Drawn By:	T Doughty


woodgrain doors

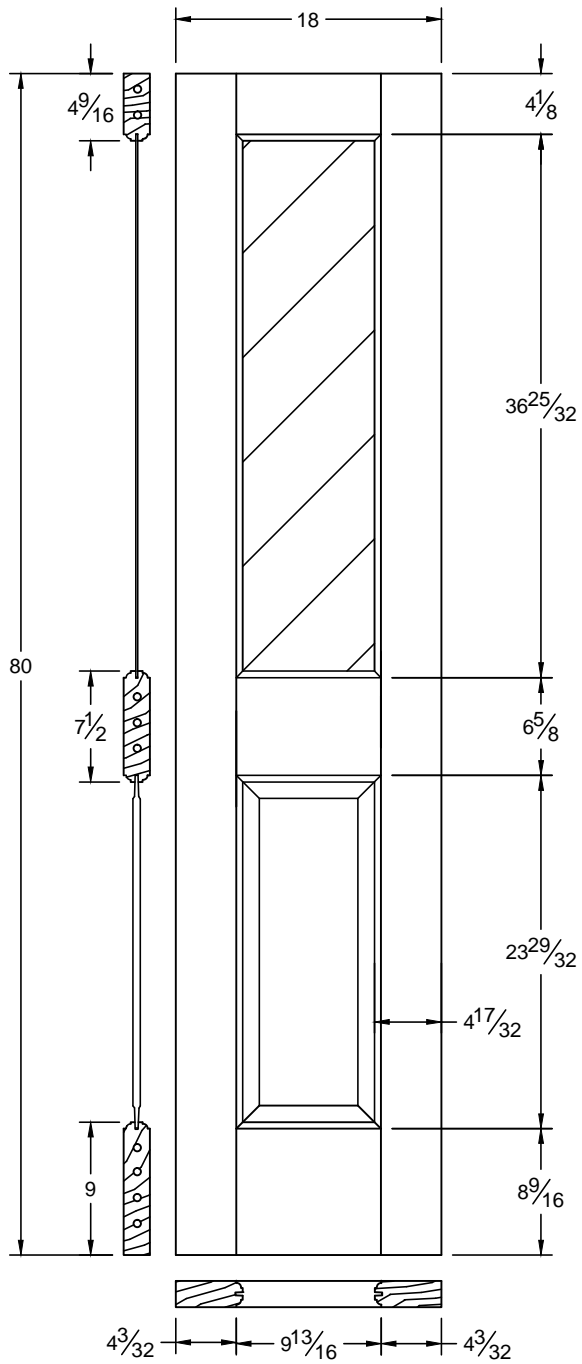


This drawing contains information which is the property of Woodgrain Millwork, Inc. This drawing is received on confidence and contents may not be disclosed without the prior written consent of Woodgrain Millwork, Inc.

551 / 6551

Draw #:	Ovolo 551_20_80
Date:	08 - 22 - 12
Drawn By:	T Doughty

 woodgrain doors

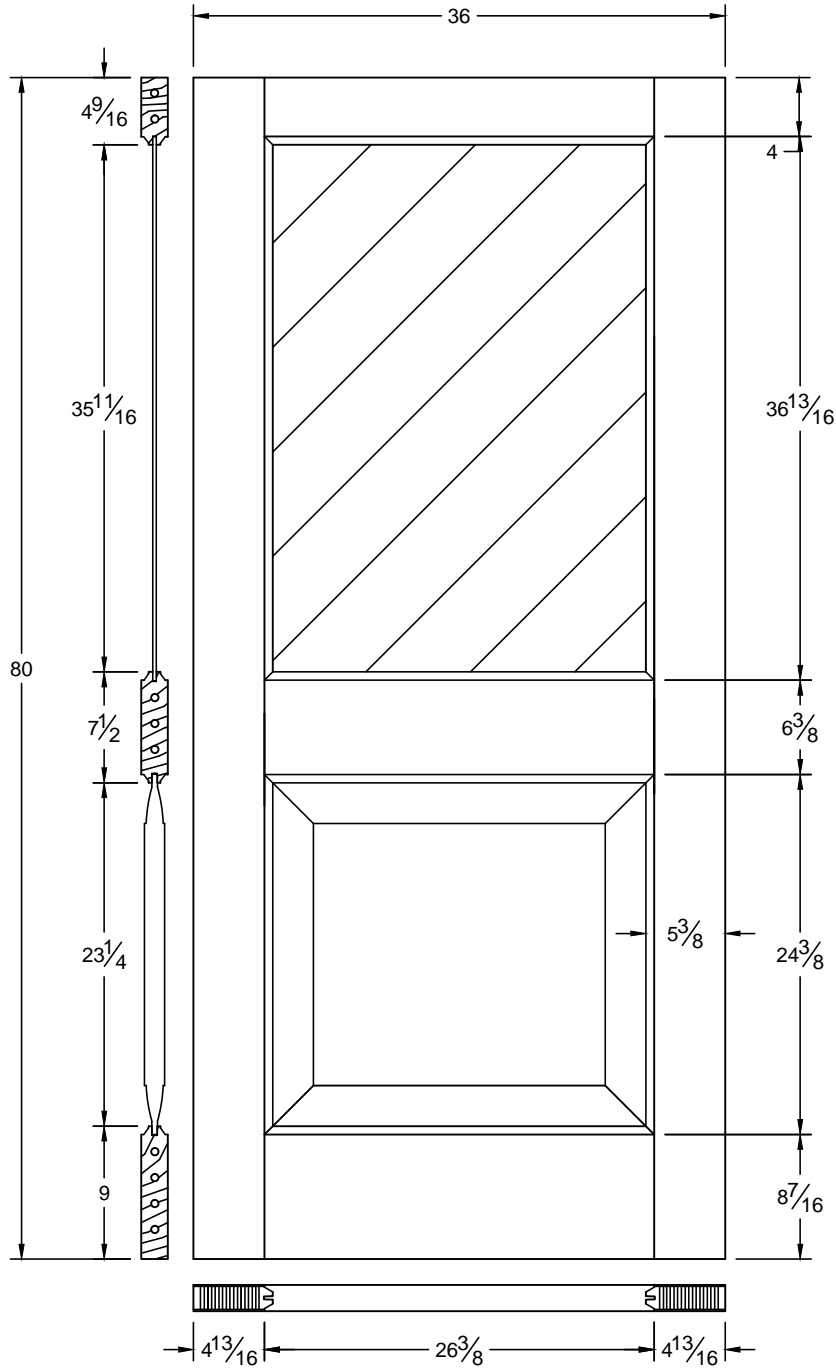


This drawing contains information which is the property of Woodgrain Millwork, Inc. This drawing is received on confidence and contents may not be disclosed without the prior written consent of Woodgrain Millwork, Inc.

551 / 6551

Draw #:	Ovolo 551_18_80
Date:	08 - 22 - 12
Drawn By:	T Doughty


woodgrain doors

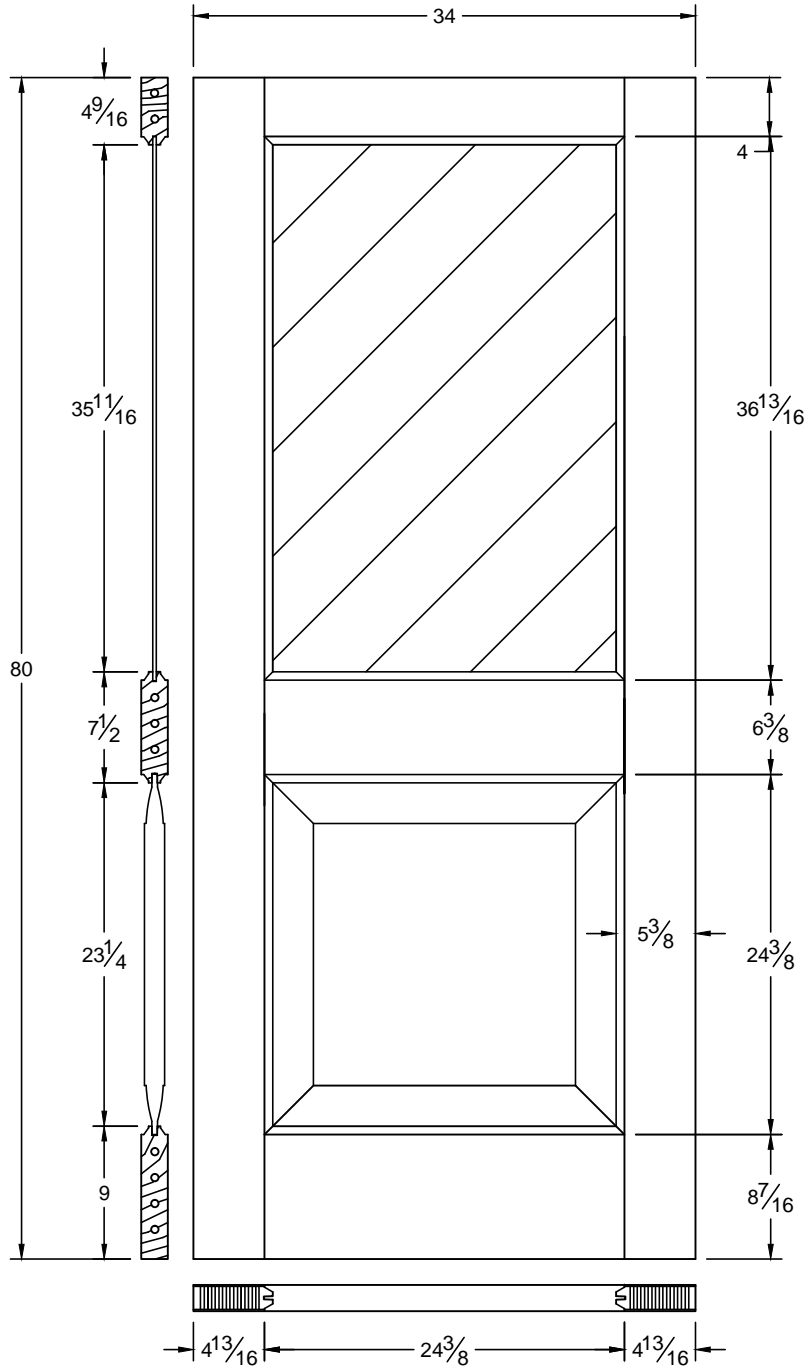


This drawing contains information which is the property of Woodgrain Millwork, Inc. This drawing is received on confidence and contents may not be disclosed without the prior written consent of Woodgrain Millwork, Inc.

551 / 6551

Draw #:	Breck 551_36_80
Date:	12 - 08 - 12
Drawn By:	T Doughty


woodgrain doors

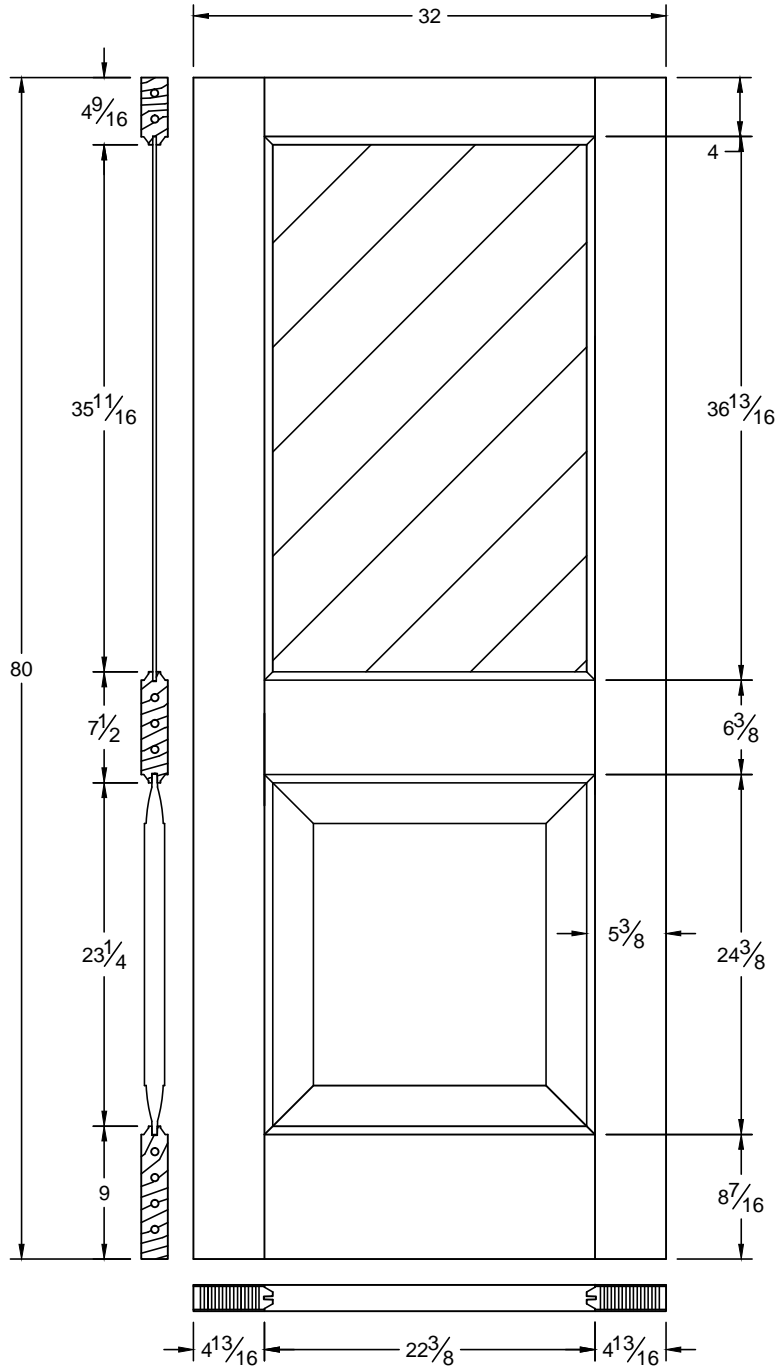


This drawing contains information which is the property of Woodgrain Millwork, Inc. This drawing is received on confidence and contents may not be disclosed without the prior written consent of Woodgrain Millwork, Inc.

551 / 6551

Draw #:	Breck 551_34_80
Date:	12 - 08 - 12
Drawn By:	T Doughty


woodgrain doors

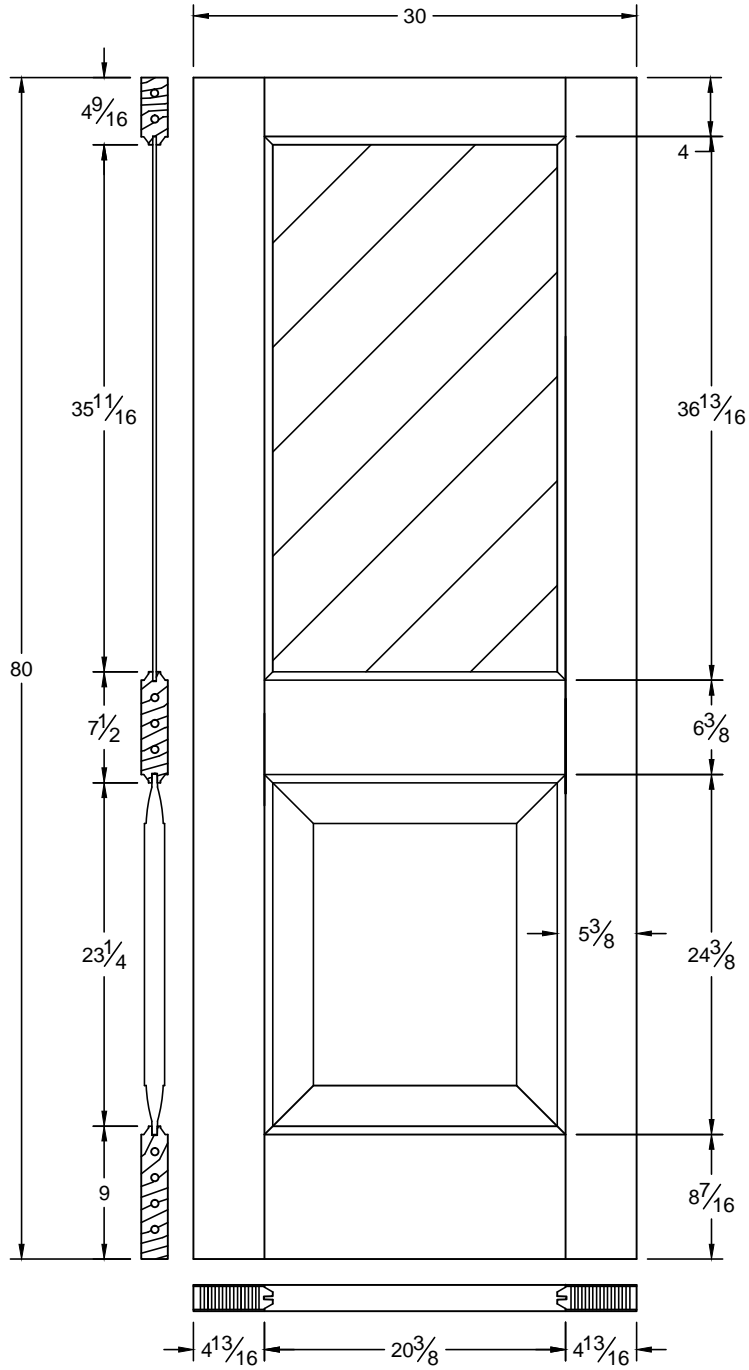


This drawing contains information which is the property of Woodgrain Millwork, Inc. This drawing is received on confidence and contents may not be disclosed without the prior written consent of Woodgrain Millwork, Inc.

551 / 6551

Draw #:	Breck 551_32_80
Date:	12 - 08 - 12
Drawn By:	T Doughty

woodgrain doors

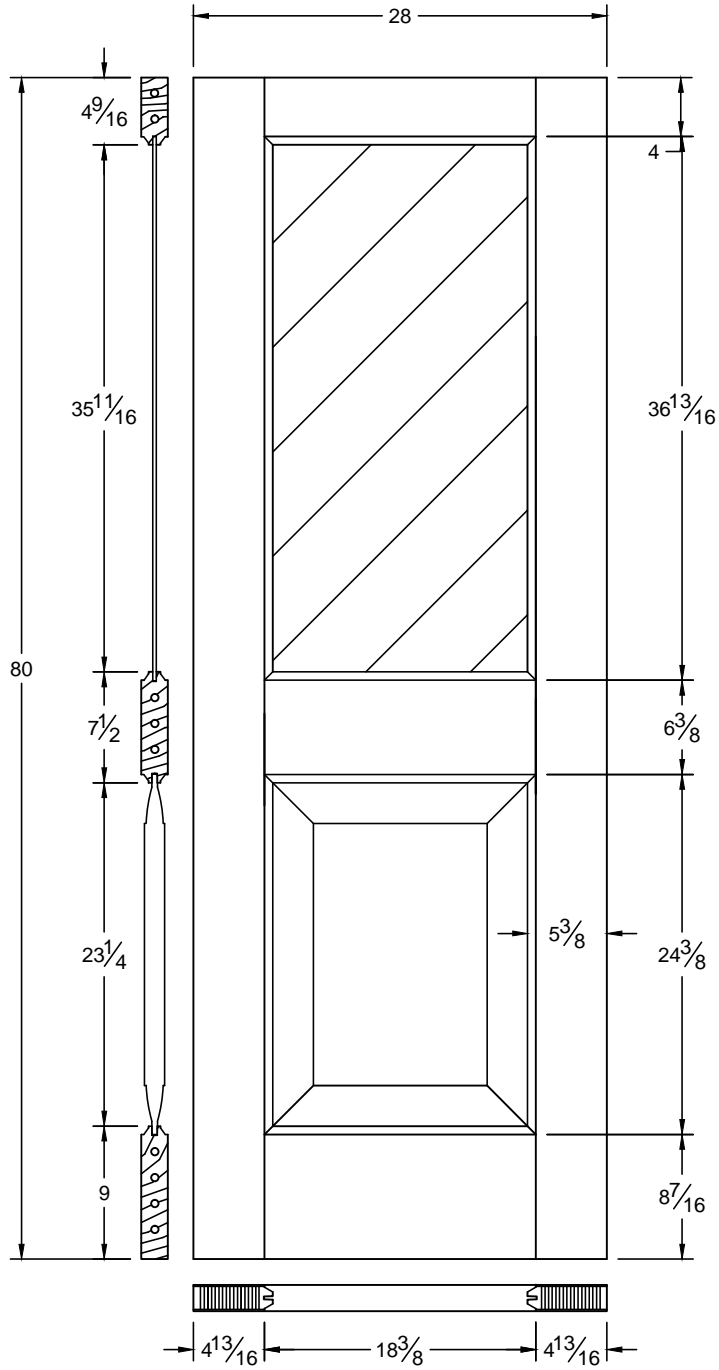


This drawing contains information which is the property of Woodgrain Millwork, Inc. This drawing is received on confidence and contents may not be disclosed without the prior written consent of Woodgrain Millwork, Inc.

551 / 6551

Draw #:	Breck 551_30_80
Date:	12 - 08 - 12
Drawn By:	T Doughty


woodgrain doors

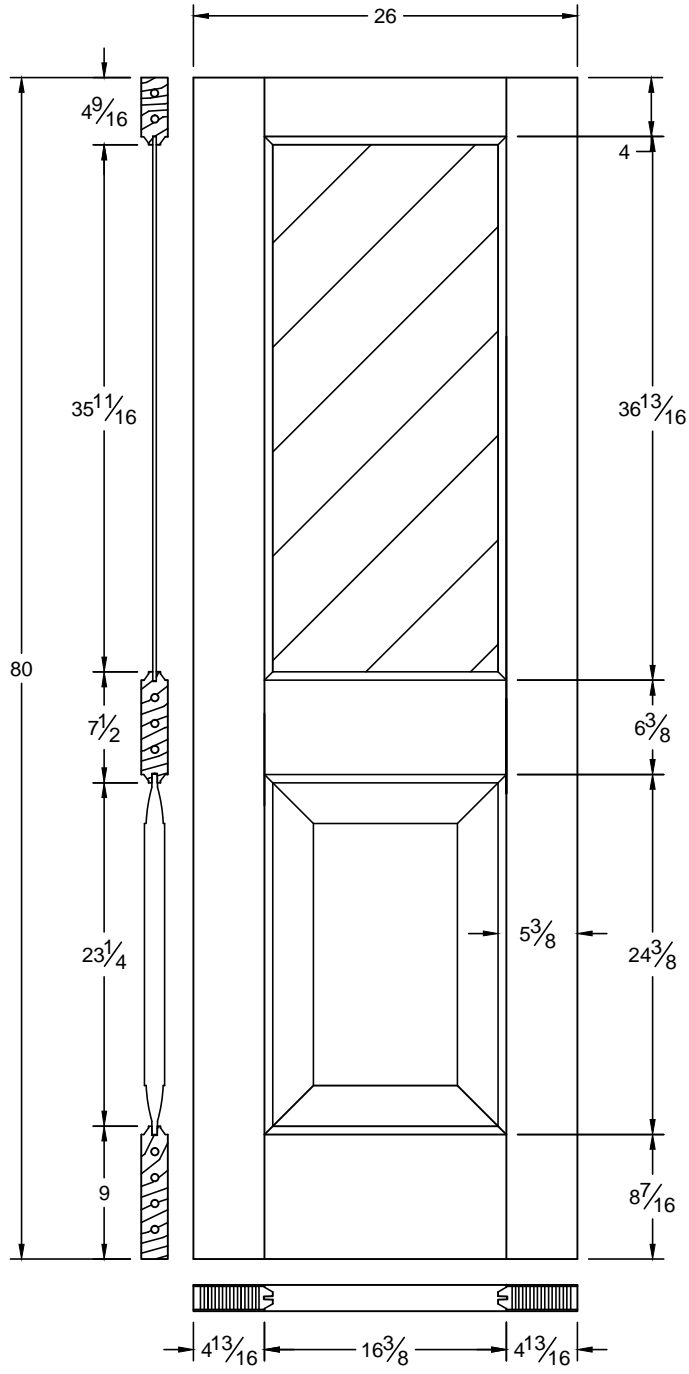


This drawing contains information which is the property of Woodgrain Millwork, Inc. This drawing is received on confidence and contents may not be disclosed without the prior written consent of Woodgrain Millwork, Inc.

551 / 6551

Draw #:	Breck 551_28_80
Date:	12 - 08 - 12
Drawn By:	T Doughty

woodgrain doors

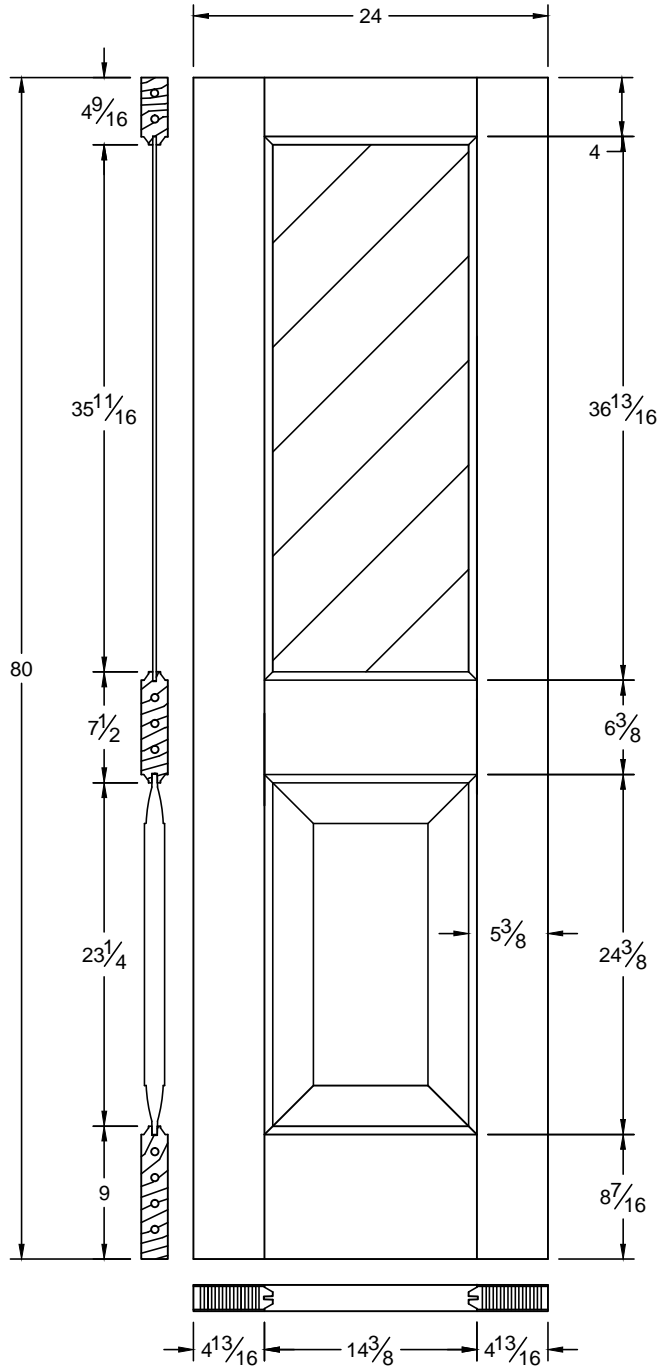


This drawing contains information which is the property of Woodgrain Millwork, Inc. This drawing is received on confidence and contents may not be disclosed without the prior written consent of Woodgrain Millwork, Inc.

551 / 6551

Draw #:	Breck 551_26_80
Date:	12 - 08 - 12
Drawn By:	T Doughty


woodgrain doors



This drawing contains information which is the property of Woodgrain Millwork, Inc. This drawing is received on confidence and contents may not be disclosed without the prior written consent of Woodgrain Millwork, Inc.

551 / 6551

Draw #:	Breck 551_24_80
Date:	12 - 08 - 12
Drawn By:	T Doughty


woodgrain doors