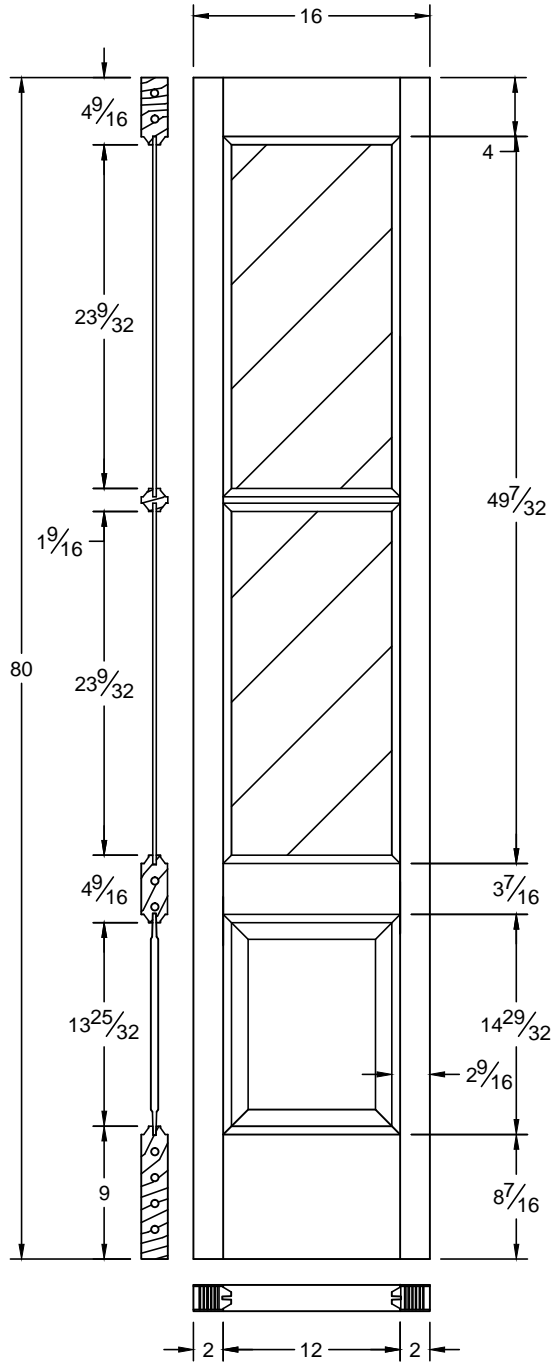


This drawing contains information which is the property of Woodgrain Millwork, Inc. This drawing is received on confidence and contents may not be disclosed without the prior written consent of Woodgrain Millwork, Inc.

**1710 / 6710**

Draw #:	Breck 1710_18_80
Date:	12 - 08 - 12
Drawn By:	T Doughty



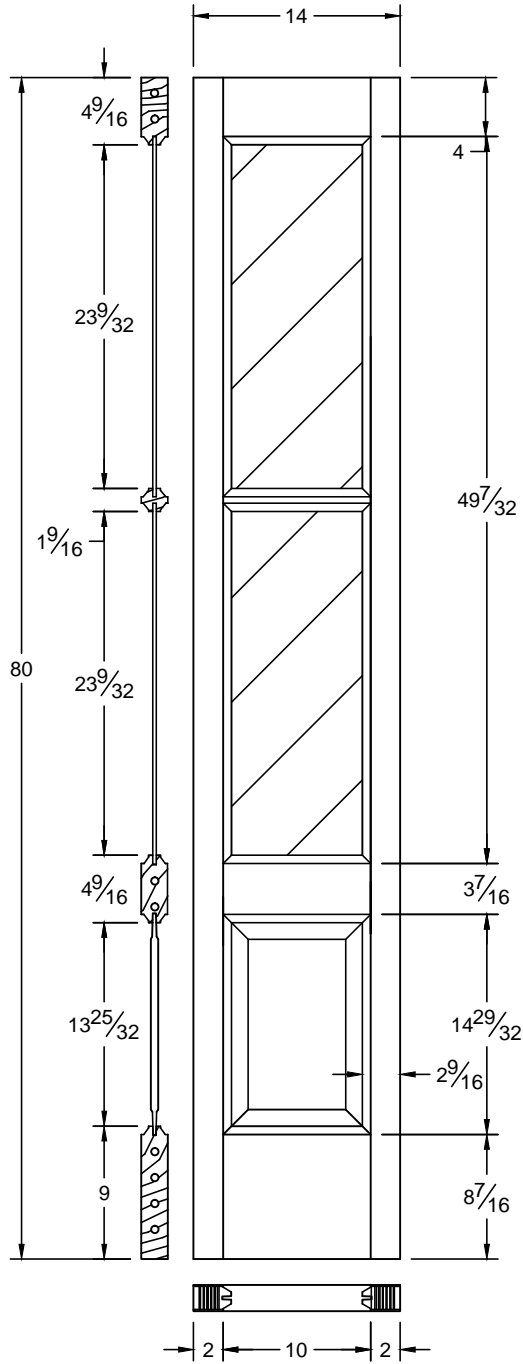


This drawing contains information which is the property of Woodgrain Millwork, Inc. This drawing is received on confidence and contents may not be disclosed without the prior written consent of Woodgrain Millwork, Inc.

**1710 / 6710**

Draw #:	Breck 1710_16_80
Date:	12 - 08 - 12
Drawn By:	T Doughty

 woodgrain doors

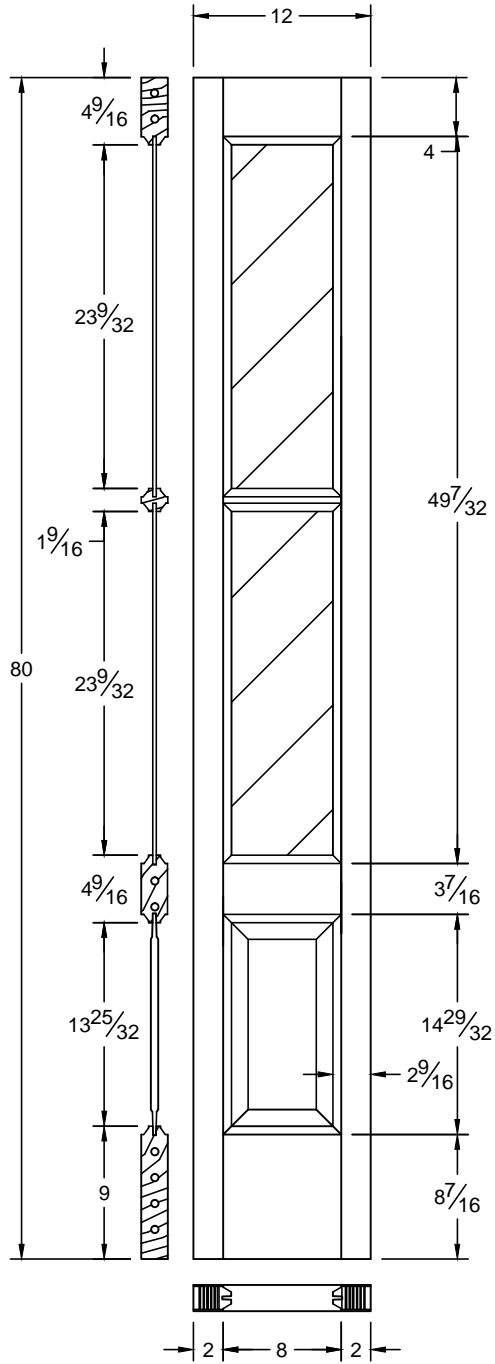


This drawing contains information which is the property of Woodgrain Millwork, Inc. This drawing is received on confidence and contents may not be disclosed without the prior written consent of Woodgrain Millwork, Inc.

1710 / 6710

Draw #:	Breck 1710_14_80
Date:	12 - 08 - 12
Drawn By:	T Doughty

 woodgrain doors

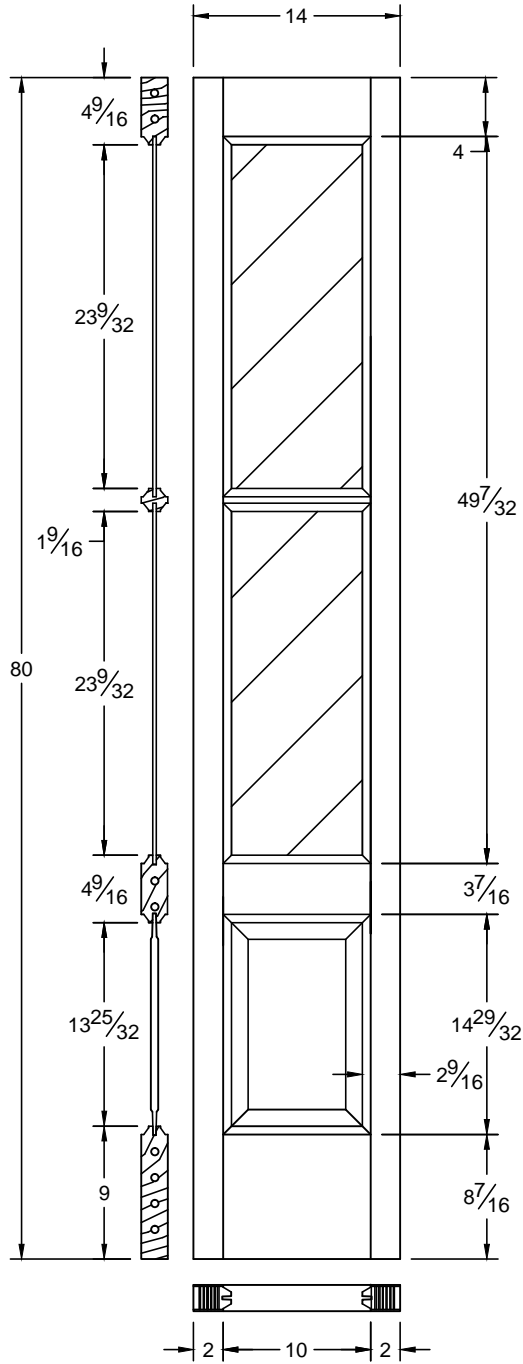


This drawing contains information which is the property of Woodgrain Millwork, Inc. This drawing is received on confidence and contents may not be disclosed without the prior written consent of Woodgrain Millwork, Inc.

**1710 / 6710**

Draw #:	Breck 1710_12_80
Date:	12 - 08 - 12
Drawn By:	T Doughty

  
woodgrain doors

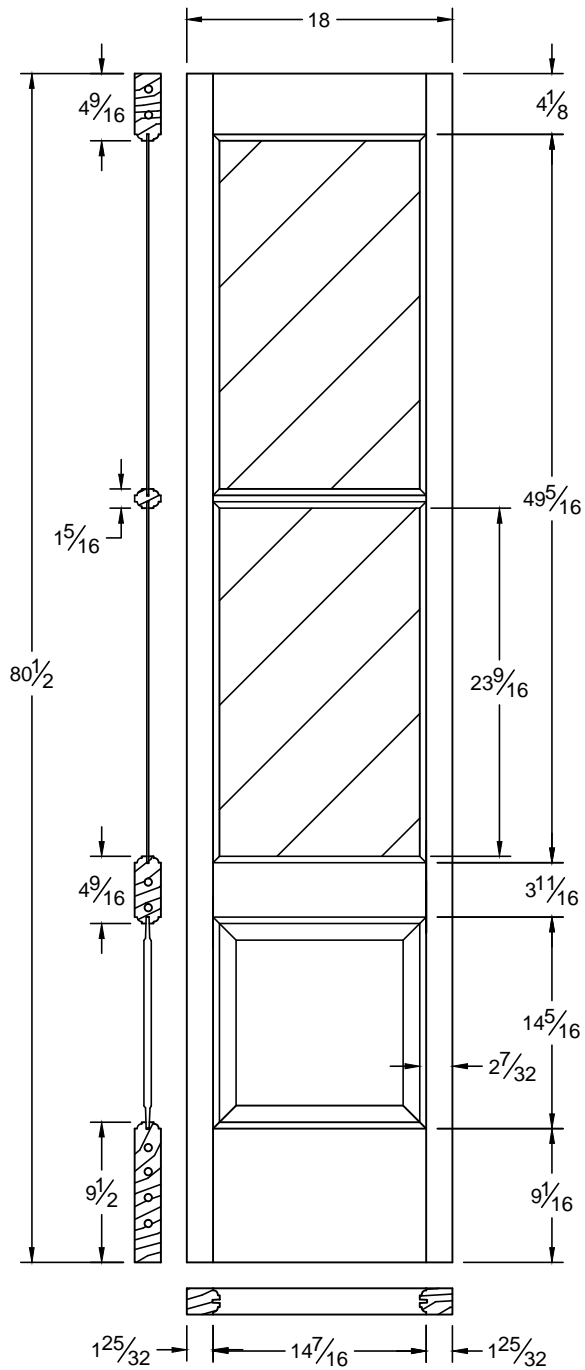


This drawing contains information which is the property of Woodgrain Millwork, Inc. This drawing is received on confidence and contents may not be disclosed without the prior written consent of Woodgrain Millwork, Inc.

1710 / 6710

Draw #:	Breck 1710_14_80
Date:	12 - 08 - 12
Drawn By:	T Doughty

 woodgrain doors

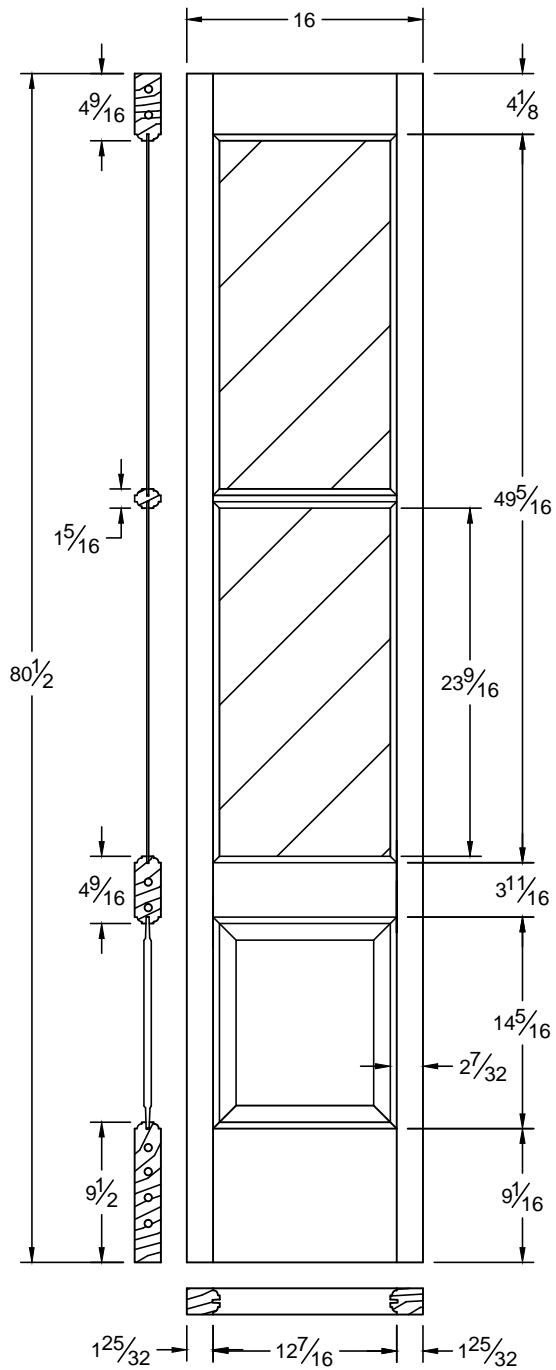


This drawing contains information which is the property of Woodgrain Millwork, Inc. This drawing is received on confidence and contents may not be disclosed without the prior written consent of Woodgrain Millwork, Inc.

**1710 / 6710**

Draw #:	Ovolo 1710_18_80
Date:	10 - 20 - 12
Drawn By:	T Doughty

 woodgrain doors

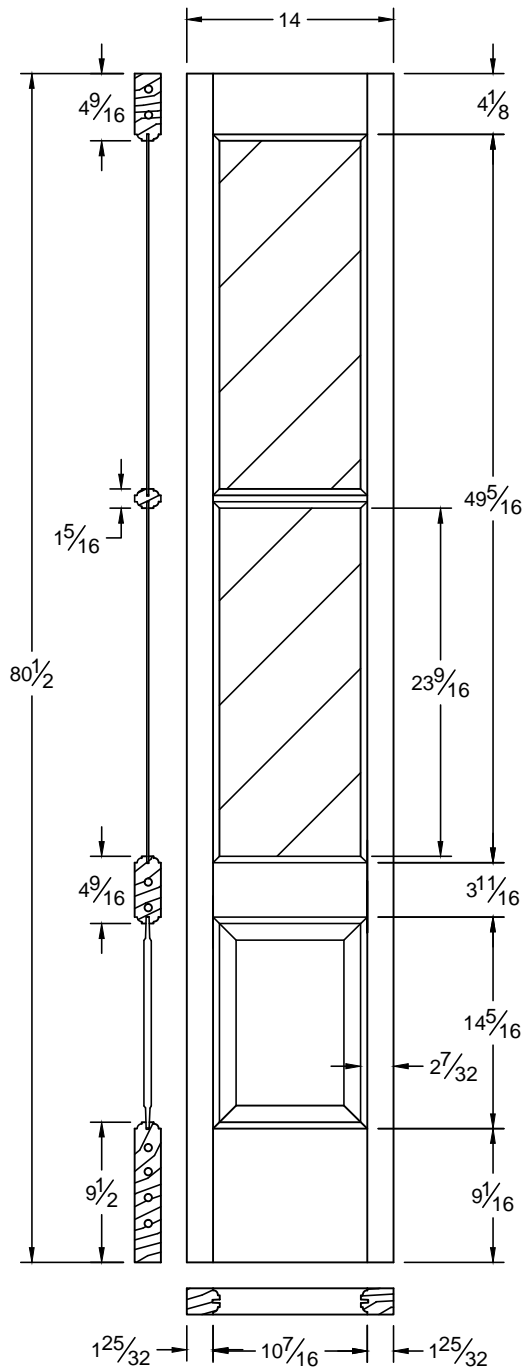


This drawing contains information which is the property of Woodgrain Millwork, Inc. This drawing is received on confidence and contents may not be disclosed without the prior written consent of Woodgrain Millwork, Inc.

**1710 / 6710**

Draw #:	Ovolo 1710_16_80
Date:	10 - 20 - 12
Drawn By:	T Doughty





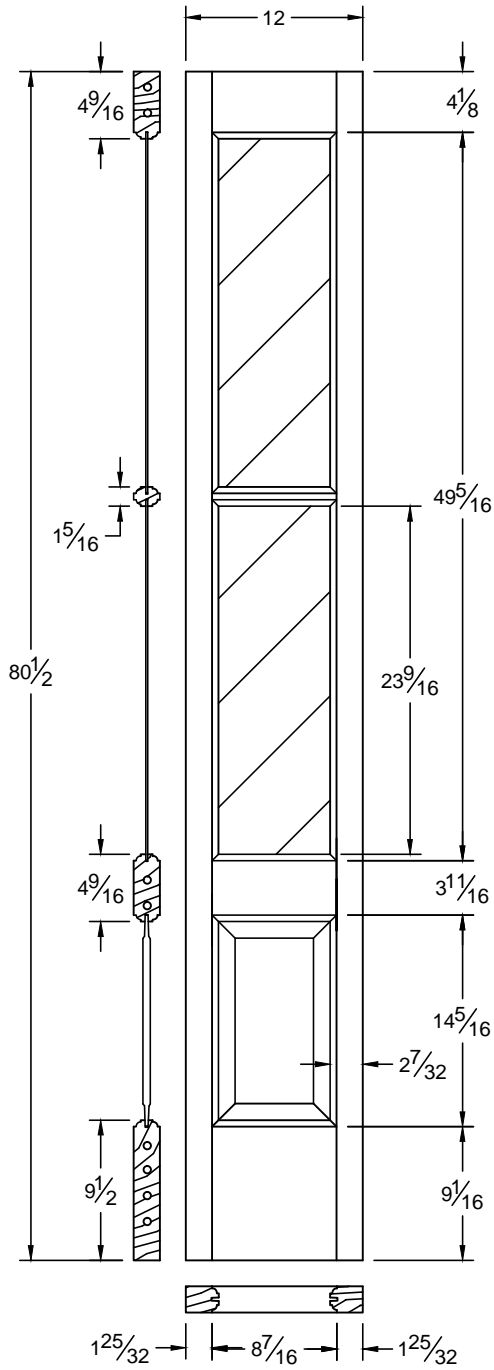
This drawing contains information which is the property of Woodgrain Millwork, Inc. This drawing is received on confidence and contents may not be disclosed without the prior written consent of Woodgrain Millwork, Inc.

1710 / 6710

Draw #:	Ovolo 1710_14_80
Date:	10 - 20 - 12
Drawn By:	T Doughty

  
woodgrain doors



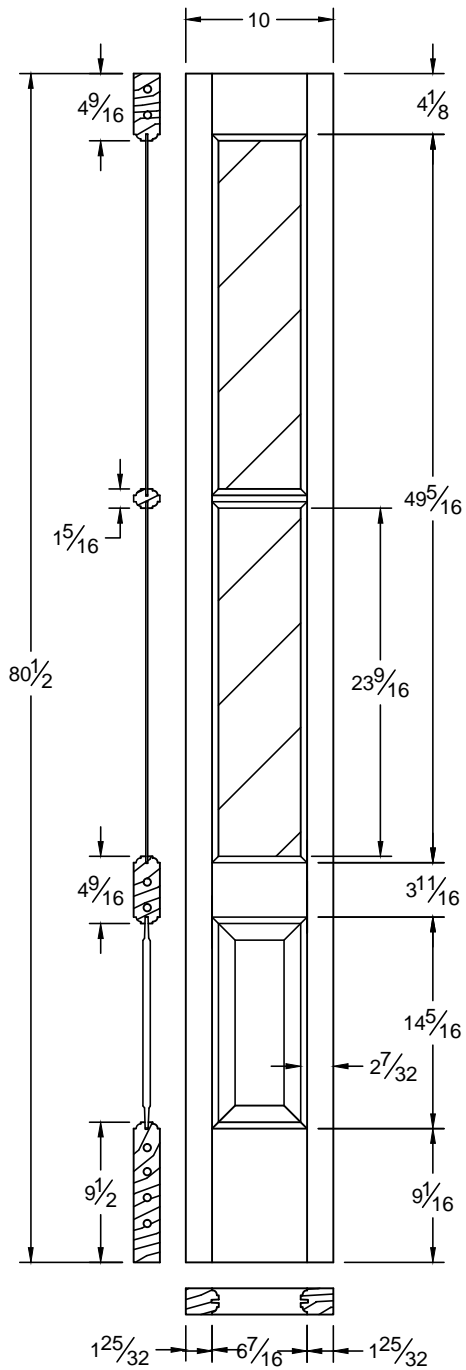


This drawing contains information which is the property of Woodgrain Millwork, Inc. This drawing is received on confidence and contents may not be disclosed without the prior written consent of Woodgrain Millwork, Inc.

**1710 / 6710**

Draw #:	Ovolo 1710_12_80
Date:	10 - 20 - 12
Drawn By:	T Doughty

  
woodgrain doors



This drawing contains information which is the property of Woodgrain Millwork, Inc. This drawing is received on confidence and contents may not be disclosed without the prior written consent of Woodgrain Millwork, Inc.

1710 / 6710

Draw #:	Ovolo 1710_10_80
Date:	10 - 20 - 12
Drawn By:	T Doughty

  
woodgrain doors