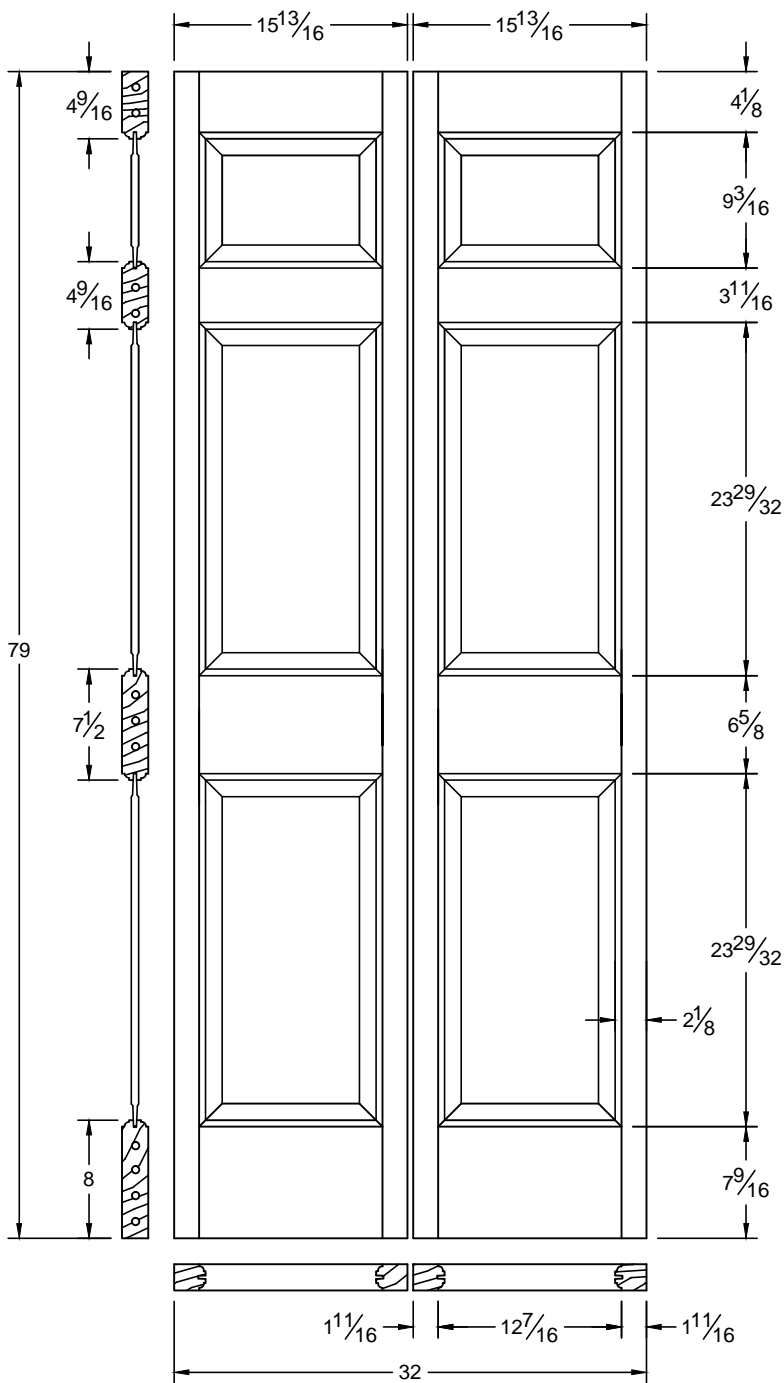


This drawing contains information which is the property of Woodgrain Millwork, Inc. This drawing is received on confidence and contents may not be disclosed without the prior written consent of Woodgrain Millwork, Inc.

108 BF

Draw #:	Ovolo 108_36_79-BF
Date:	03 - 09 - 13
Drawn By:	T Doughty

 woodgrain doors



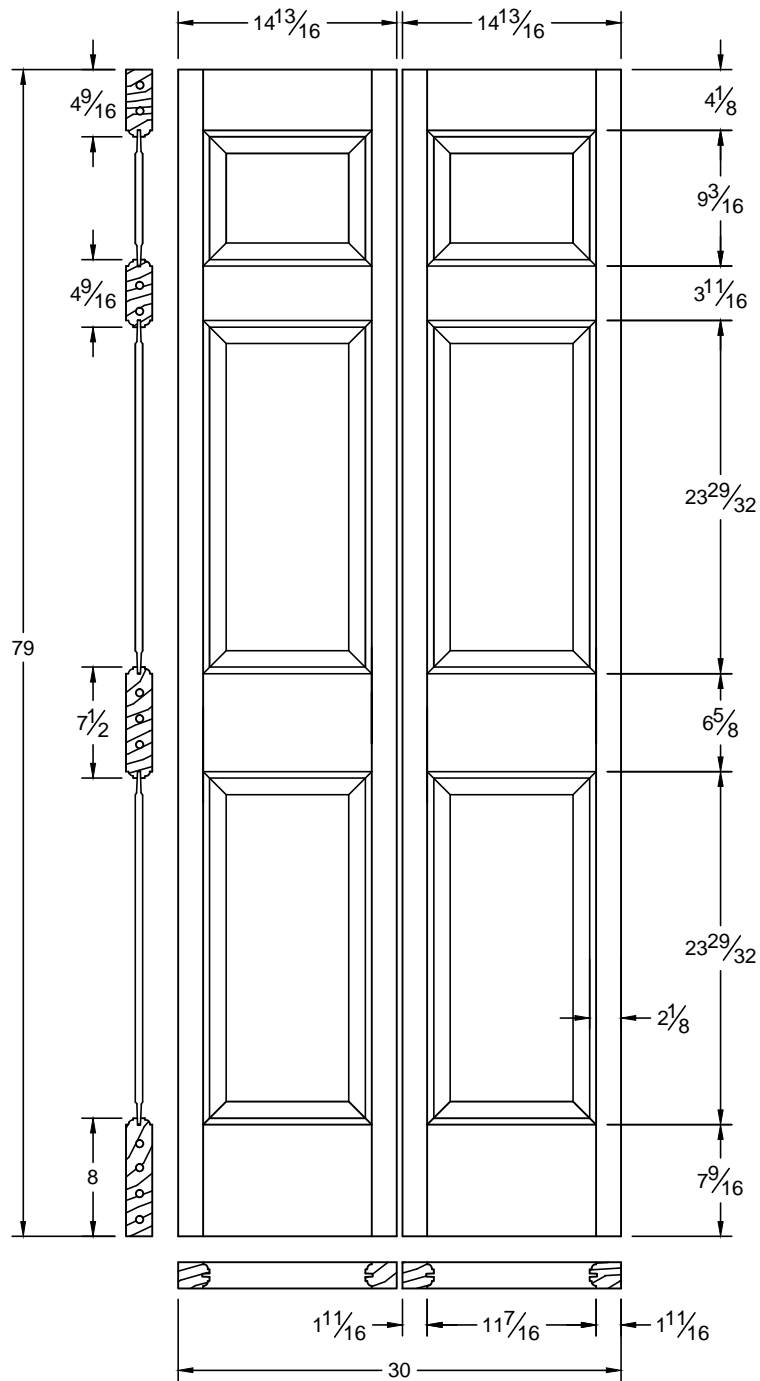
This drawing contains information which is the property of Woodgrain Millwork, Inc. This drawing is received on confidence and contents may not be disclosed without the prior written consent of Woodgrain Millwork, Inc.

108 BF

Draw #:	Ovolo 108_32_79-BF
Date:	03 - 09 - 13
Drawn By:	T Doughty



 woodgrain doors

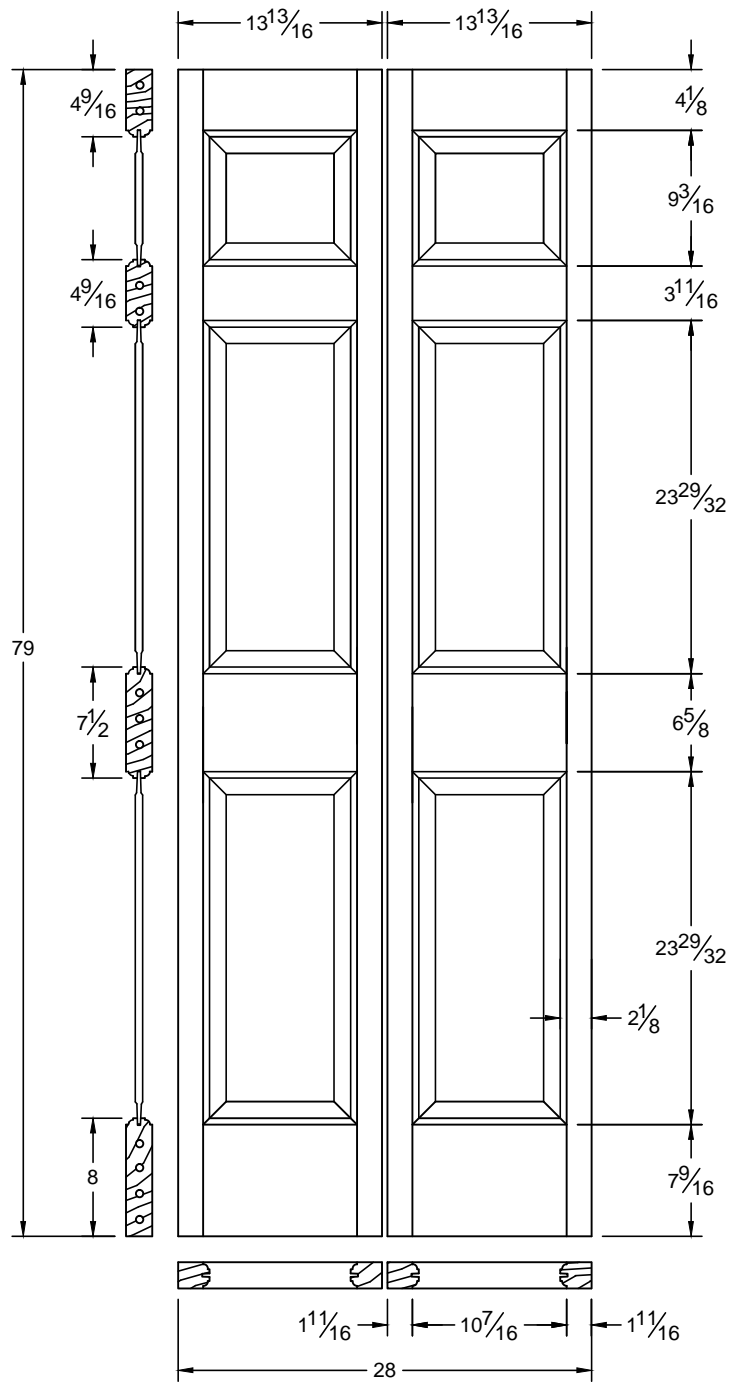


This drawing contains information which is the property of Woodgrain Millwork, Inc. This drawing is received on confidence and contents may not be disclosed without the prior written consent of Woodgrain Millwork, Inc.

108 BF

Draw #:	Ovolo 108_30_79-BF
Date:	03 - 09 - 13
Drawn By:	T Doughty

 woodgrain doors

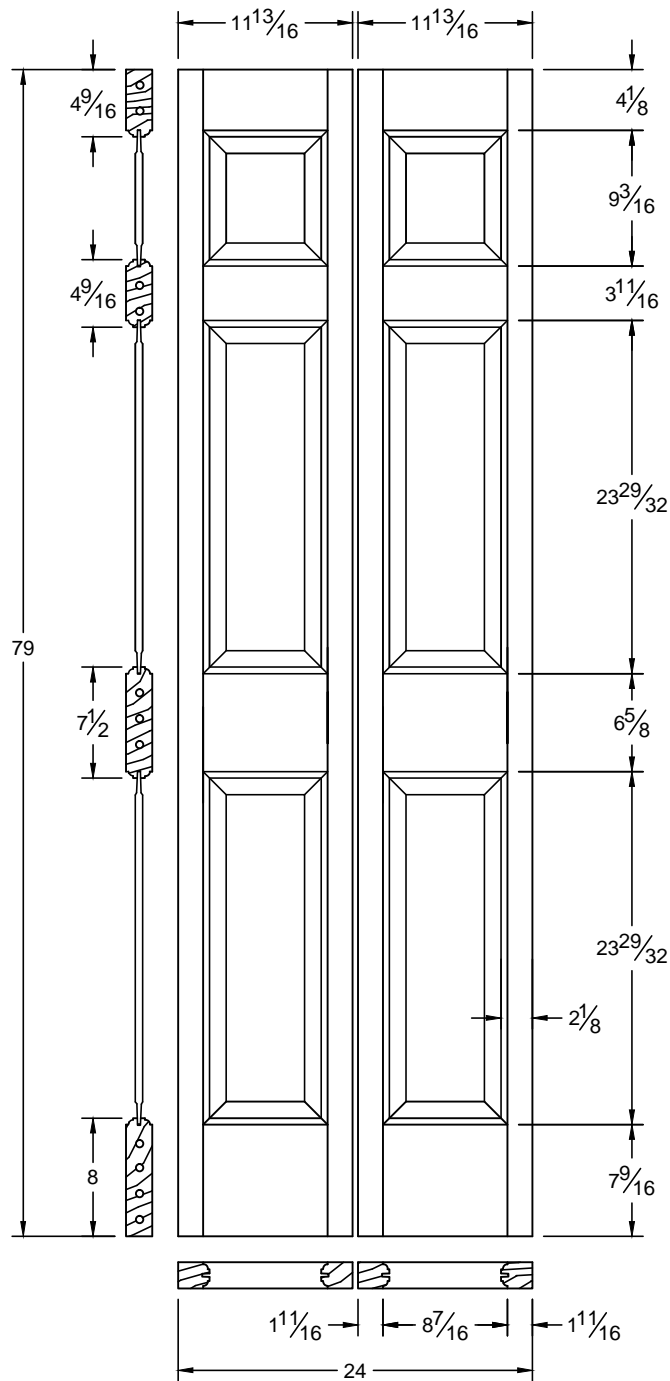


This drawing contains information which is the property of Woodgrain Millwork, Inc. This drawing is received on confidence and contents may not be disclosed without the prior written consent of Woodgrain Millwork, Inc.

108 BF

Draw #:	Ovolo 108_28_79-BF
Date:	03 - 09 - 13
Drawn By:	T Doughty



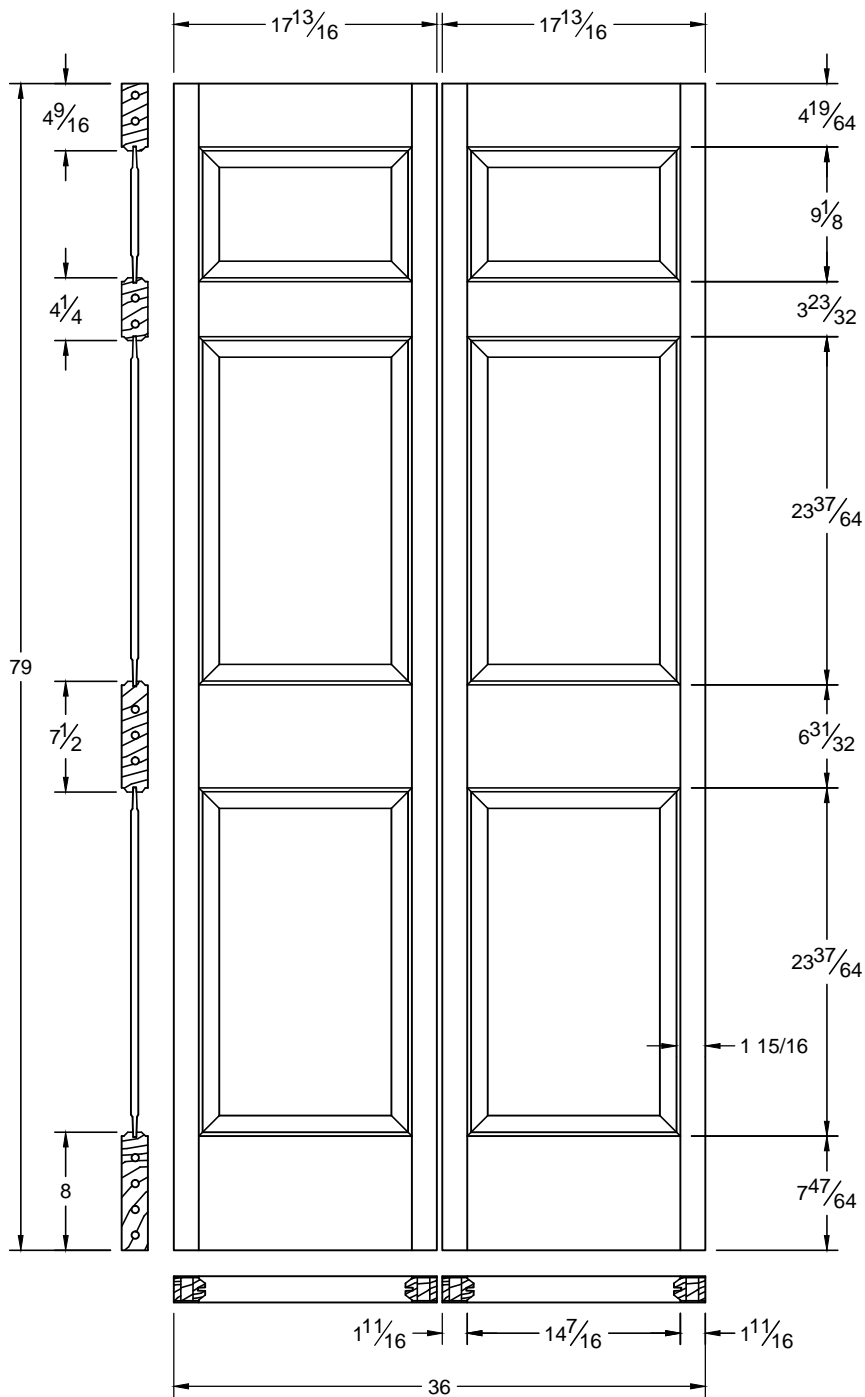


This drawing contains information which is the property of Woodgrain Millwork, Inc. This drawing is received on confidence and contents may not be disclosed without the prior written consent of Woodgrain Millwork, Inc.

108 BF

Draw #:	Ovolo 108_24_79-BF
Date:	03 - 09 - 13
Drawn By:	T Doughty


woodgrain doors

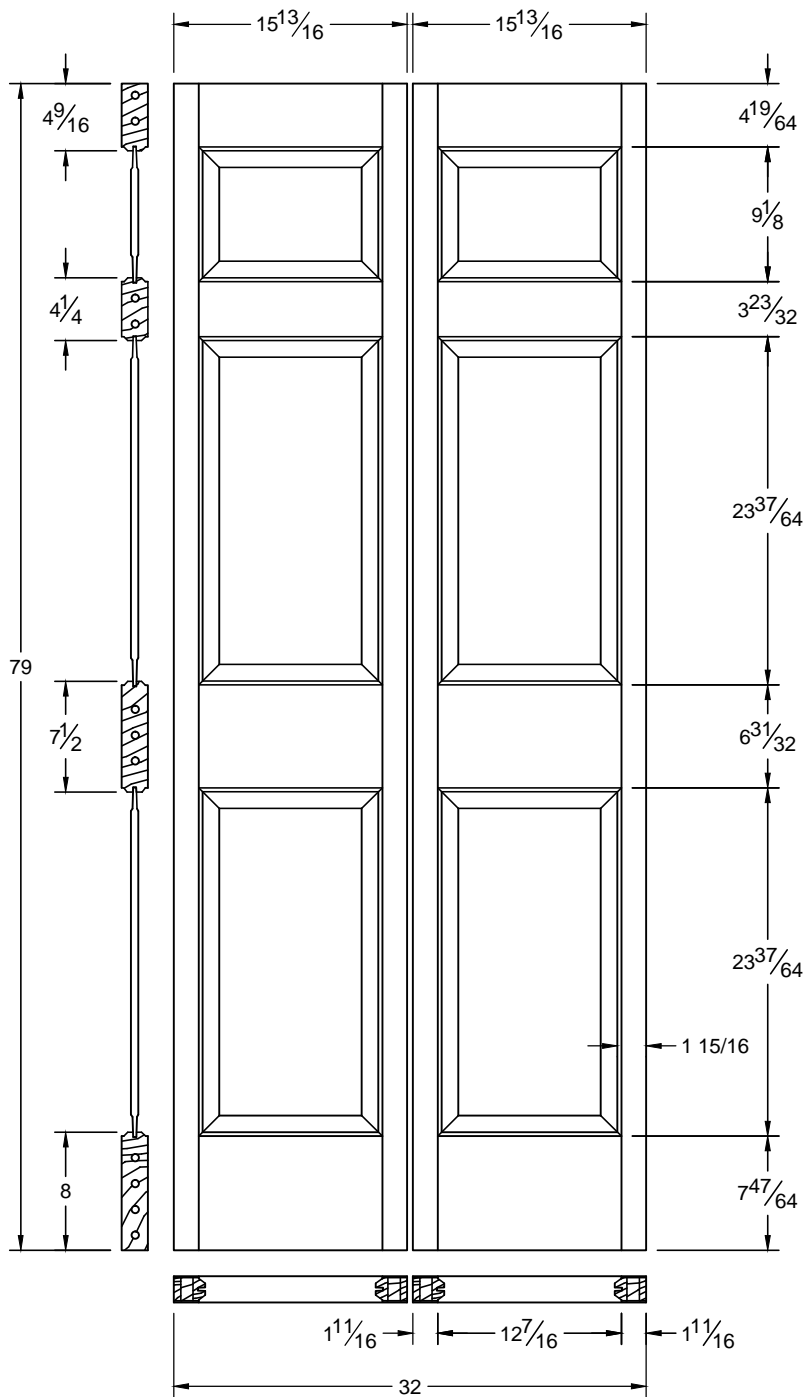


This drawing contains information which is the property of Woodgrain Millwork, Inc. This drawing is received on confidence and contents may not be disclosed without the prior written consent of Woodgrain Millwork, Inc.

108 BF

Draw #:	Taper 108_36_79-BF
Date:	02 - 06 - 13
Drawn By:	T Doughty



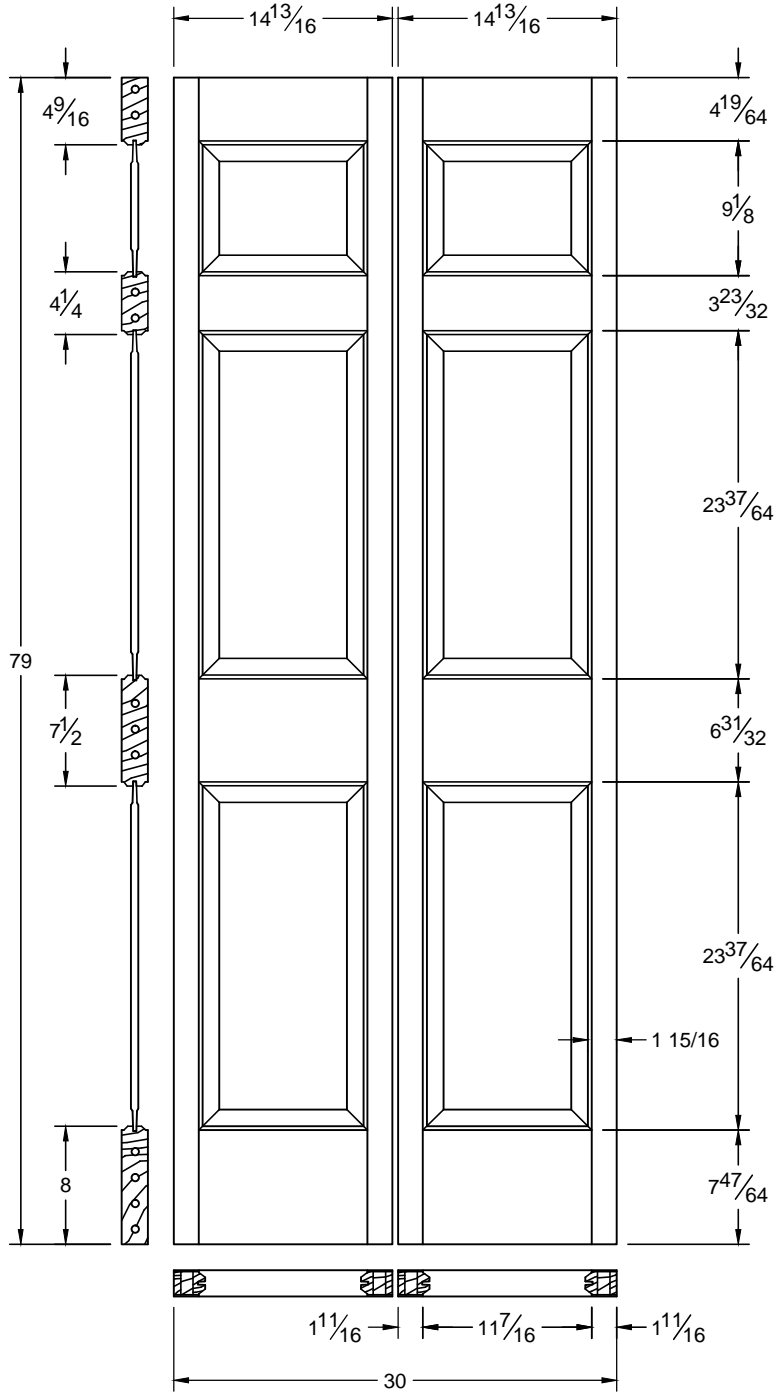


This drawing contains information which is the property of Woodgrain Millwork, Inc. This drawing is received on confidence and contents may not be disclosed without the prior written consent of Woodgrain Millwork, Inc.

108 BF

Draw #:	Taper 108_32_79-BF
Date:	02 - 06 - 13
Drawn By:	T Doughty



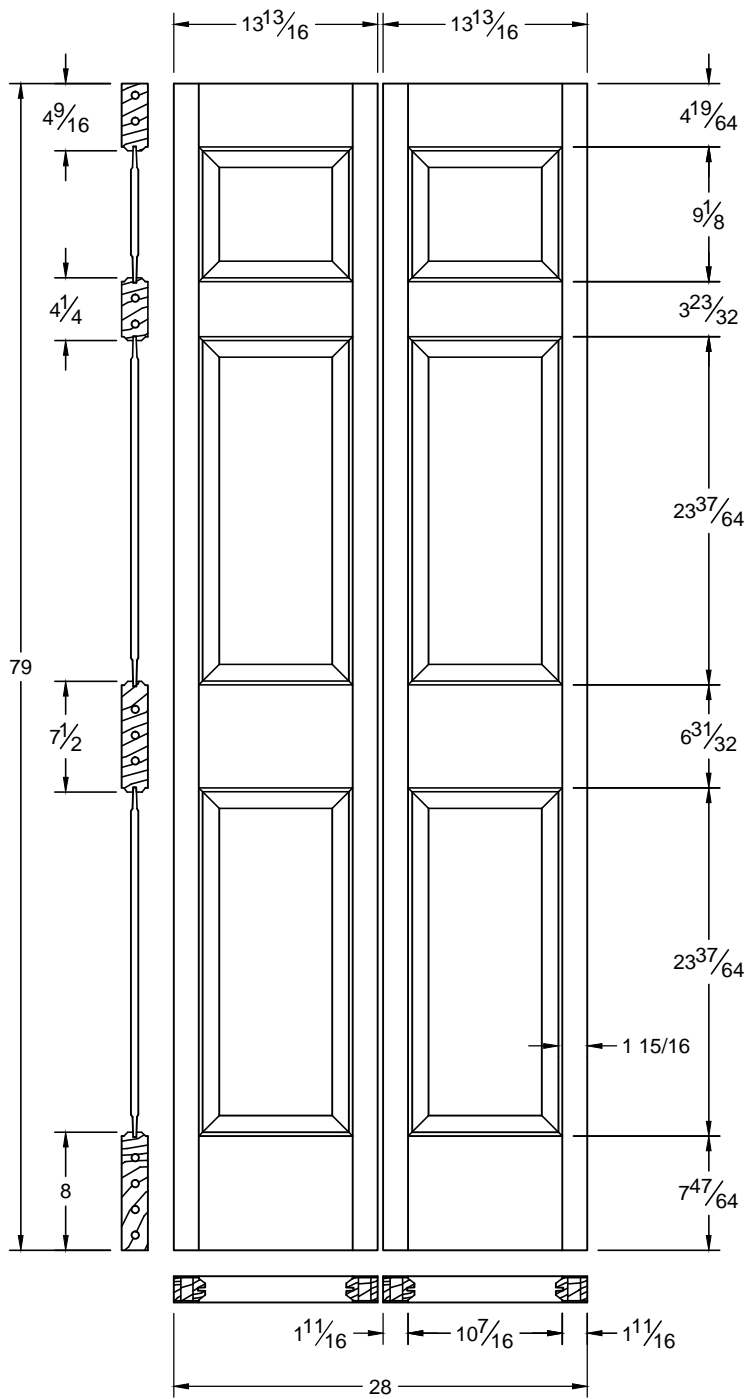


This drawing contains information which is the property of Woodgrain Millwork, Inc. This drawing is received on confidence and contents may not be disclosed without the prior written consent of Woodgrain Millwork, Inc.

108 BF

Draw #:	Taper 108_30_79-BF
Date:	02 - 06 - 13
Drawn By:	T Doughty



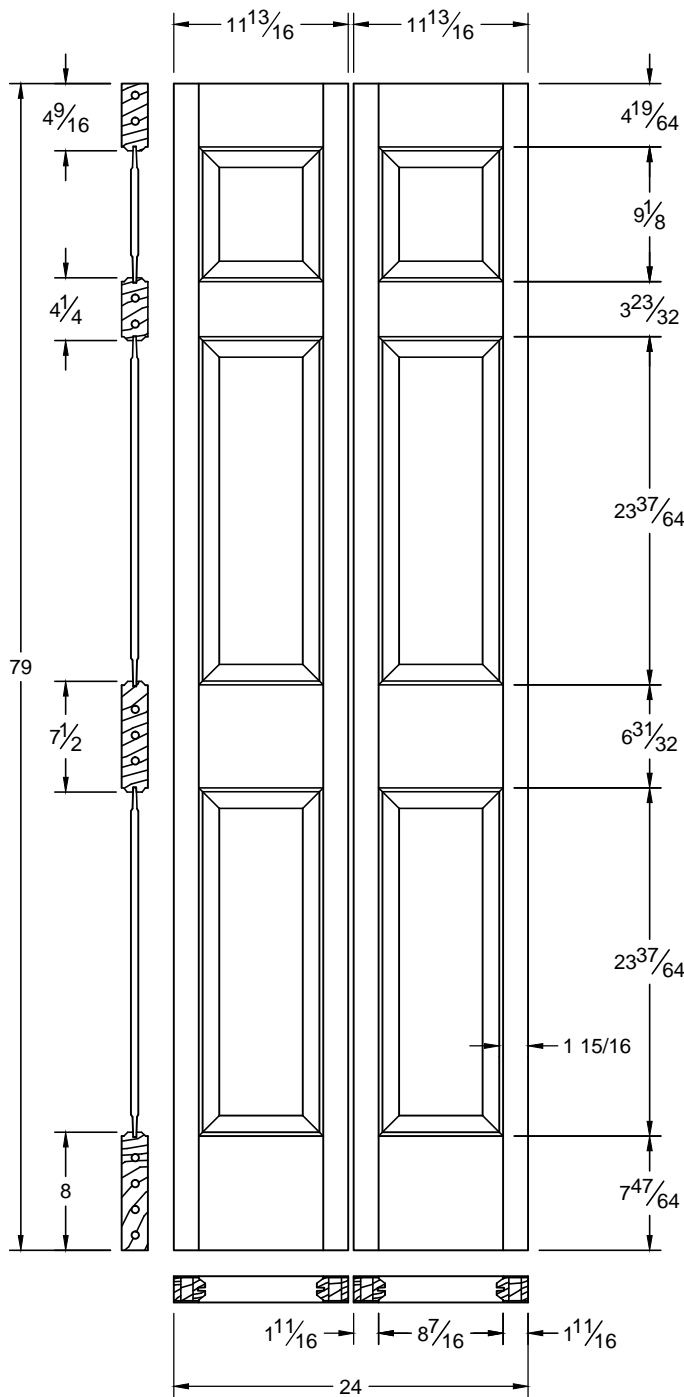


This drawing contains information which is the property of Woodgrain Millwork, Inc. This drawing is received on confidence and contents may not be disclosed without the prior written consent of Woodgrain Millwork, Inc.

108 BF

Draw #:	Taper 108_28_79-BF
Date:	02 - 06 - 13
Drawn By:	T Doughty

 woodgrain doors



This drawing contains information which is the property of Woodgrain Millwork, Inc. This drawing is received on confidence and contents may not be disclosed without the prior written consent of Woodgrain Millwork, Inc.

108 BF

Draw #:	Taper 108_26_79-BF
Date:	02 - 06 - 13
Drawn By:	T Doughty

 woodgrain doors